

# FINELITE High Performance Recessed (HPR LED-EP) 2x4, Surface Mount



Declare.

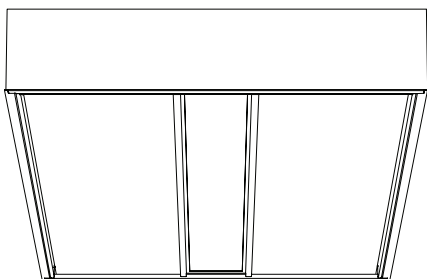


Date

Project

Type

Comments

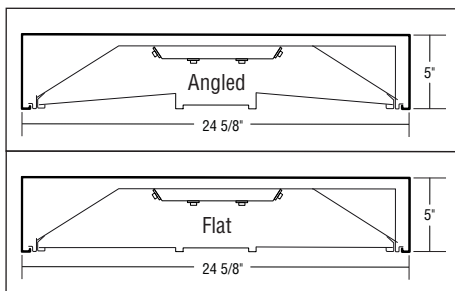


Refer to page 2 for all door styles

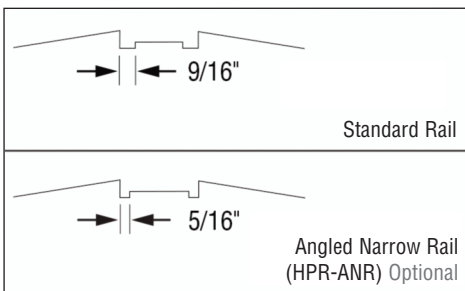
## DESCRIPTION

HPR LED-EP Surface Mount delivers excellent visual comfort and outstanding performance. This luminaire features very uniform illumination of the diffuser. Advanced optical design make HPR LED-EP Surface Mount a powerful solution for low-ceiling applications.

This Product is enrolled in the International Living Future Institute (ILFI) Declare 2.0 Program and is third-party verified with options achieving Red List Approved and Declared status.



Shown with Surface Mount kit



## DIMENSIONS

### NARROW RAIL OPTION

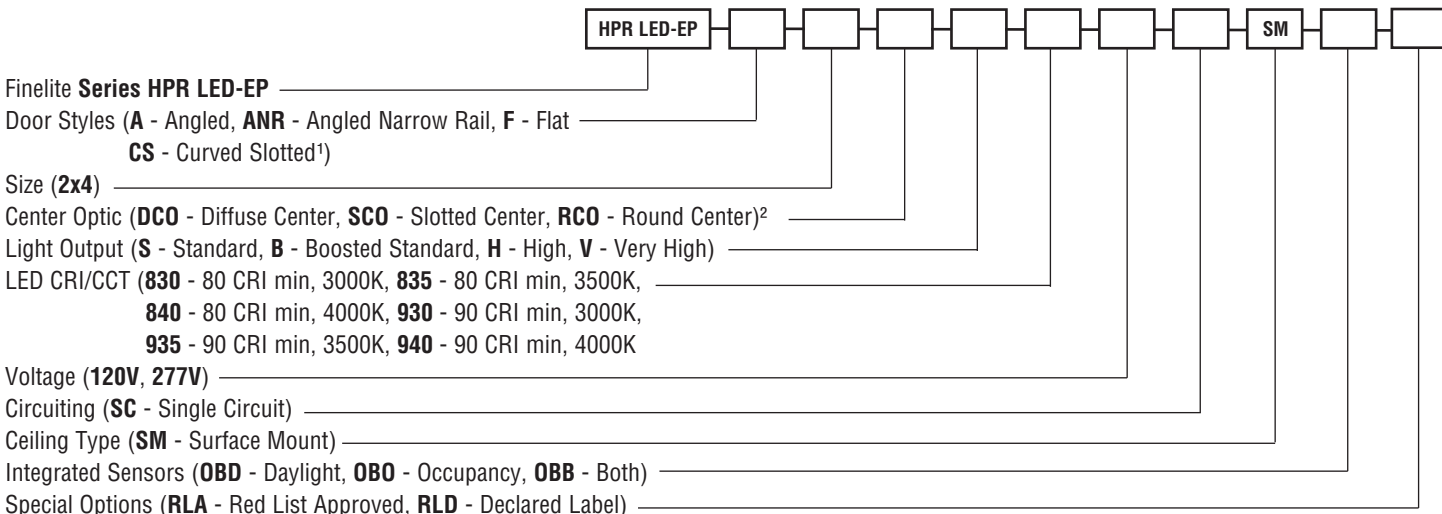
The available angled door style with the same center optic choices. The optional narrow rails are approximately 5/16" wide. The standard center rails are approximately 9/16" wide.

### 100% SERVICEABLE FROM BELOW

The replaceable light engine and driver are easy to access from below the ceiling.

## ORDERING GUIDE

Sample Number: HPR LED-EP - A - 2x4 - DCO - S - 835 - 277V - SC - SM - OBO - RLA



<sup>1</sup> Curved Slotted door not available with Center Optic options  
<sup>2</sup> Only available on Angled (A), Angled Narrow Rail (ANR) and Flat (F) door options

A brand of Legrand

Finelite, Inc. • 30500 Whipple Road • Union City, CA 94587-1530 • (510) 441-1100 • Fax: (510) 441-1510 • www.finelite.com

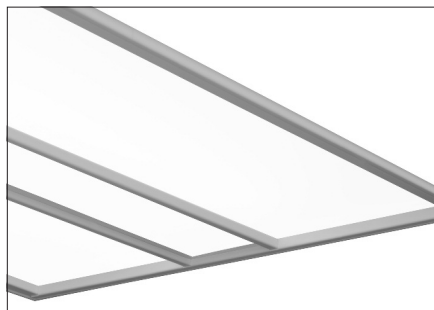
Due to continuing product improvements, Finelite reserves the right to change specifications without notice. Please visit www.finelite.com for most current data.

# FINELITE High Performance Recessed (HPR LED-EP) 2x4, Surface Mount

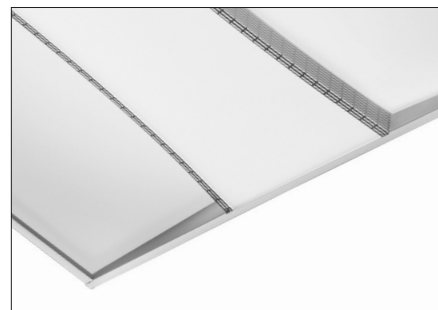
## DOOR STYLES



**A - Angled**  
**ANR - Angled Narrow Rail**



**F - Flat**



**CS - Curved Slotted**

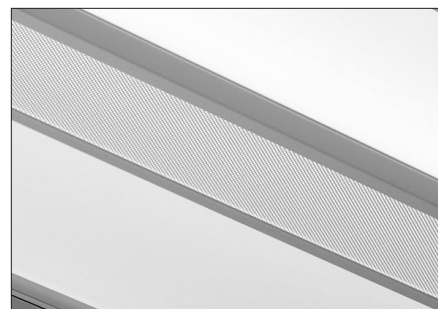
## CENTER OPTICS



**DCO - Diffuse Center**

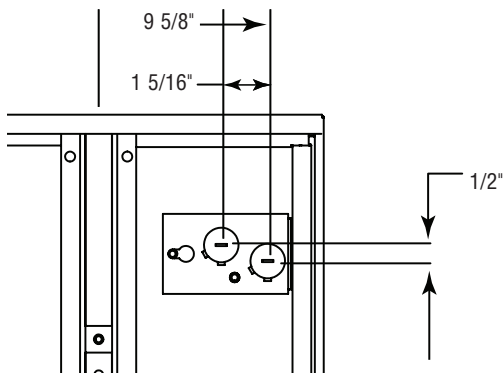


**SCO - Slotted Center**

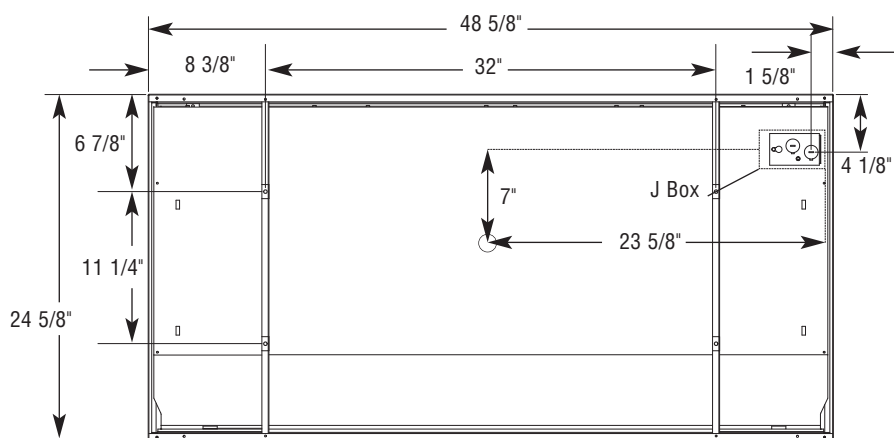


**RCO - Round Center**

## WIRING ACCESS DETAIL



## MOUNTING INFORMATION



A brand of **legrand**

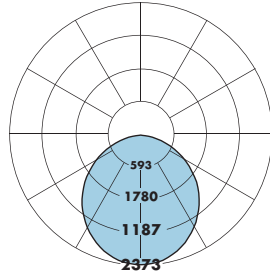
Finelite, Inc. • 30500 Whipple Road • Union City, CA 94587-1530 • (510) 441-1100 • Fax: (510) 441-1510 • [www.finelite.com](http://www.finelite.com)

*Due to continuing product improvements, Finelite reserves the right to change specifications without notice. Please visit [www.finelite.com](http://www.finelite.com) for most current data.*

# FINELITE High Performance Recessed (HPR LED-EP) 2x4, Surface Mount

## PHOTOMETRY

HPR LED-EP-A-2x4-DCO-V  
 Very High Output - Flat Rail  
 Efficacy: 117 lumens per watt  
 Total Luminaire Output: 6444 Lumens  
 55.1 Watts  
 Peak Candela Value: 2373 @ 0°  
 CCT: 3500K  
 ITL LM79 Report: 85146



CANDLEPOWER SUMMARY						
	0.0	22.5	45	67.5	ACROSS	Flux
0	2373	2373	2373	2373	2373	
5	2362	2362	2361	2361	2361	224
10	2323	2325	2324	2324	2326	
15	2261	2261	2263	2263	2262	638
20	2177	2178	2178	2178	2178	
25	2073	2073	2073	2074	2073	955
30	1951	1950	1950	1952	1950	
35	1814	1814	1816	1815	1815	1135
40	1666	1667	1666	1666	1669	
45	1507	1506	1504	1504	1506	1160
50	1336	1335	1333	1332	1337	
55	1160	1158	1155	1150	1146	1031
60	975	972	968	962	958	
65	792	788	777	770	771	770
70	600	596	585	577	575	
75	413	408	397	391	390	424
80	239	234	227	223	222	
85	92	90	87	85	84	105
90	0	0	0	0	0	

Angled (A) and Flat (F) Total Light Output, 3500K, 80 CRI (Lumens)			
S*	B*	H*	V**
3483	4379	5001	6444
Power, 3500K, 80 CRI (Watts)			
S*	B*	H*	V**
27.0	35.2	40.6	55.1
Efficacy, 3500K, 80 CRI (Lumens Per Watt)			
S*	B*	H*	V**
129	124	123	117

Lumen Adjustment Factors - 80 CRI	
3000K	0.985
3500K	1.000
4000K	1.032

Lumen Adjustment Factors - 90 CRI	
3000K	0.746
3500K	0.760
4000K	0.789

Apply a lumen adjustment factor to calculate lumens for the desired CCT and CRI.

\* Family Correlation based on 3500K Very High Output (V) test - 120V.  
 \*\* Based on ITL report: 85146

Angled Narrow Rail (ANR) Total Light Output, 3500K, 80 CRI (Lumens)			
S*	B*	H*	V <sup>†</sup>
3648	4586	5238	6749
Power, 3500K, 80 CRI (Watts)			
S*	B*	H*	V <sup>†</sup>
27.0	35.2	40.7	55.2
Efficacy, 3500K, 80 CRI (Lumens Per Watt)			
S*	B*	H*	V <sup>†</sup>
135	130	129	122

\* Family Correlation based on 3500K Very High Output (V) test - 120V.  
<sup>†</sup> Based on ITL report: 85152

S - Standard Output, B - Boosted Standard Output,  
 H - High Output, V - Very High Output

## SAMPLE LUMEN ADJUSTMENT CALCULATION

High Output (H) Angled (A) & Flat (F)  
 4000K, 90 CRI

Lumen Adjustment Factor = 0.789

Total Light Output =  
 5001 lm x 0.789 = 3946 lm

$$\text{Efficacy} = \frac{3946 \text{ lm}}{40.6 \text{ W}} = 97 \text{ lm/W}$$



# FINELITE High Performance Recessed (HPR LED-EP) 2x4, Surface Mount

## SPECIFICATIONS

**CONSTRUCTION:** Die-formed 20-gauge cold-rolled steel housing. All components are hard-tooled to tolerances of +/- 0.010". UV stabilized weather-strip pile gasket with polypropylene backing. Hinged door frame assembly provides easy access to light arrays and driver compartment for servicing from below. Seismic brackets are integrated into the luminaire assembly.

**REFLECTORS:** Die-formed 20-gauge cold-rolled steel reflectors are finished in 96LG high reflectance matte white powder coat paint.

**OPTICAL SYSTEM:** Components include diffuser panels and a central optic element held in place with a frame constructed from die-formed cold-rolled steel. The diffusers are UV-stabilized and impact-resistant frosted virgin acrylic, 0.120" thick. They are either angled toward the central optic or parallel to the ceiling plane. The standard center rails are approximately 9/16" wide. Optional narrow rails are approximately 5/16" wide.

**DOOR STYLE:** *Curved Slotted (CS) includes perforated rails that slope inward and a diffuse frosted acrylic center optic.*

**CENTER OPTIC OPTIONS:** *Only available with Angled (A), Angled Narrow Rail (ANR), and Flat (F) door styles.*

*Diffuse Center Optic (DCO): UV-stabilized and impact-resistant frosted virgin acrylic.*

*Slotted Center Optic (SCO): Die-formed cold-rolled steel panel with a 1/16" x 1/2" rectangular hole pattern. Virgin acrylic overlay.*

*Round Center Optic (RCO): Die-formed cold-rolled steel panel with precision-punched 3/32" round hole pattern arranged in staggered formation. Virgin acrylic overlay.*

**LIGHT OUTPUT:** Four lumen packages available, Standard (S), Boosted Standard (B), High (H), and Very High (V). A separate chart summarizes lumen distribution and wattage. Light engines are replaceable.

**LUMEN MAINTENANCE:** 90% of initial light output (L90) at 100,000+ hours; 70% of initial light output (L70) at 200,000+ hours

**DRIVER:** Replaceable 120V/277V Constant Current Reduction dimming driver standard. Can be wired dimming or non-dimming. 0-10V dimming controls with a range of 10%- 100%. Dimming to 1% available, consult factory. Driver is fully accessible from below the ceiling. Power Factor: ≥0.9. Total Harmonic Distortion (THD): <20%. Expected driver lifetime: 170,000 hours.

**LUTRON DRIVER OPTIONS:** LUTES1 (Hi-lume 1% EcoSystem with Soft-On, Fade to Black dimming (LDE1 series)); LUTES5 (5-Series 5% EcoSystem (LDE5 Series)), LUT2W (Hi-lume 1% 2-wire, 120V forward phase dimming (LTEA series)); Contact factory for availability of discontinued Lutron drivers, L3DA-3-wire and L3DA EcoSystem.

**ELECTRICAL:** Optional emergency to generator/inverter wiring, internal generator transfer switch, nightlight wiring, step-dimming driver, backup battery. Chicago Plenum option. Factory-choice low-profile backup battery available. Bodine BSL722 battery pack also available. Backup batteries deliver 2305 lumens. One quarter of the 2x4 will be illuminated in emergency mode.

**INTEGRATED SENSORS:** Integrated PIR (Passive Infrared) occupancy and/or daylight sensors available. Refer to Occupancy Sensor and Daylight Sensor tech sheets for more info.



**MOUNTING:** Luminaire is compatible with recessed junction boxes. Electrical connections can be made directly to wiring access plate shown above. Junction boxes can also be placed between mounting bars. Maximum center of feed location from luminaire center is 8 3/4" along the dimension parallel to the mounting bars, and 14" along dimension perpendicular to the mounting bars.

**FINISH:** Housing and door assembly painted with 96 LG high reflectance matte white powder coat paint. Optional adder: Anti-microbial paint. Contact factory.

**FEED:** Optional whips (with flex connectors) supplied in a maximum of 11' lengths. Lead Wires.

**LABELS:** Luminaire and electrical components are ETL-listed conforming to UL 1598 in the U.S.A. and CAN/CSA C22.2 No. 250.0 in Canada. In accordance with NEC Code 410.73 (G), this luminaire contains an internal driver disconnect. Damp Location. Finelite products use electronic components that are RoHS compliant, and the mechanical components of the luminaire have been verified to not knowingly contain any restricted substances listed per RoHS Directive 2011/65/EU. Finelite makes the specification process easy when putting healthier products on your projects. Simply add – RLA (Red List Approved) or – RLD (Declared Label) to your part number.

**WEIGHT:** 33 lbs maximum.

**WARRANTY:** 10-year performance-based warranty on all standard components. Optional accessories such as emergency battery packs are covered by their individual manufacturer warranties.