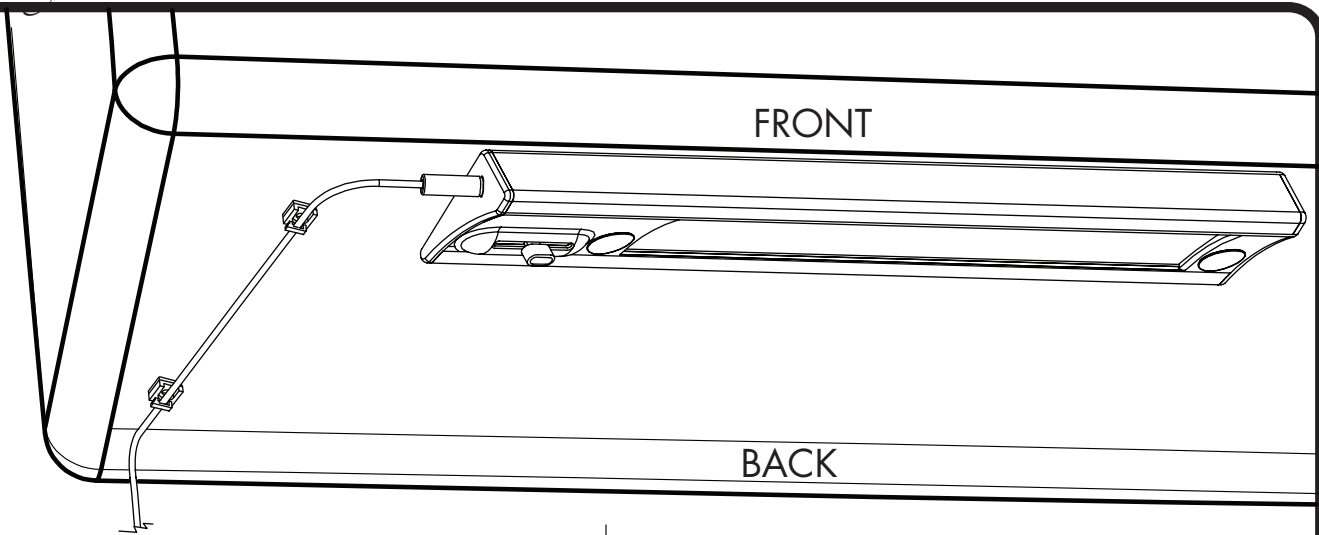
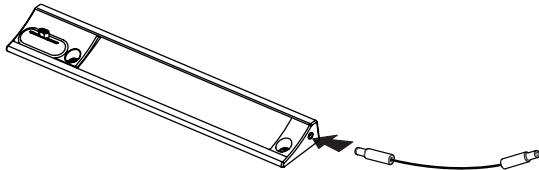


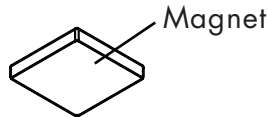
# EDGE *by Finelite*™ CABLE MANAGEMENT INSTALLATION INSTRUCTIONS



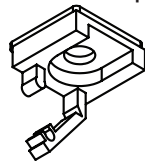
- 1 Take power cord out of plastic bag and attach to undercabinet



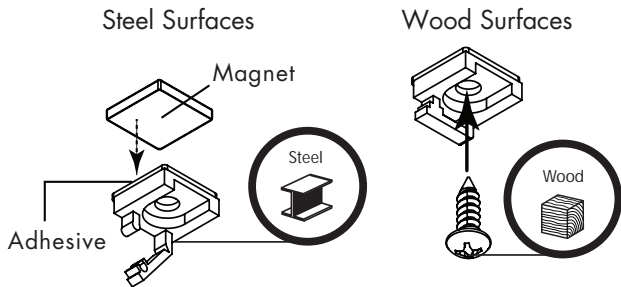
- 2 Empty contents of zip lock bag and pull apart bundled magnets by sliding off of each other (3 supplied)



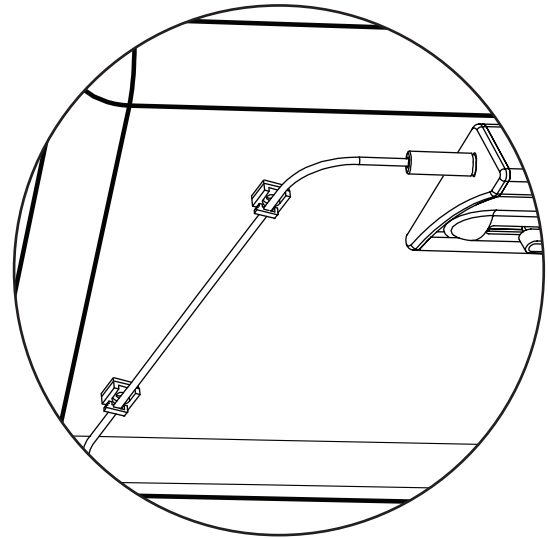
- 3 Remove paper from top of wire clip



- 4 Press and hold magnet to adhesive of wire clip **for 30 seconds.** Use screws for wood surfaces



- 5 Position undercabinet on binder bin and attach magnets to hold cable as shown below



- 6 Once clips are in position close the lever to lock the cord in place



- 7 Attach cord to power supply and turn on switch on power cord