

E2 Indirect/Direct Linear With 6" Canopy Installation Instructions

Overview

NOTES

- All power connections should be installed according to local/national codes by a Certified Electrician.
- This installation requires **proper support** as each luminaire is being installed.
- **DO NOT attempt to join luminaires together on the floor.** Damage may result when lifted.



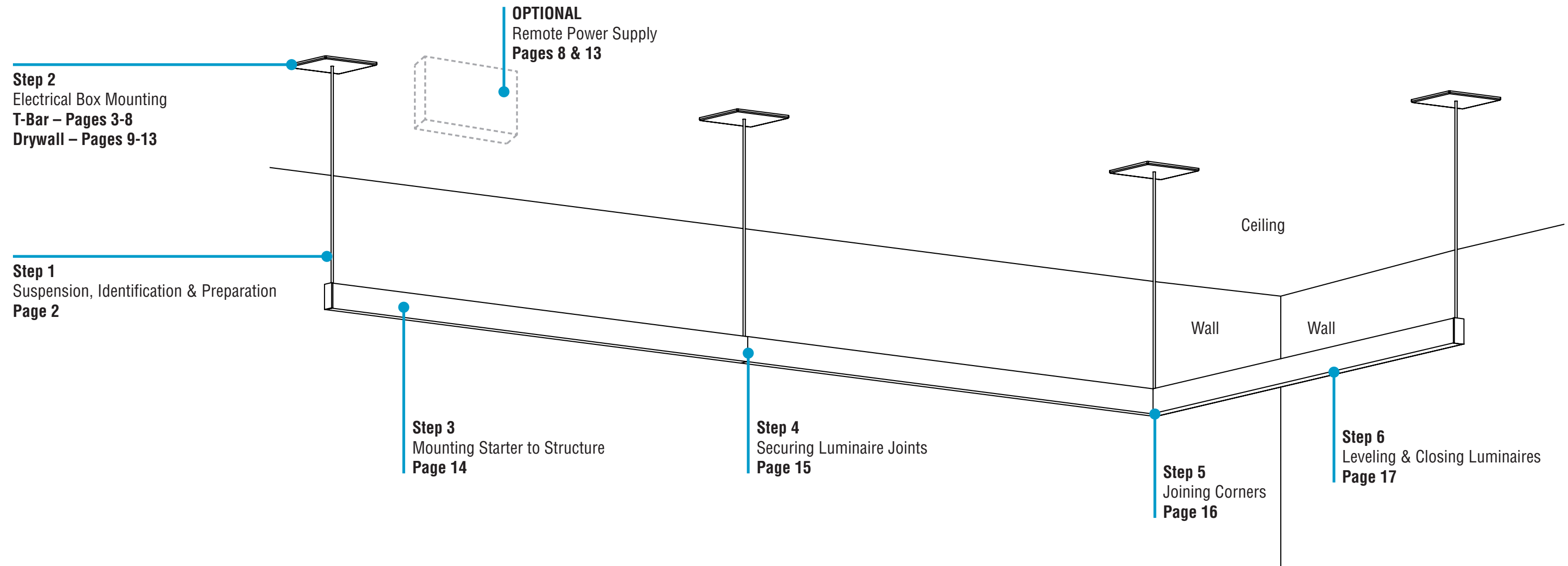
HELPFUL
VIDEOS



0-10V
Dimming



Leveling
System



Step 2
Electrical Box Mounting
T-Bar – Pages 3-8
Drywall – Pages 9-13

Step 1
Suspension, Identification & Preparation
Page 2

Step 3
Mounting Starter to Structure
Page 14

Step 4
Securing Luminaire Joints
Page 15

Step 5
Joining Corners
Page 16

Step 6
Leveling & Closing Luminaires
Page 17

OPTIONAL
Remote Power Supply
Pages 8 & 13

Ceiling

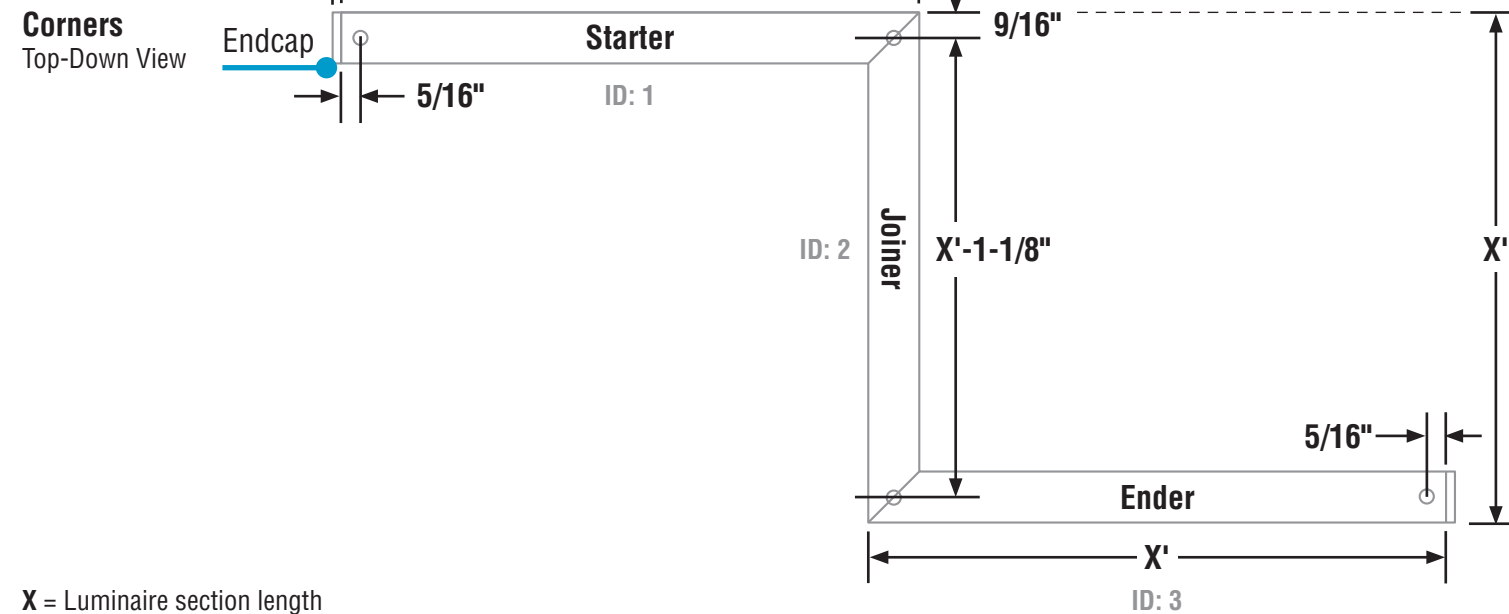
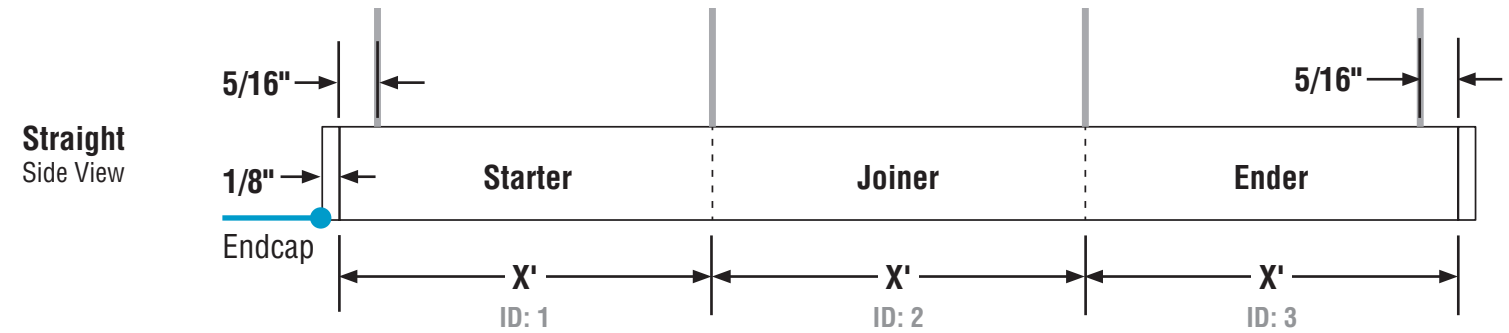
Wall

Wall

E2 Indirect/Direct Linear With 6" Canopy Installation Instructions

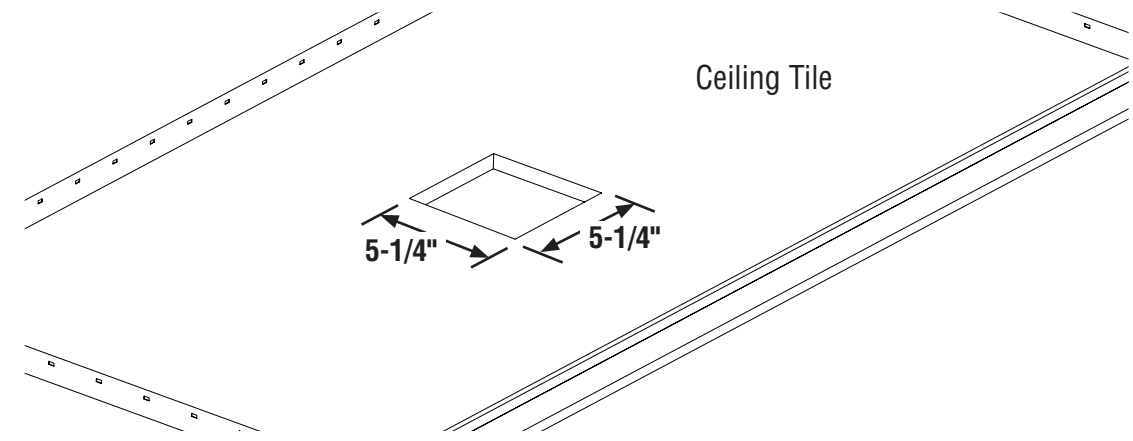
Step 1 – Suspension, Identification & Preparation

Suspension Locations



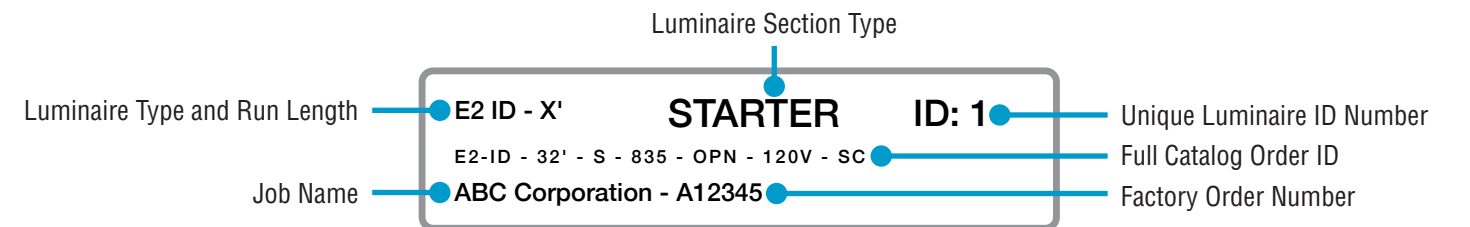
X = Luminaire section length

Rough-In Dimensions



Rough-in dimensions are for both T-Bar and drywall installations.

Identify Luminaires

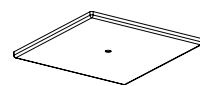


- Remove all luminaires from their box.
- Identify all luminaires by their ID label that can be found on the box, on the reflector bag, and inside the luminaire.

- NOTE:** Exact location of labels in these areas may vary.
- Arrange luminaires in order according to ID# at their install locations.

Kitted Hardware

- Finelite has provided items listed here, with their Finelite part numbers. These items can be found in separate boxes shipped with the luminaire.
- Account for all parts and set aside until they are needed.
- All other hardware needed for this installation will be by others.



Canopy
FL Part# 15720
Leveling & Closing Luminaires
p. 17, Step 6



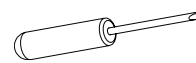
#6-32 x 3/16" Electrical Cover Screw
FL Part# 62550
Electrical Box Mounting - T-Bar
p. 3 & 7, Step 2
Electrical Box Mounting - Drywall
p. 9, Step 2
Mounting Starter to Structure
p. 14, Step 2



#10-32 x 3/8" Lid Screw
FL Part# 92108
Electrical Box Mounting - T-Bar
p. 3, Step 2
Remote Power Supply (PS) - T-Bar
p. 8, Step 2
Electrical Box Mounting - Drywall
p. 9, Step 2



#8-32 x 3/8" Joint Screw
FL Part# 92220
Securing Luminaire Joints
p. 15, Step 4
Joining Corners
p. 16, Step 5



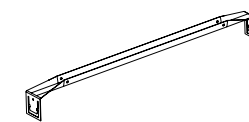
Flathead Screwdriver
FL Part# 15693
Mounting Starter to Structure
p. 14, Step 3



#10-32 x 3/16" Set Screw
FL Part# 15692
Mounting Starter to Structure
p. 14, Step 3



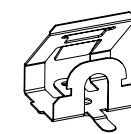
Retention Collar
Part# 15818 for 2-4 cond
Part# 15819 for 5 cond
Mounting Luminaire Assembly
p. 14, Step 3



T-Bar Hanger
FL Part# 94077
Part# 512 HD
Electrical Box Mounting - T-Bar
p. 5-7, Step 2



Drywall Bar Hanger
FL Part# 64218
Part# TSGB24
Electrical Box Mounting - Drywall
p. 10-12, Step 2



Bar Hanger Channel
FL Part# 68250
Part# TSGLD1
Electrical Box Mounting - Drywall
p. 11-12, Step 2

NOTE: Items listed here are by others ("Part#") but are also available from Finelite upon request ("FL Part#").

E2 Indirect/Direct Linear With 6" Canopy Installation Instructions

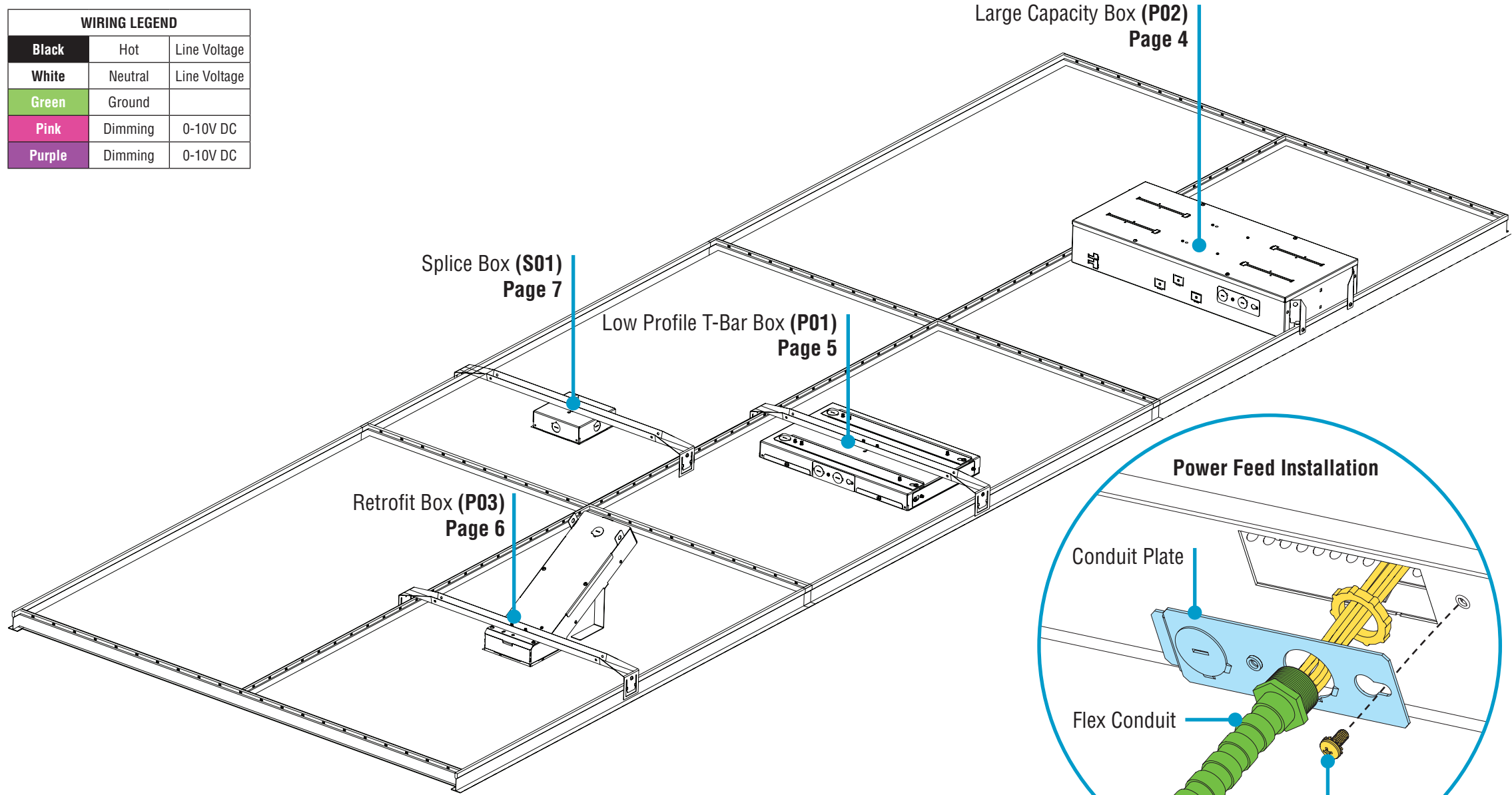
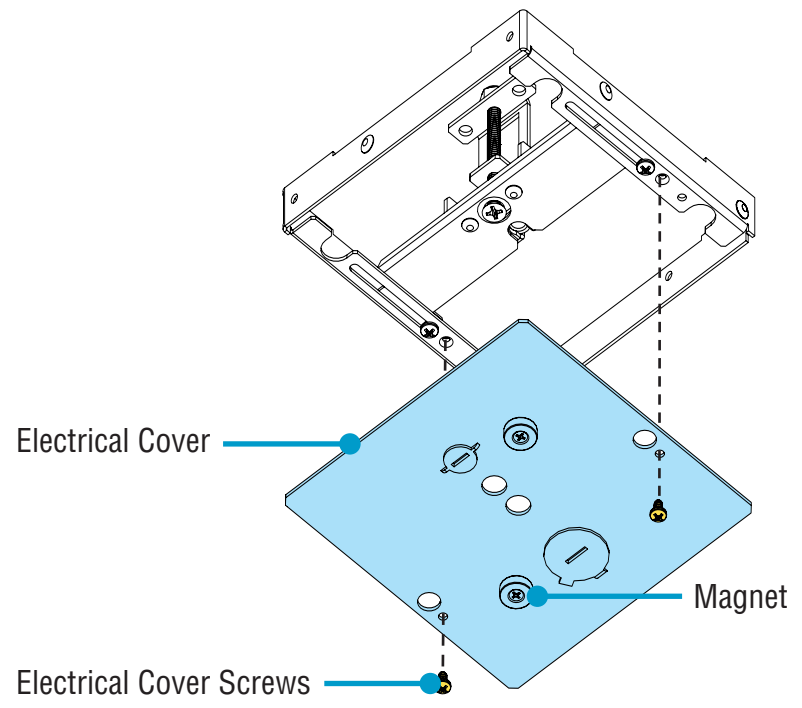
Step 2 – Electrical Box Mounting – T-Bar

Overview


Power Electrical Cover


T-Bar Installation

WIRING LEGEND		
Black	Hot	Line Voltage
White	Neutral	Line Voltage
Green	Ground	
Pink	Dimming	0-10V DC
Purple	Dimming	0-10V DC

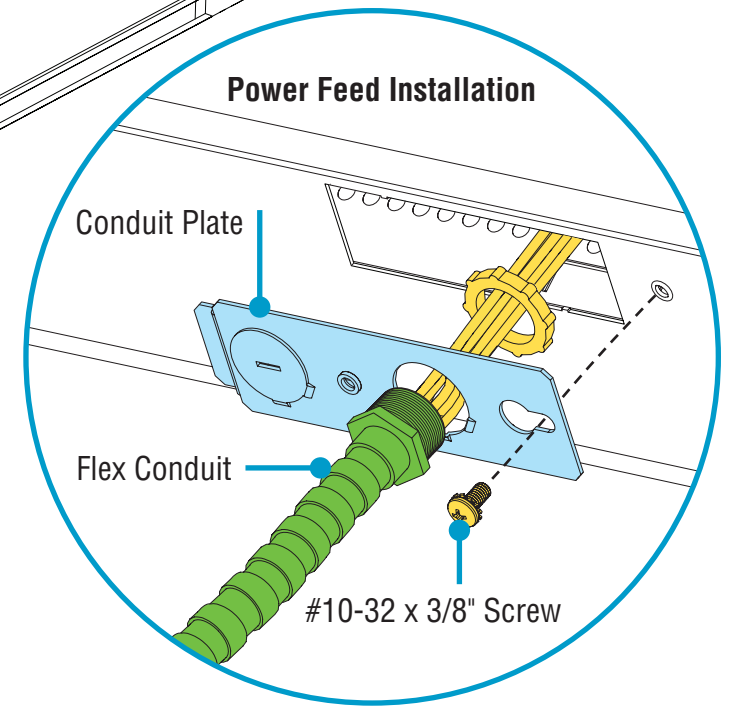


• Prior to starting power box installation, remove electrical cover from collar.

 **Electrical Cover Screw**
#6-32 x 3/16" (provided)

 **#10-32 x 3/8" Screw**
(provided)

 **Flex Conduit**
(by others)



0-10V
Dimming

E2 Indirect/Direct Linear With 6" Canopy Installation Instructions

Step 2 – Electrical Box Mounting – T-Bar

Large Capacity Power Supply (PS) Box

Overview

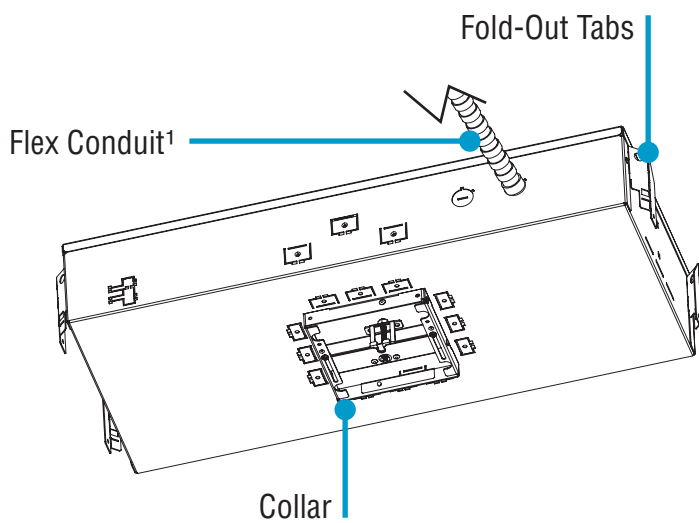
For luminaire configurations with any of the following:



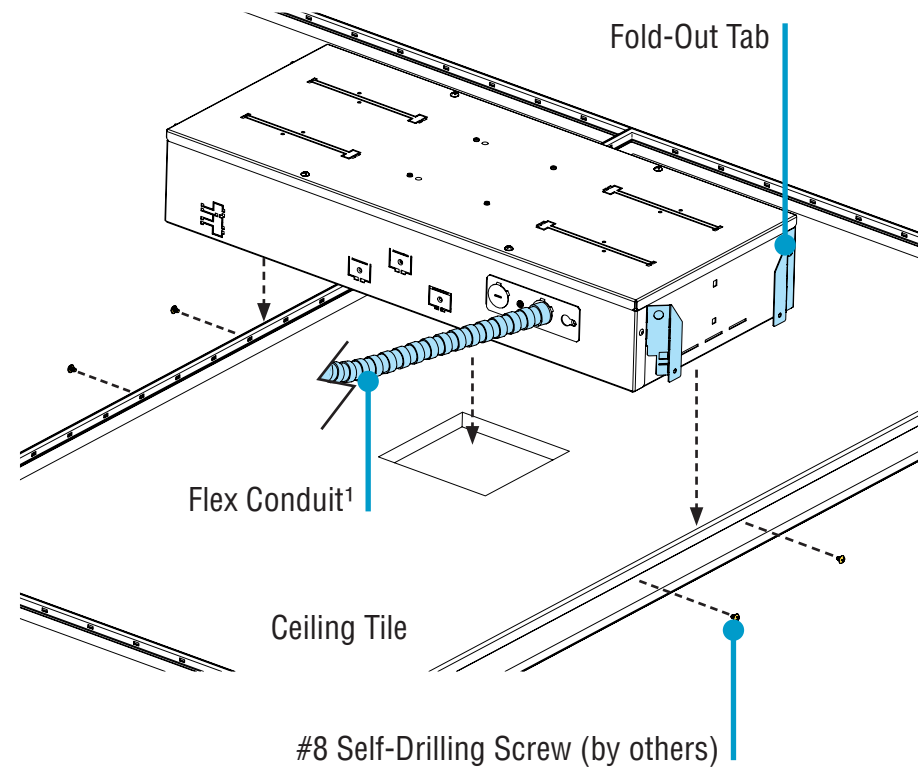
CAUTION

- Emergency to generator/inverter wiring
- Internal generator transfer switch
- Nightlight wiring
- Step-dimming driver
- Backup battery

The Large Capacity PS Box (P02) provides **more than one** power supply output source. To reduce the risk of electric shock, disconnect **both** normal and emergency sources within this unit before servicing any equipment connected to this unit.

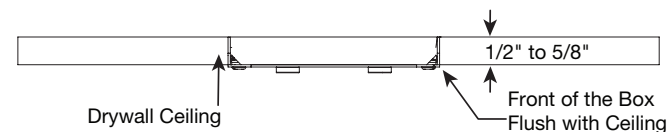


A. Place on Ceiling Tile Top-Down View



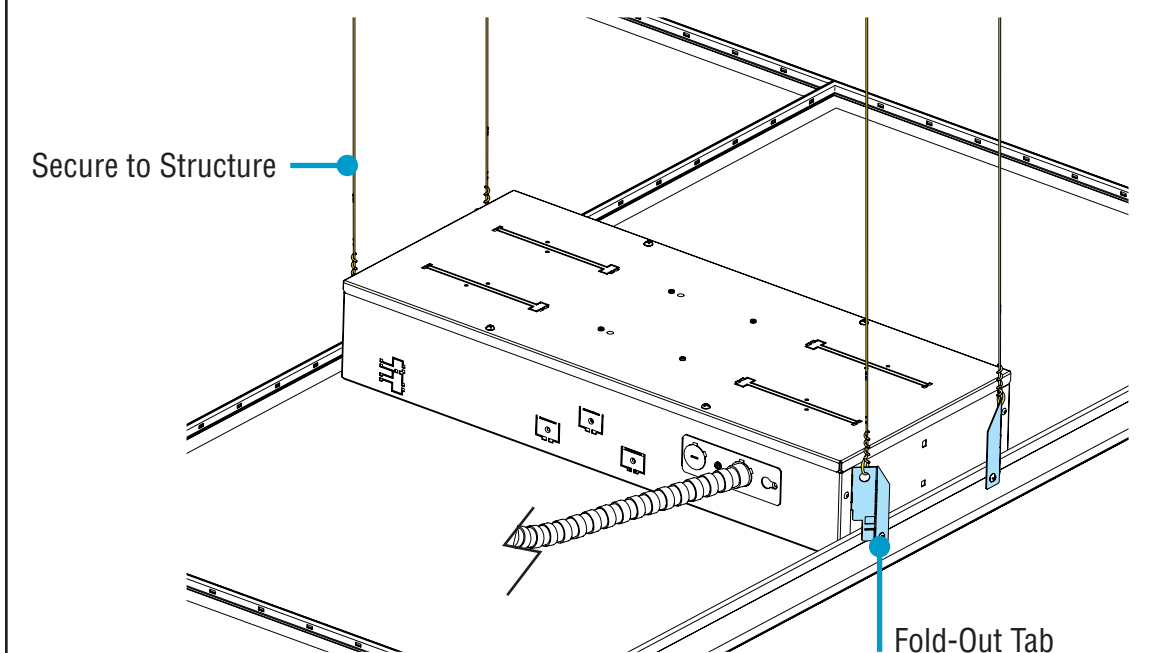
CAUTION

Collar must be flush with bottom of ceiling tile.



- Install Large Capacity PS Box onto ceiling tile and align collar with rough-in opening.
- Secure fold-out tabs to T-Bars using four #8 self-drilling screws.
- Apply flex conduit¹ to power feed knockout.

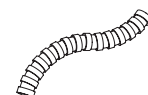
B. Secure to Structure Top-Down View



- Secure Large Capacity PS Box to structure using the fold-out tabs, per building code.



#8 Self-Drilling Screw
(by others)



Flex Conduit
(by others)

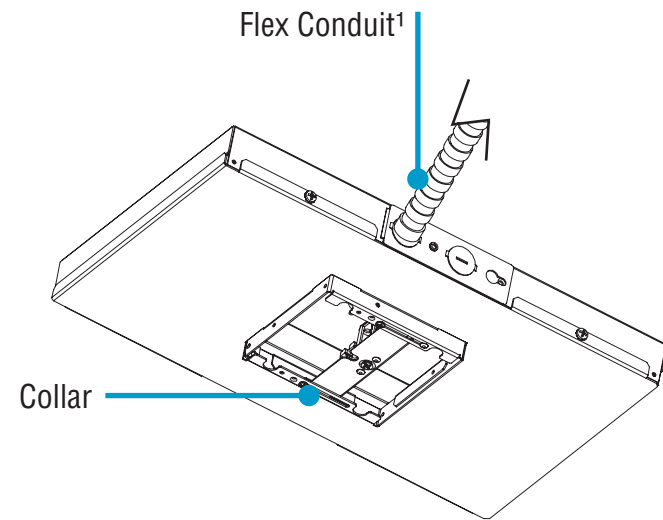
¹ Preferred power feed location shown.

E2 Indirect/Direct Linear With 6" Canopy Installation Instructions

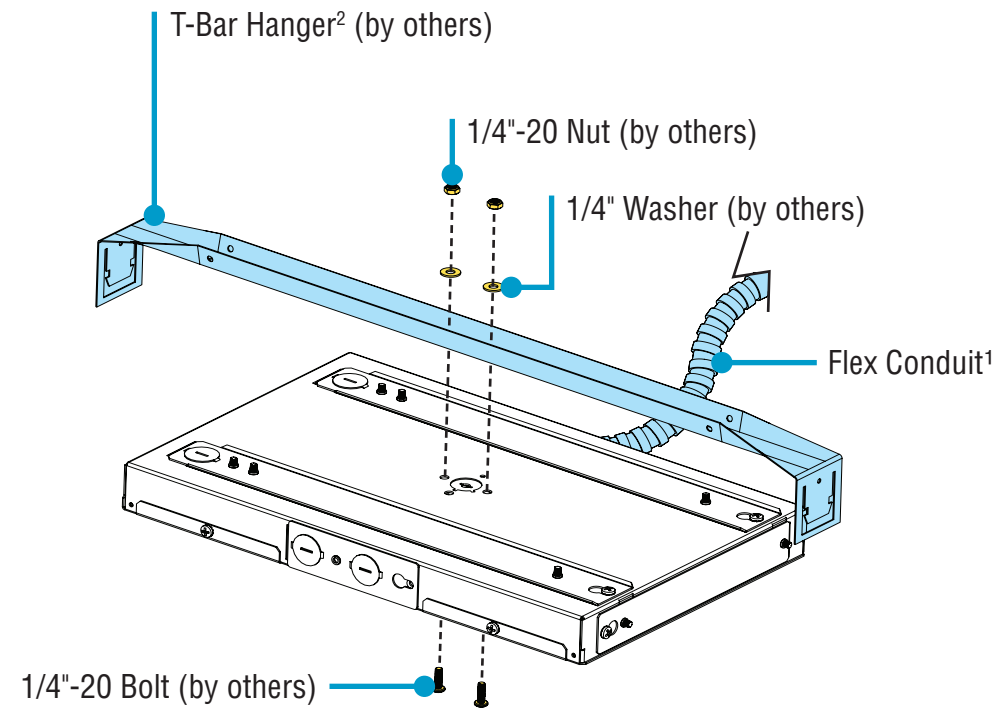
Step 2 – Electrical Box Mounting – T-Bar

Low Profile T-Bar Power Supply (PS) Box

Overview

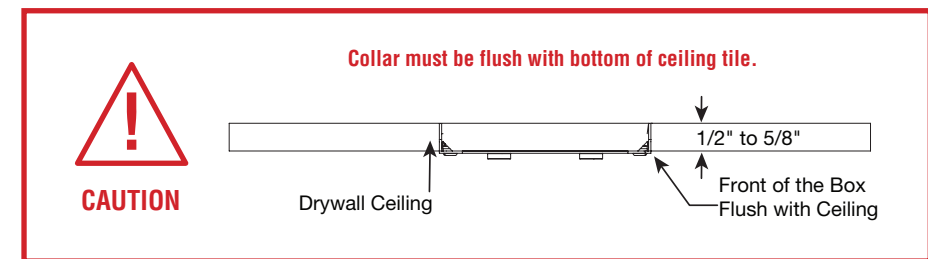
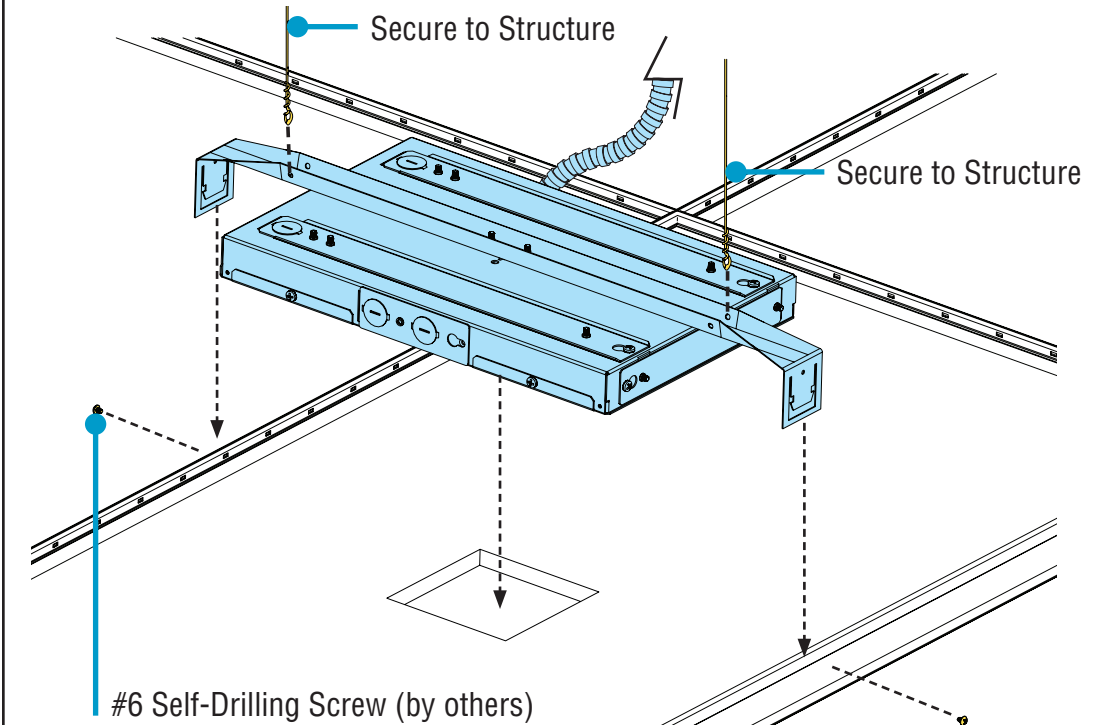


A. Install Bar Hanger Top-Down View



- Install T-Bar hanger² to Low Profile PS Box using two each of 1/4"-20 nuts, 1/4" washers and 1/4"-20 bolts.
- Apply flex conduit¹ to power feed knockout.

B. Place on Ceiling Tile Top-Down View



- Place Low Profile PS Box onto ceiling tile and align collar with rough-in opening.
- Clip the bar hanger² onto T-Bars.
- Secure bar hanger to T-Bars using two #6 self-drilling screws.
- Secure Low Profile PS Box to structure using bar hanger holes, per building code.

#6 Self-Drilling Screw (by others)

1/4" Washer (by others)

1/4"-20 Bolt (by others)

T-Bar Hanger² (by others)

Flex Conduit (by others)

1/4"-20 Nut (by others)

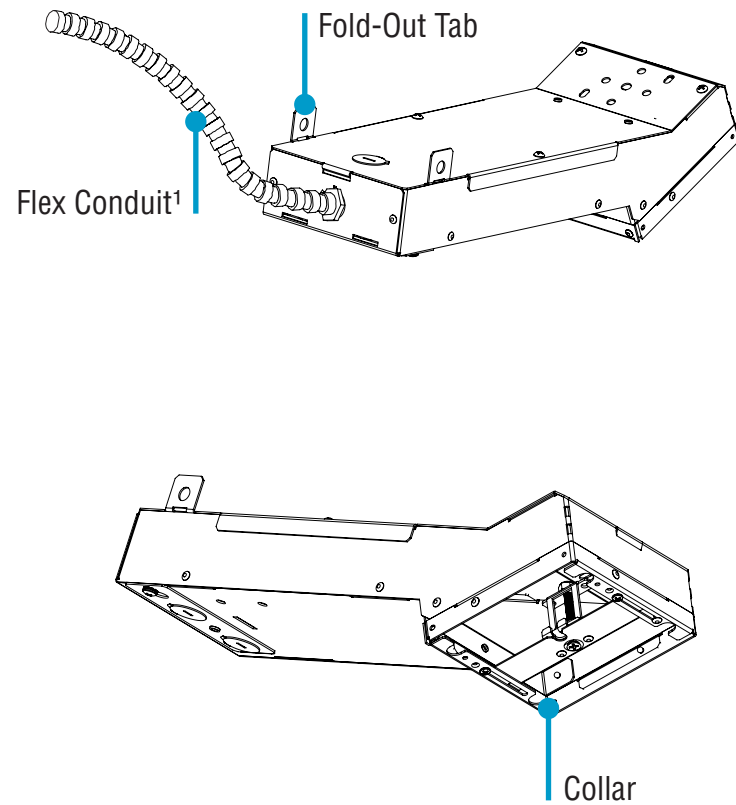
¹ Preferred power feed location shown.
² Part by others but also available from Finelite upon request.

E2 Indirect/Direct Linear With 6" Canopy Installation Instructions

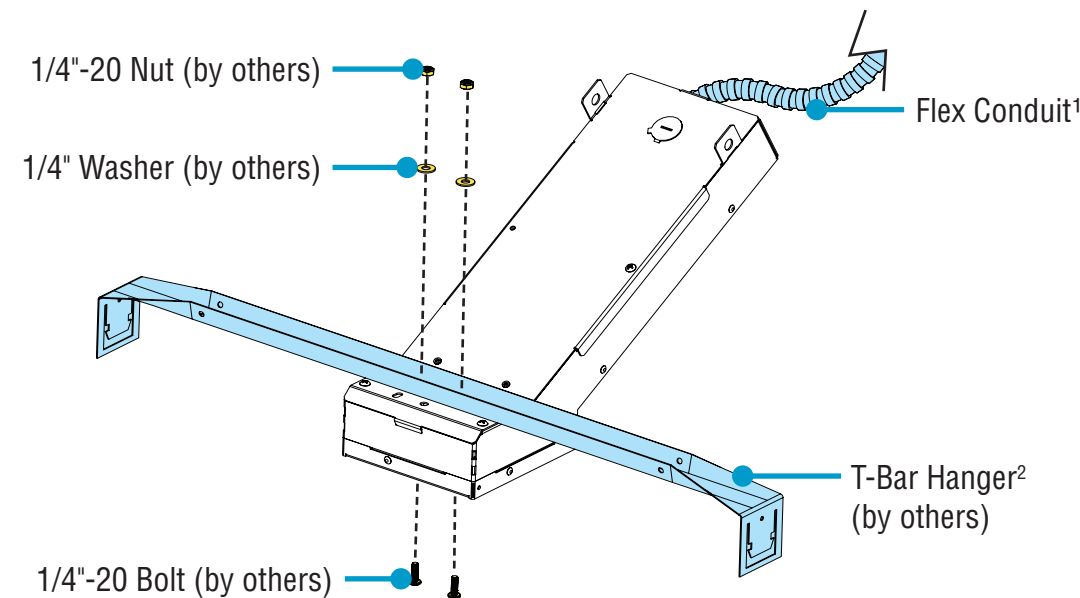
Step 2 – Electrical Box Mounting – T-Bar

Retrofit Power Supply (PS) Box

Overview

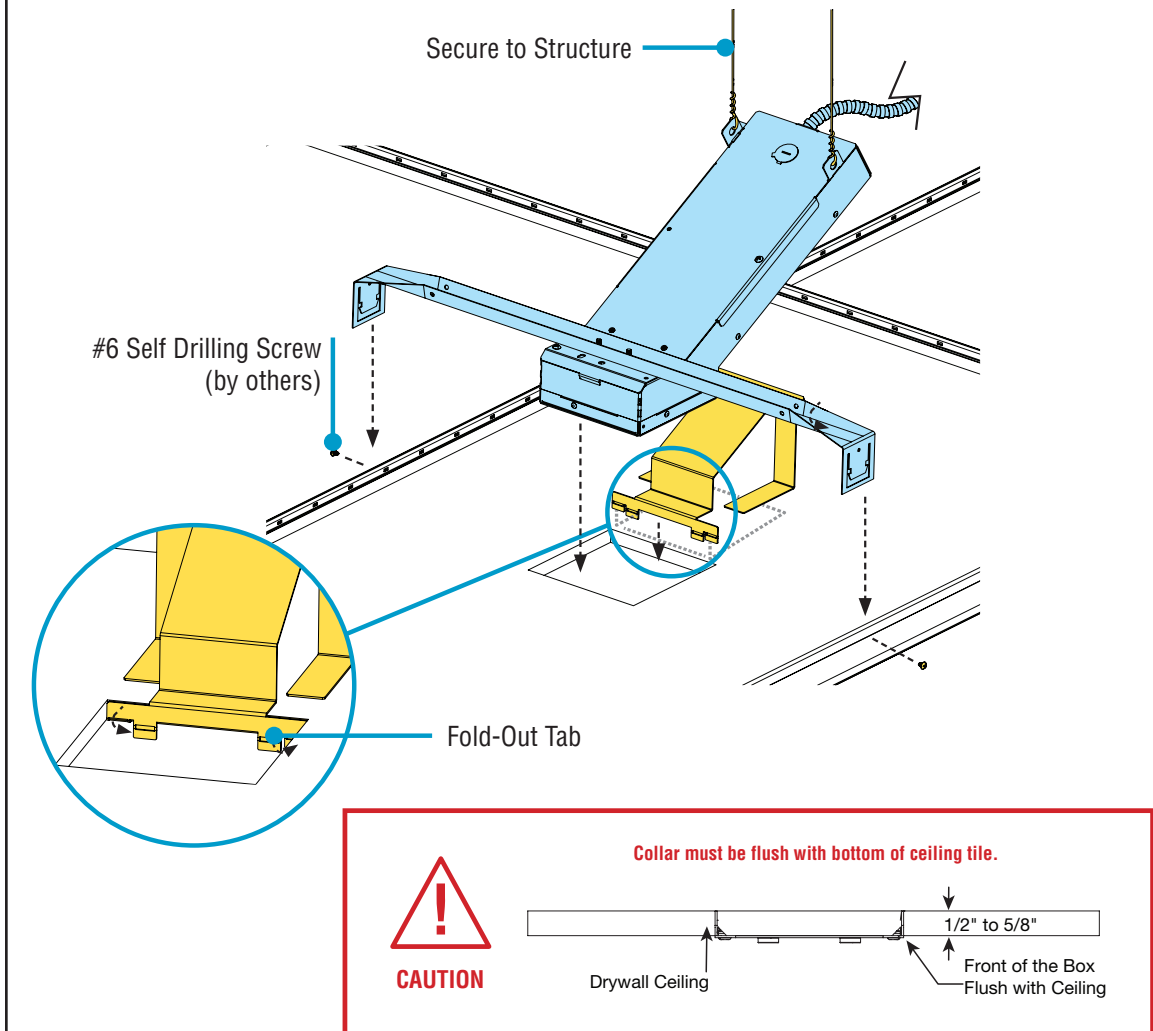


A. Install Bar Hanger Top-Down View




- Install T-Bar hanger² to Retrofit PS box using two each 1/4"-20 nuts, 1/4" washers and 1/4"-20 bolts.
- Apply flex conduit¹ to power feed knockout.


B. Place on Ceiling Tile Top-Down View

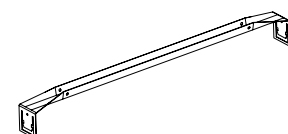


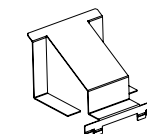
- Place base support on ceiling tile, at edge of rough-in opening.
- Select the two tabs appropriate for the thickness of your ceiling tile (1/2" or 5/8") and fold them over the edge of the rough-in opening.
- Clip off and discard the remaining two tabs.
- Rest the Retrofit PS Box onto the base support and clip the bar hanger² onto the T-Bars.
- Secure bar hanger to T-Bars using two #6 self drilling screws.
- Secure PS box to structure using fold-out tabs, per building code.

 #6 Self Drilling Screw (by others)

 1/4" Washer (by others)

 1/4"-20 Bolt (by others)

 T-Bar Hanger² (by others)

 Base Support (provided)

¹ Preferred power feed location shown.
² Part by others but also available from Finelite upon request.

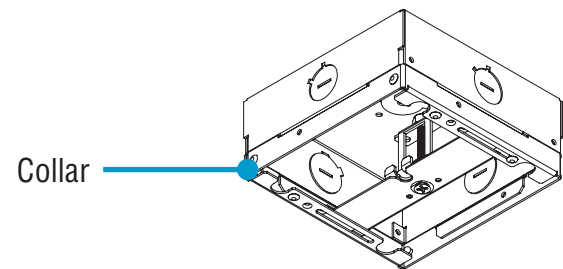
E2 Indirect/Direct Linear With 6" Canopy Installation Instructions

Step 2 – Electrical Box Mounting – T-Bar

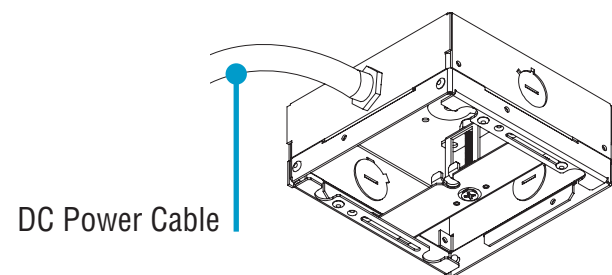
Splice Box

Overview

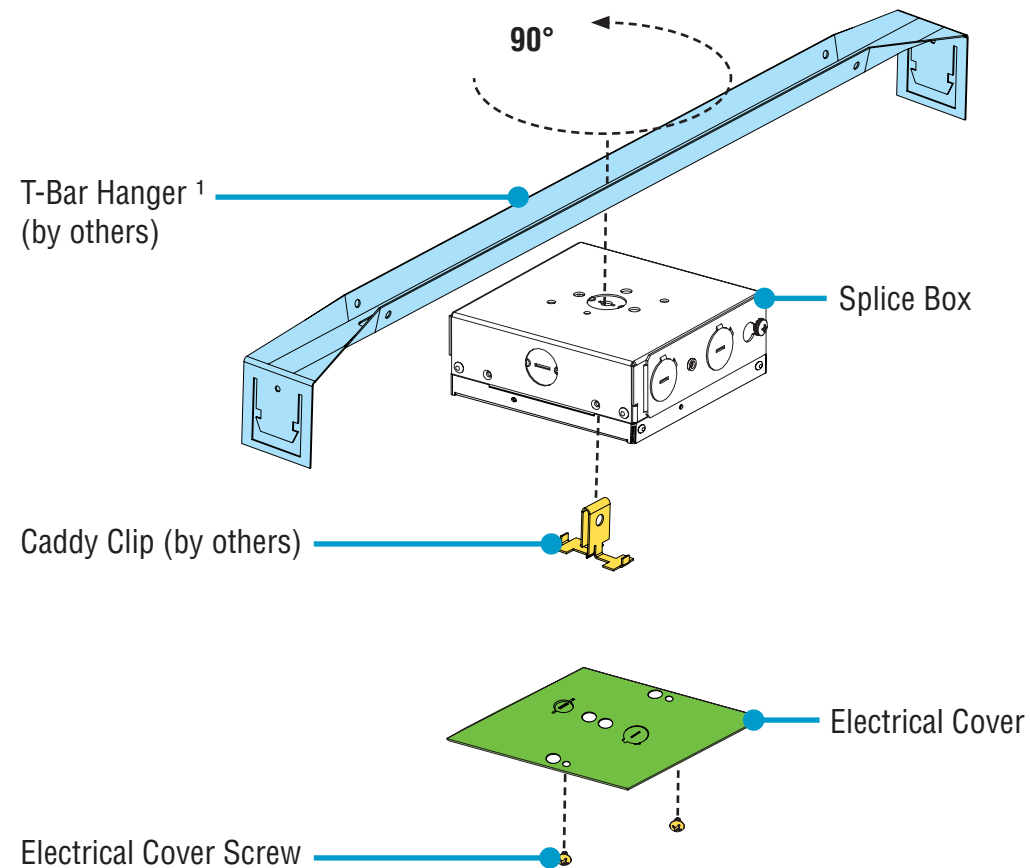
Non-Powered Splice Box



Remote Powered Splice Box



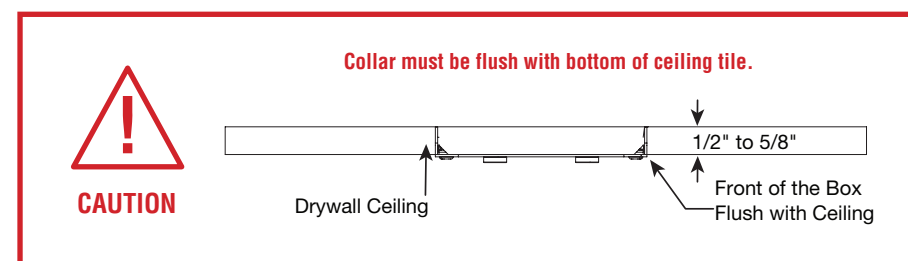
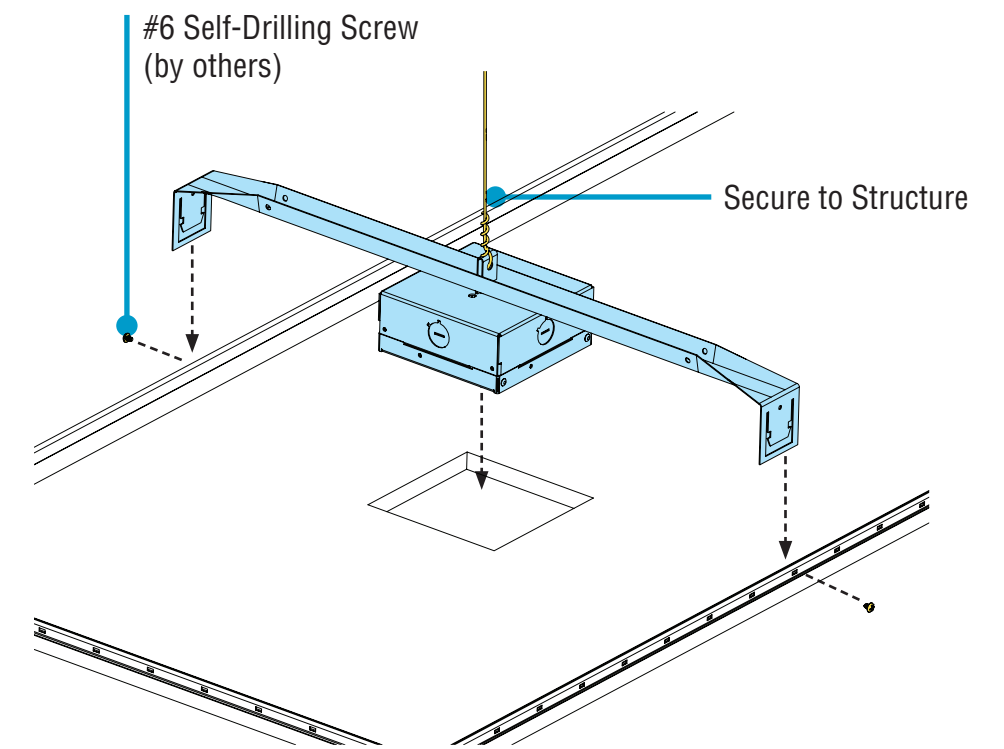
A. Install Bar Hanger Top-Down View




- Remove electrical cover from Splice Box by unscrewing two electrical cover screws.
- Install T-Bar hanger¹ onto Splice Box using one caddy clip.
- Rotate T-Bar hanger 90° to lock into place.
- Reinstall electrical cover onto Splice Box by replacing two electrical cover screws.

For splice box with remote power supply T-Bar installation, refer to page 8.

B. Place on Ceiling Tile Top-Down View

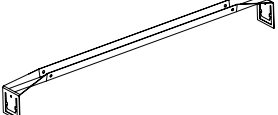


- Place Splice Box onto ceiling tile and align collar with rough-in opening.
- Clip the bar hanger¹ onto T-Bars and secure to T-Bars using two #6 self-drilling screws.
- Secure Splice Box to structure using caddy clip, per building code.

 **Electrical Cover Screw**
#6-32 x 3/16" (provided)

 **#6 Self-Drilling Screw**
(by others)

 **Caddy Clip**
(by others)

 **T-Bar Hanger¹**
(by others)

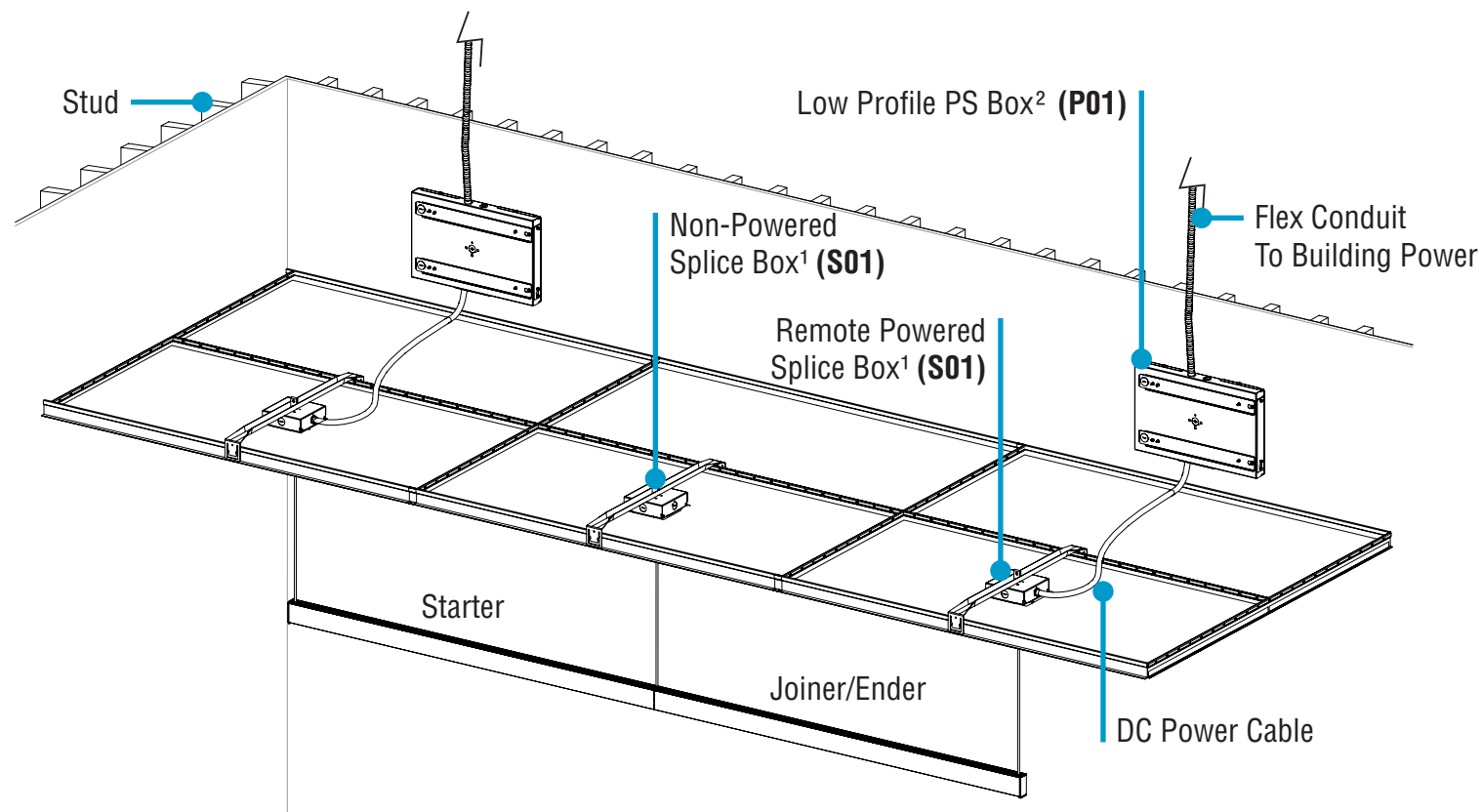
¹ Part by others but also available from Finelite upon request.

E2 Indirect/Direct Linear With 6" Canopy Installation Instructions

Optional – Remote Power Supply (PS) – T-Bar

Splice Box with Low Profile PS Box Remote Installation

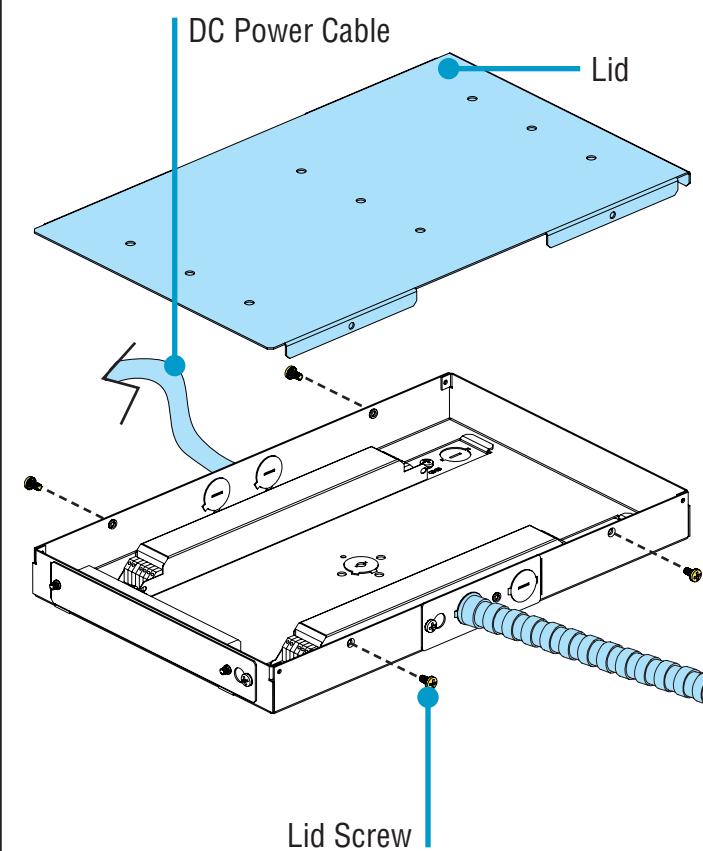
Overview Top-Down View



Wire Gauge ³ (AWG)	Distance ⁴ (ft.)	Pendant Feed Cable (in.)
12	85	50
	81	100
	77	150
14	52	50
	47	100
	43	150
18	17	50
	13	100
	9	150

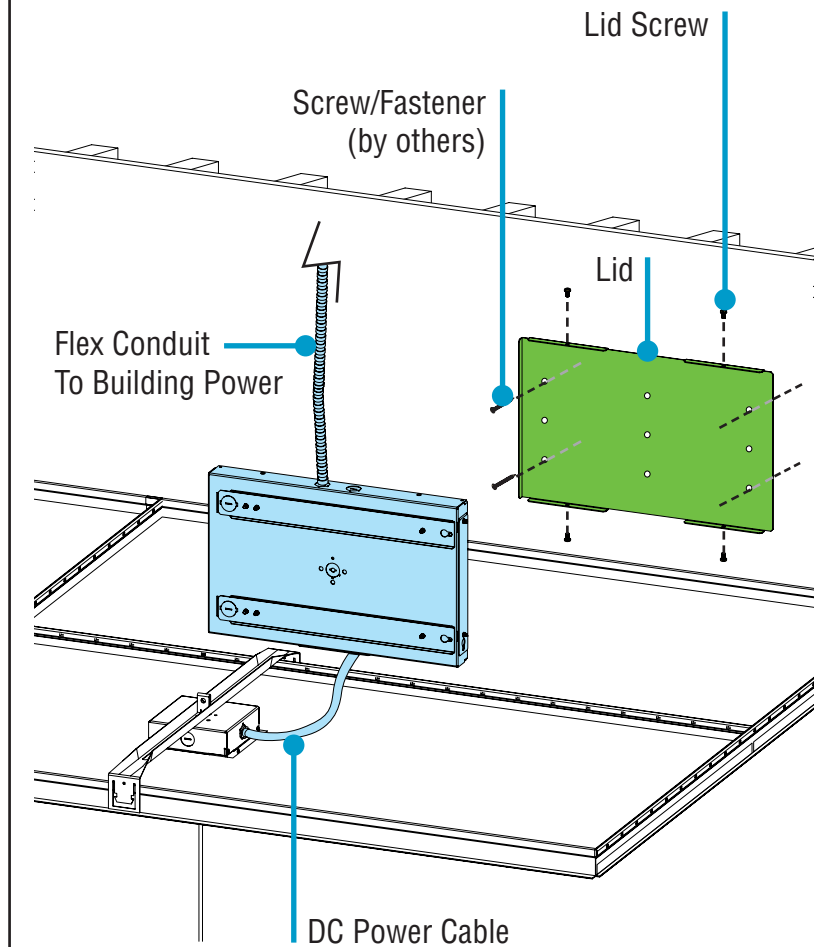
NOTE: To reduce EMI, use shortest length wires appropriate for your application and shielded wire or metallic conduit.

A. Remove Lid Top-Down View

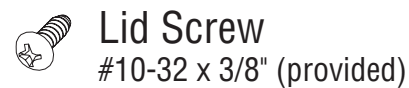
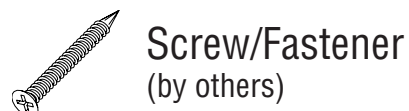


- Remove lid from Low Profile PS Box by unscrewing the lid screws.
- Connect DC power cable to opposite end of PS box.
- Connect flex conduit to building power.

B. Mount Lid & PS Box Top-Down View



- Using appropriate screws or fasteners, mount lid to wall and proper support structures, per building code.
- Mount Low Profile PS box to lid by replacing lid screws.
- Connect DC power cable to the splice box.



¹ For splice box T-Bar installation, see page 7.

³ Wire gauge for minimum loss from power box to non-power box.

² For low profile PS box T-Bar installation, see page 5.

⁴ Maximum distance from power box to non-power box.

E2 Indirect/Direct Linear With 6" Canopy Installation Instructions

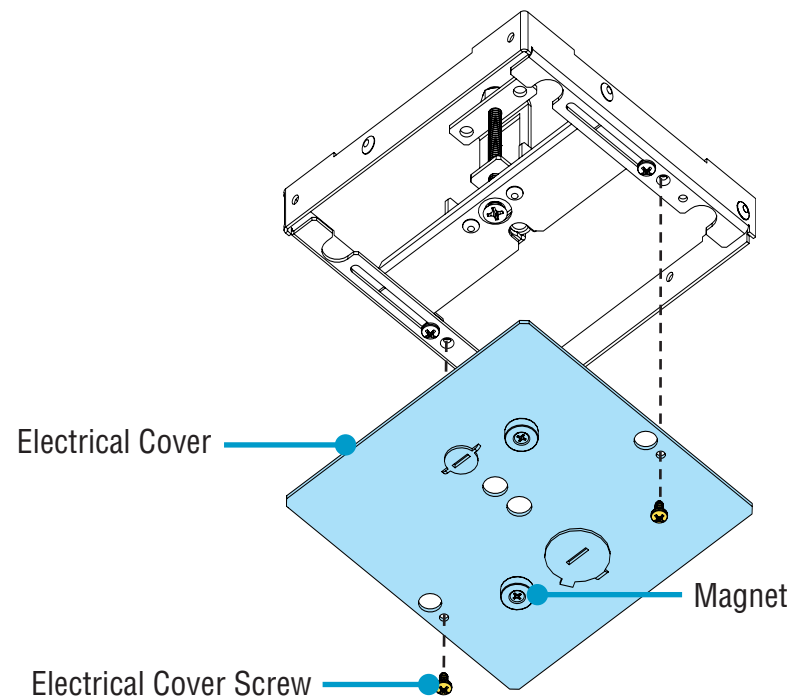
Step 2 – Electrical Box Mounting – Drywall

Overview

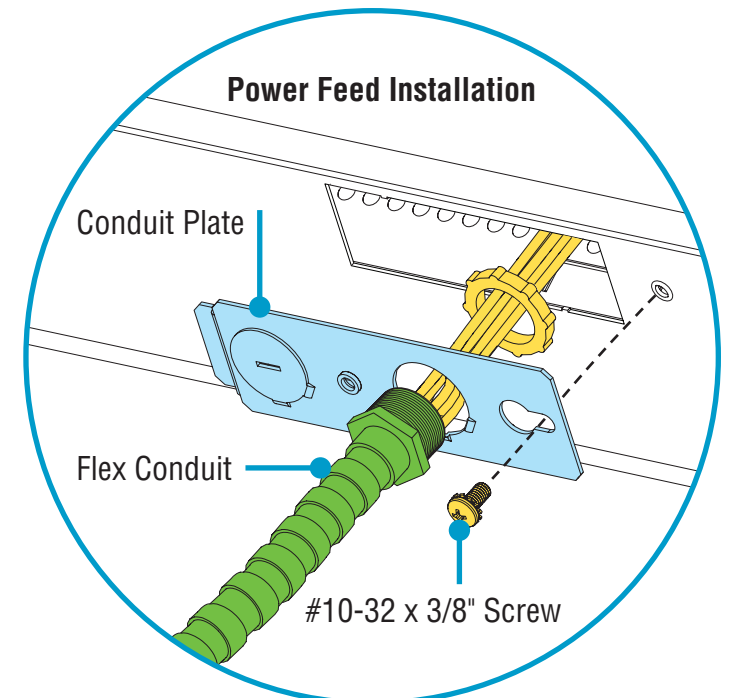
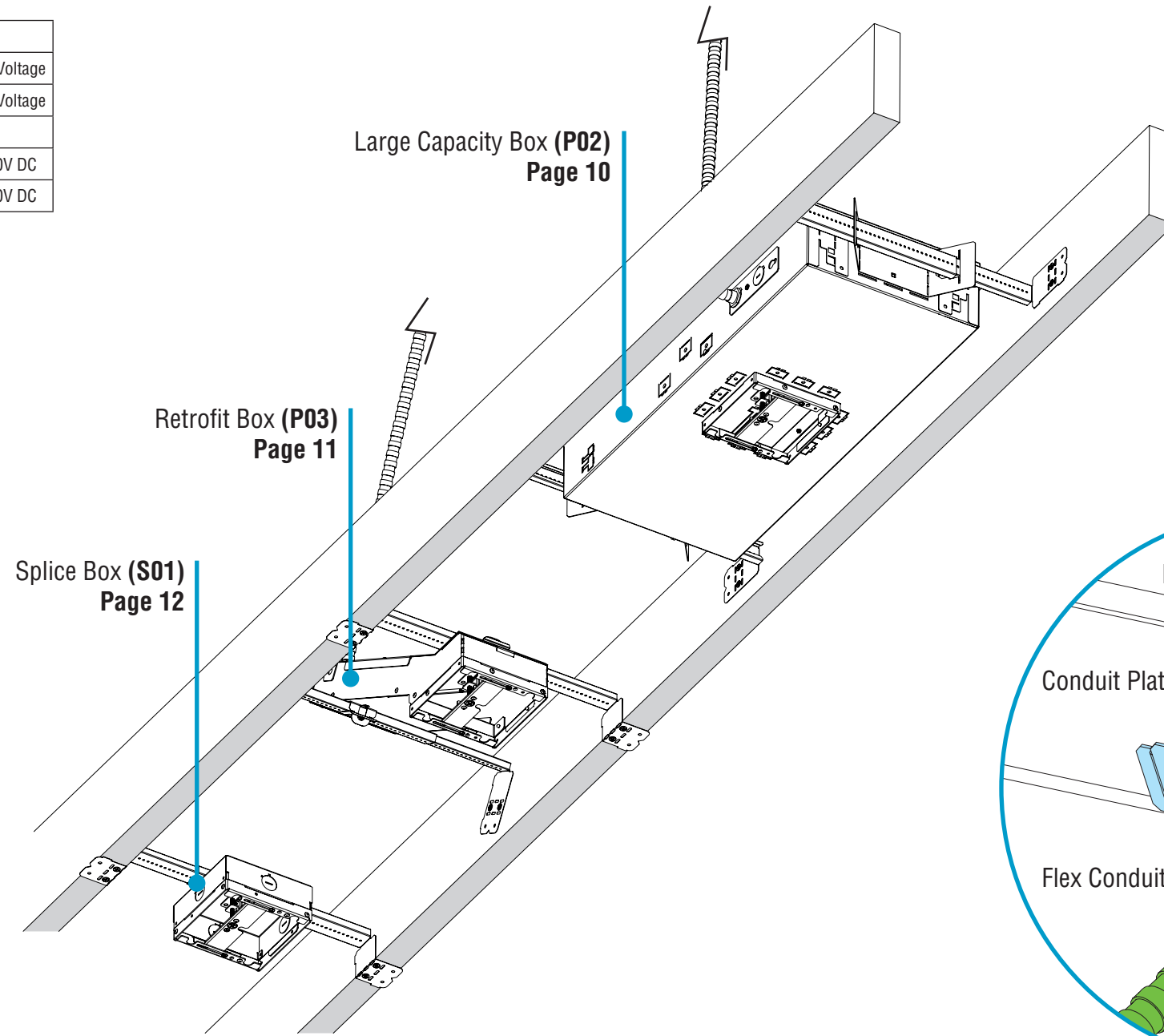
Power Electrical Cover


Drywall Installation Bottom-Up View


WIRING LEGEND		
Black	Hot	Line Voltage
White	Neutral	Line Voltage
Green	Ground	
Pink	Dimming	0-10V DC
Purple	Dimming	0-10V DC



• Prior to starting power box installation, remove electrical cover from collar.



 **Electrical Cover Screw**
#6-32 x 3/16" (provided)

 **#10-32 x 3/8" Screw**
(provided)

 **Flex Conduit**
(by others)



0-10V
Dimming

E2 Indirect/Direct Linear With 6" Canopy Installation Instructions

Step 2 – Electrical Box Mounting – Drywall

Large Capacity Power Supply (PS) Box

A. Install Bar Hanger

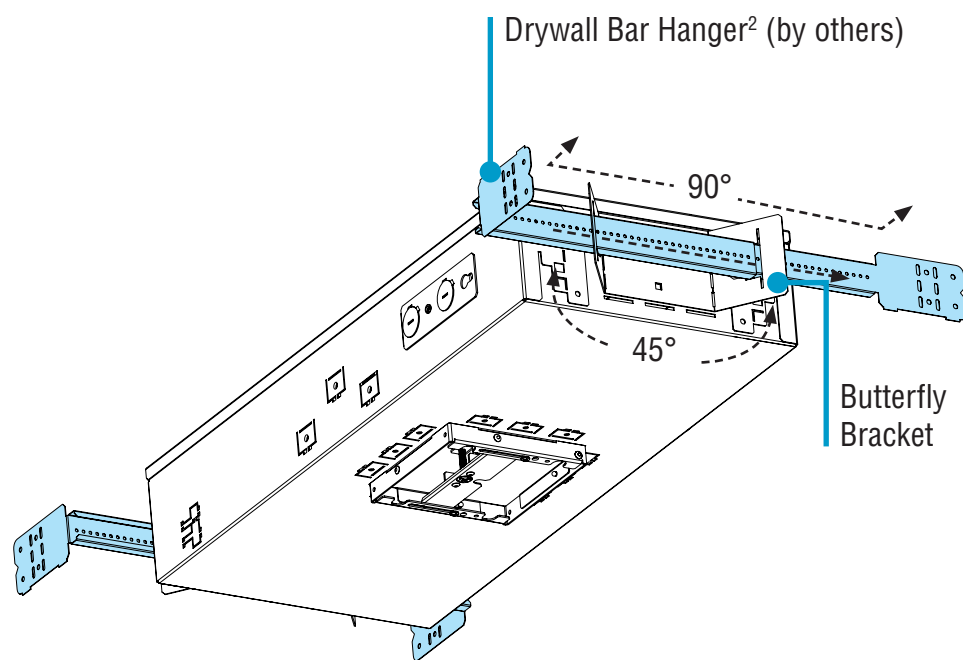


CAUTION

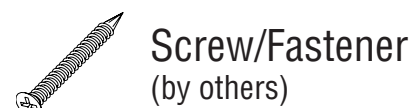
For luminaire configurations with any of the following:

- Emergency to generator/inverter wiring
- Internal generator transfer switch
- Nightlight wiring
- Step-dimming driver
- Backup battery

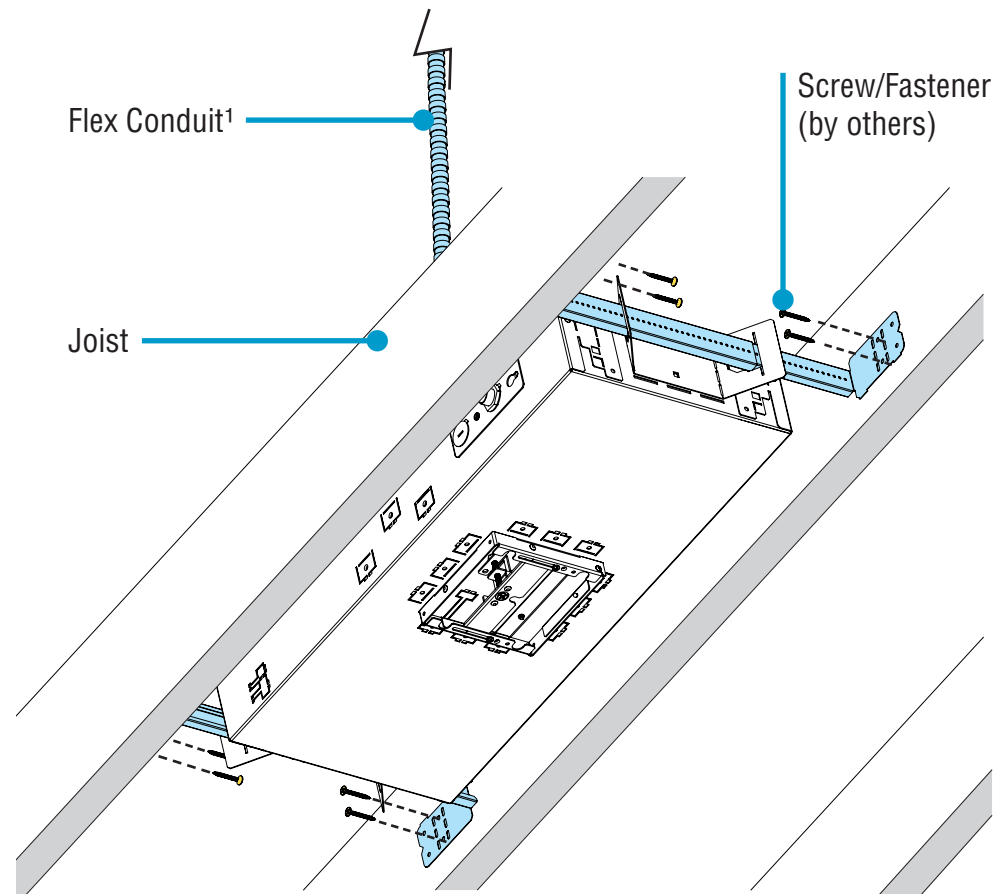
The Large Capacity PS Box (P02) provides **more than one** power supply output source. To reduce the risk of electric shock, disconnect **both** normal and emergency sources within this unit before servicing any equipment connected to this unit.



- Locate butterfly bracket affixed to sides of the Large Capacity PS Box and bend each wing at 45°.
- Install drywall bar hanger² by bending one end at 90°.
- Slide flat end through butterfly bracket slots.
- Complete drywall bar hanger installation by bending flat end at 90°.

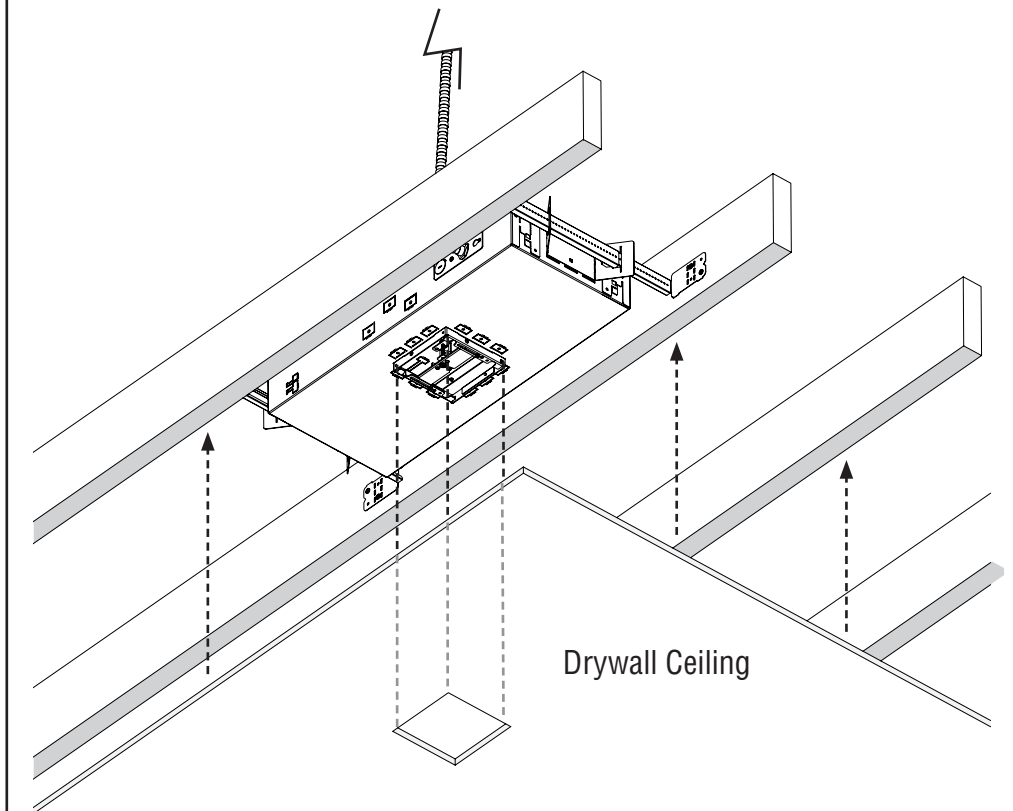


B. Mount to Joists Bottom-Up View



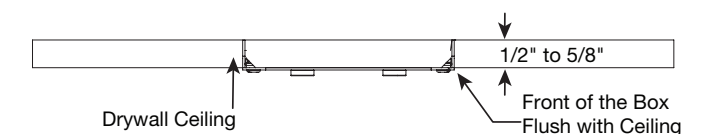
- Secure Large Capacity PS Box to joists using appropriate screws or fasteners, per building code.
- Apply flex conduit¹ to power feed knockout.

C. Place Drywall Bottom-Up View



CAUTION

Collar must be flush with bottom of ceiling tile.



- Align collar with rough-in opening in drywall ceiling and place drywall over the PS box.
- Secure drywall to structure, per building code.

¹ Preferred power feed location shown.

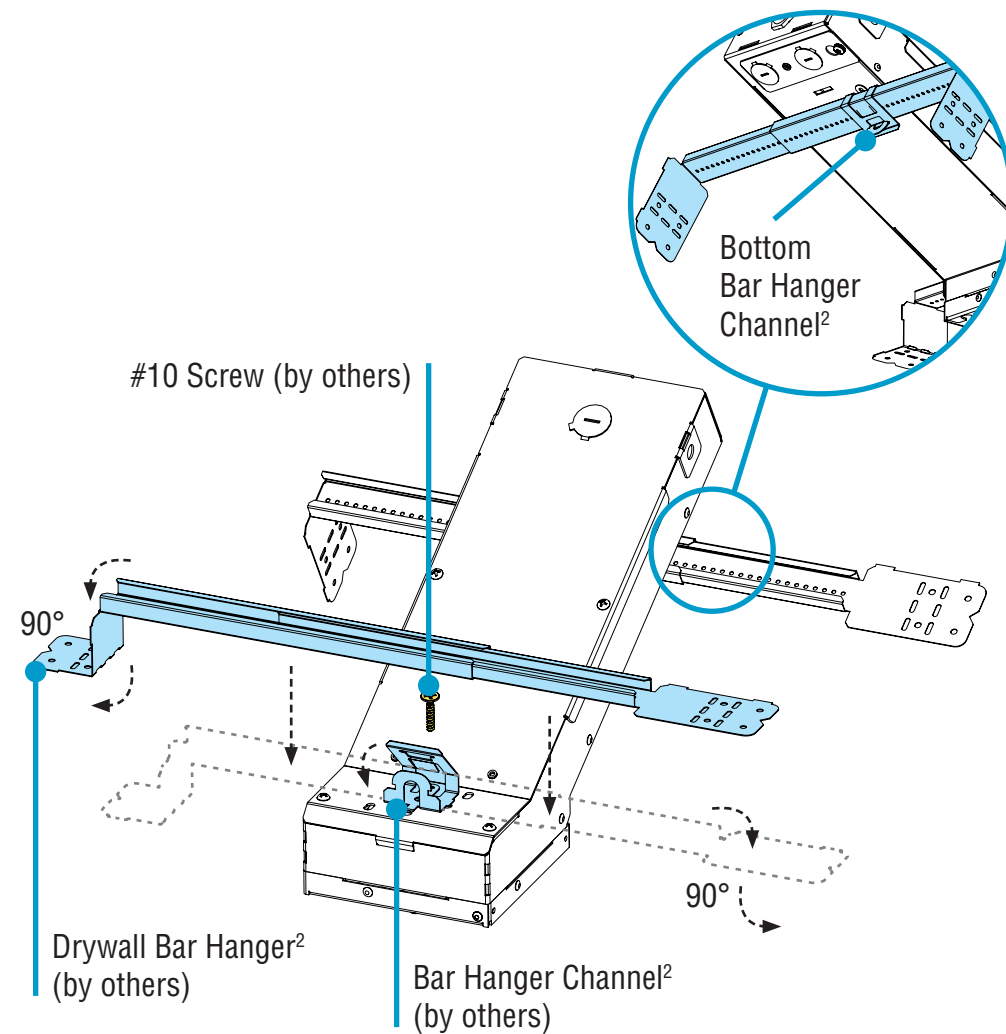
² Part by others but also available from Finelite upon request.

E2 Indirect/Direct Linear With 6" Canopy Installation Instructions

Step 2 – Electrical Box Mounting – Drywall

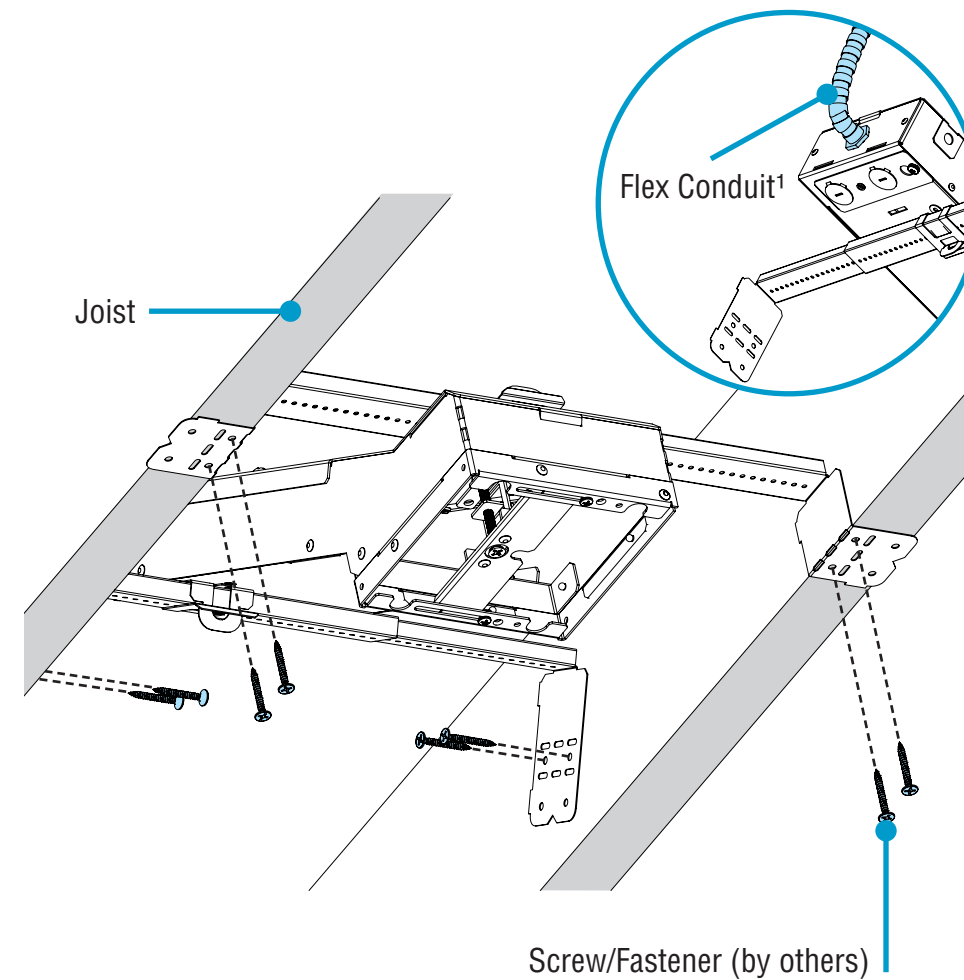
Retrofit Power Supply (PS) Box

A. Install Bar Hanger Top-Down View



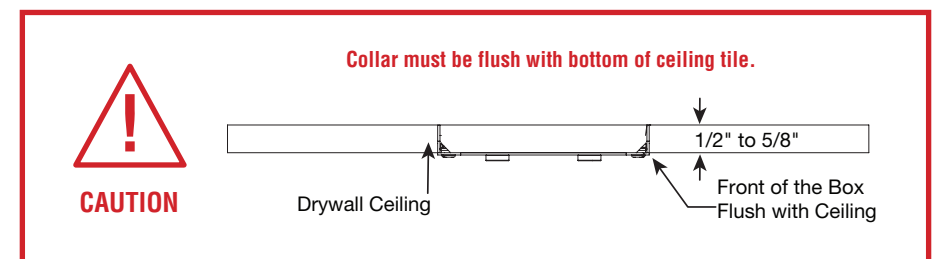
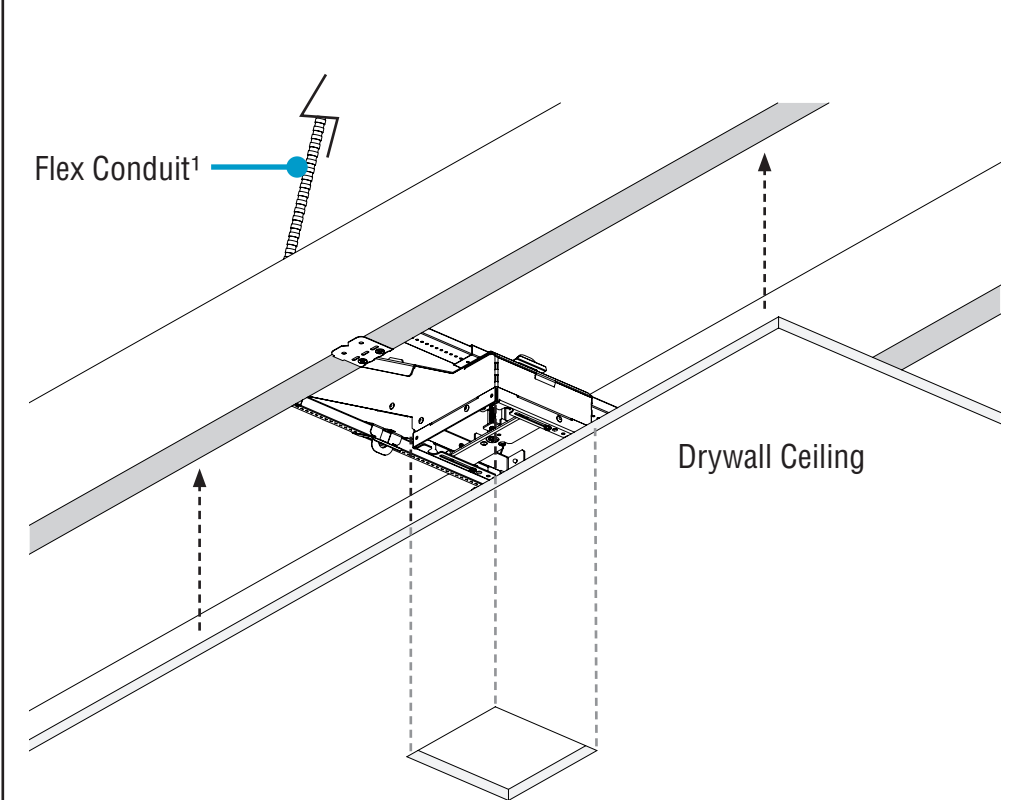
- Install bar hanger channel² onto Retrofit PS box by securing with appropriate #10 screw.
- Install drywall bar hanger² by placing into mouth of bar hanger channel and snap channel closed.
- Bend both ends of drywall bar hanger in alternating 90° step pattern.
- Repeat bar hanger installation for bottom of the Retrofit PS Box.

B. Mount to Joists Bottom-Up View

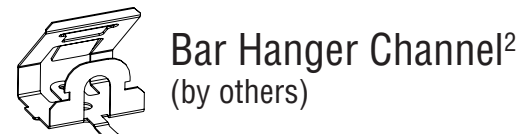
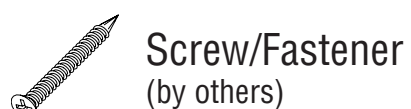


- Secure Retrofit PS box to joists using appropriate screws or fasteners, per building code.
- Apply flex conduit¹ to power feed knockout located at rear of the PS box (preferred power feed location).

C. Place Drywall Bottom-Up View



- Align rough-in opening in drywall ceiling with collar and place drywall over Retrofit PS Box.
- Secure drywall to structure, per building code.



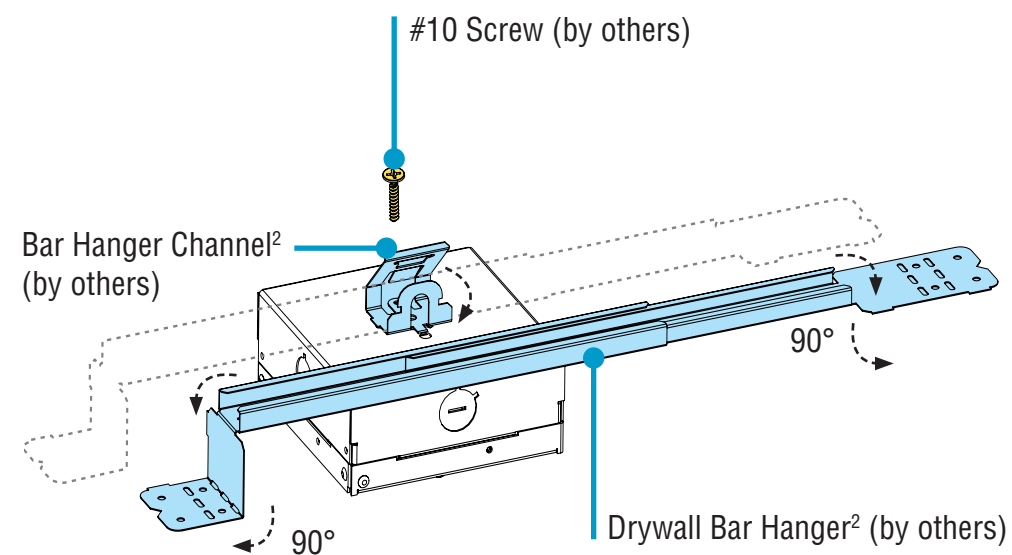
¹ Preferred power feed location shown.
² Part by others but also available from Finelite upon request.

E2 Indirect/Direct Linear With 6" Canopy Installation Instructions

Step 2 – Electrical Box Mounting – Drywall

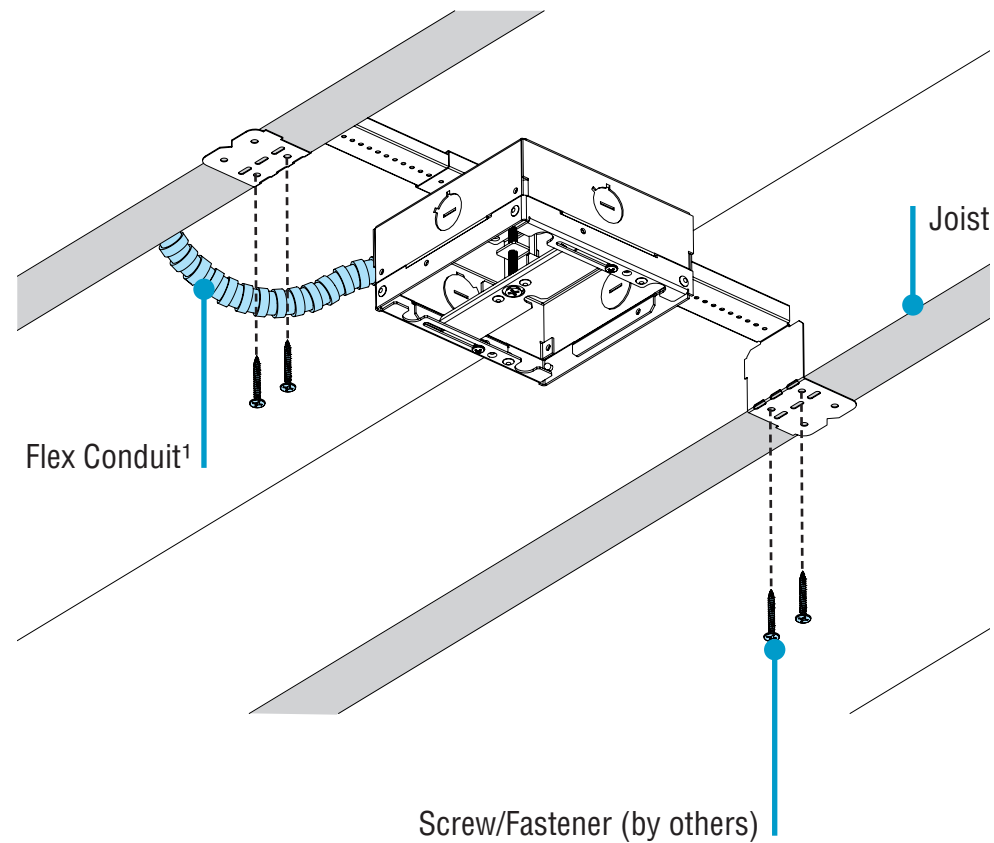
Splice Box

A. Install Bar Hanger Top-Down View



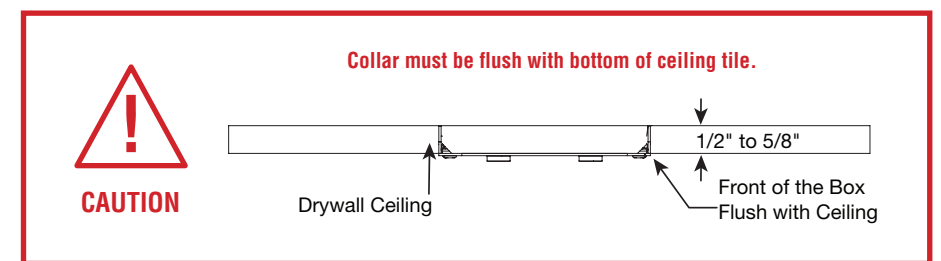
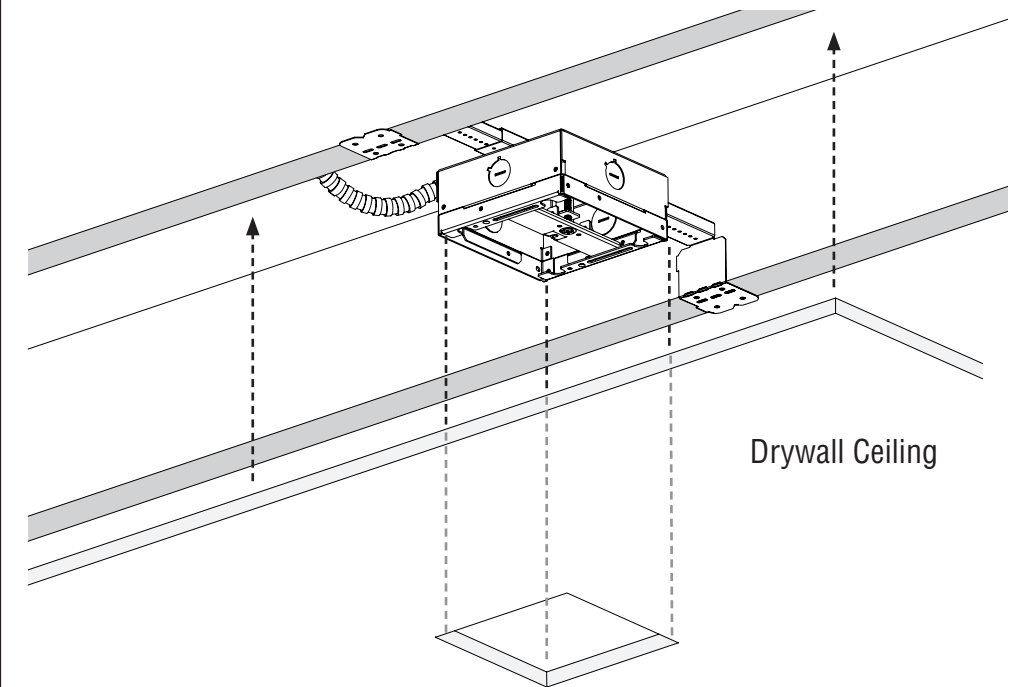
- Install bar hanger channel² onto Splice Box by securing with appropriate #10 screw.
- Install drywall bar hanger² by placing into mouth of bar hanger channel and snap channel closed.
- Bend both ends of drywall bar in alternating 90° step pattern.
- **For splice box with remote power supply drywall installation, refer to page 13.**

B. Mount to Joists Bottom-Up View

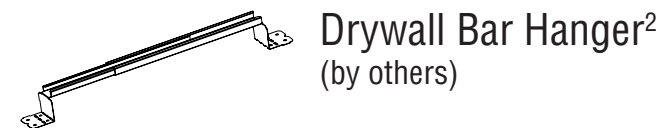
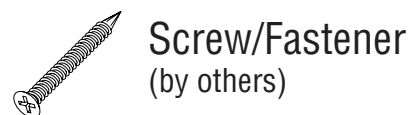


- Secure splice box to joists using appropriate screw or fasteners, per building code.
- Apply flex conduit¹ to power feed knockout.

C. Place Drywall Bottom-Up View



- Align rough-in opening in drywall ceiling with collar and place drywall over splice box.
- Secure drywall to structure, per building code.



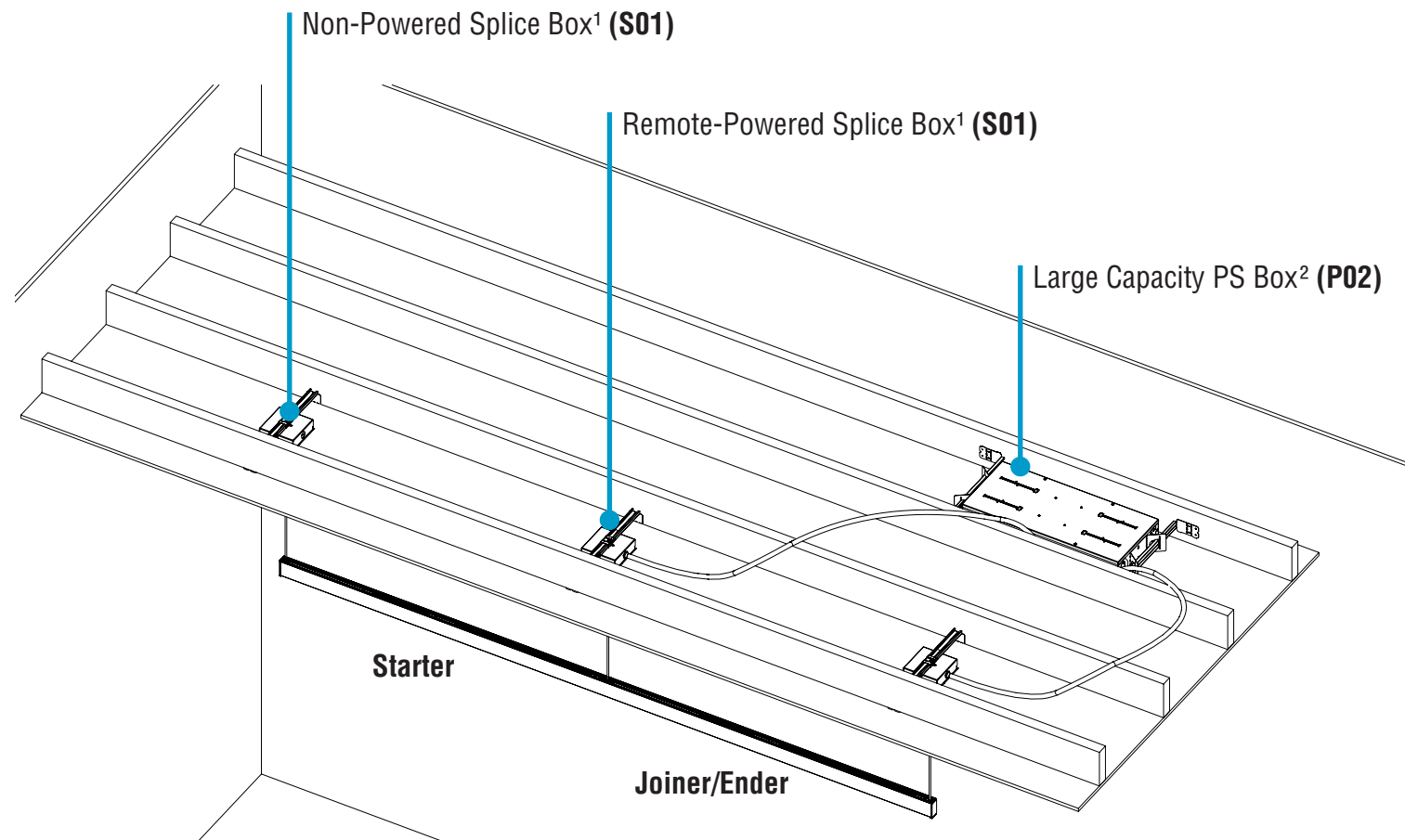
¹ Preferred power feed location shown.
² Part by others but also available from Finelite upon request.

E2 Indirect/Direct Linear With 6" Canopy Installation Instructions

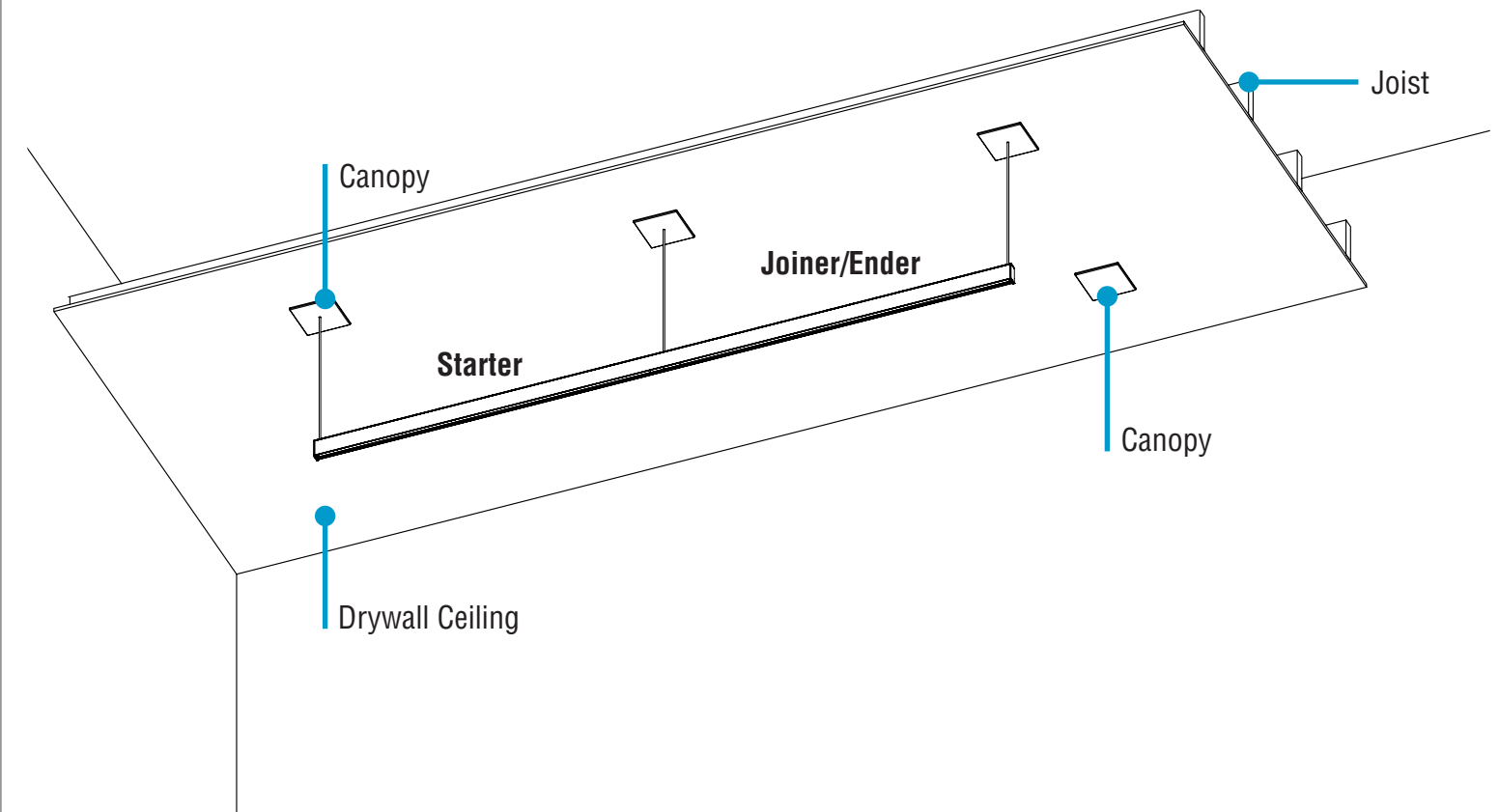
Optional - Remote Power Supply (PS) - Drywall

Large Capacity PS Box with Splice Box Installation

Overview Top-Down View



Bottom-Up View



NOTE: To reduce EMI, use shortest length wires appropriate for your application and shielded wire or metallic conduit.

Wire Gauge ³ (AWG)	Distance ⁴ (ft.)	Pendant Feed Cable (in.)
12	85	50
	81	100
	77	150
14	52	50
	47	100
	43	150
18	17	50
	13	100
	9	150

For luminaire configurations with any of the following:



CAUTION

- Emergency to generator/inverter wiring
- Internal generator transfer switch
- Nightlight wiring
- Step-dimming driver
- Backup battery

The Large Capacity PS Box (P02) provides **more than one** power supply output source. To reduce the risk of electric shock, disconnect **both** normal and emergency sources within this unit before servicing any equipment connected to this unit.

¹ For splice box drywall installation, see page 12.

³ Wire gauge for minimum loss from power box to non-power box.

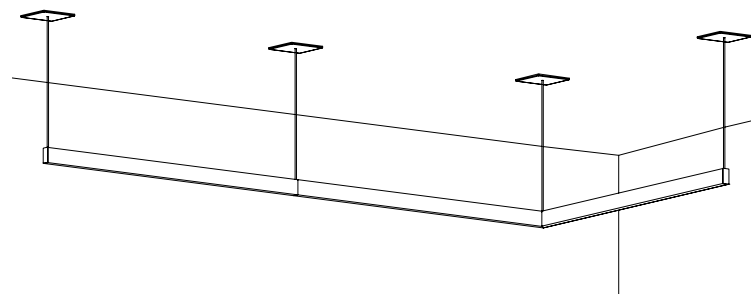
² For Large Capacity PS Box drywall installation, see page 10.

⁴ Maximum distance from power box to non-power box.

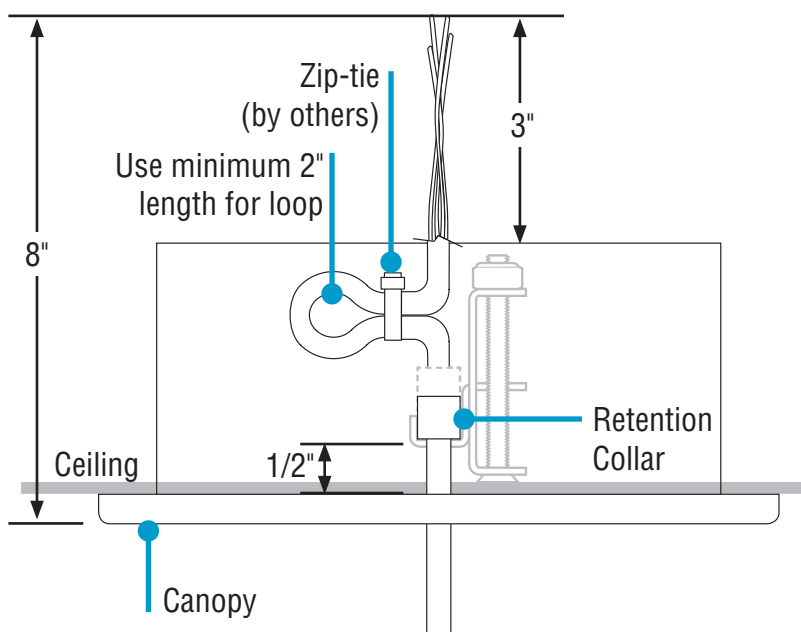
E2 Indirect/Direct Linear With 6" Canopy Installation Instructions

Step 3 - Mounting Starter to Structure

Overview

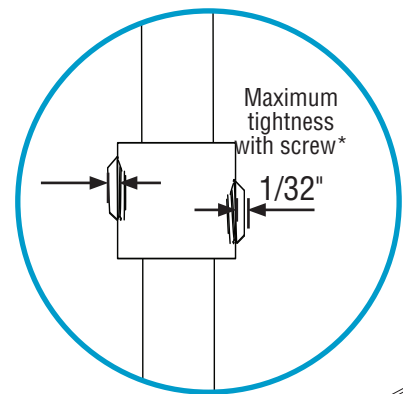


Adjustable Power Cable (APC) Length



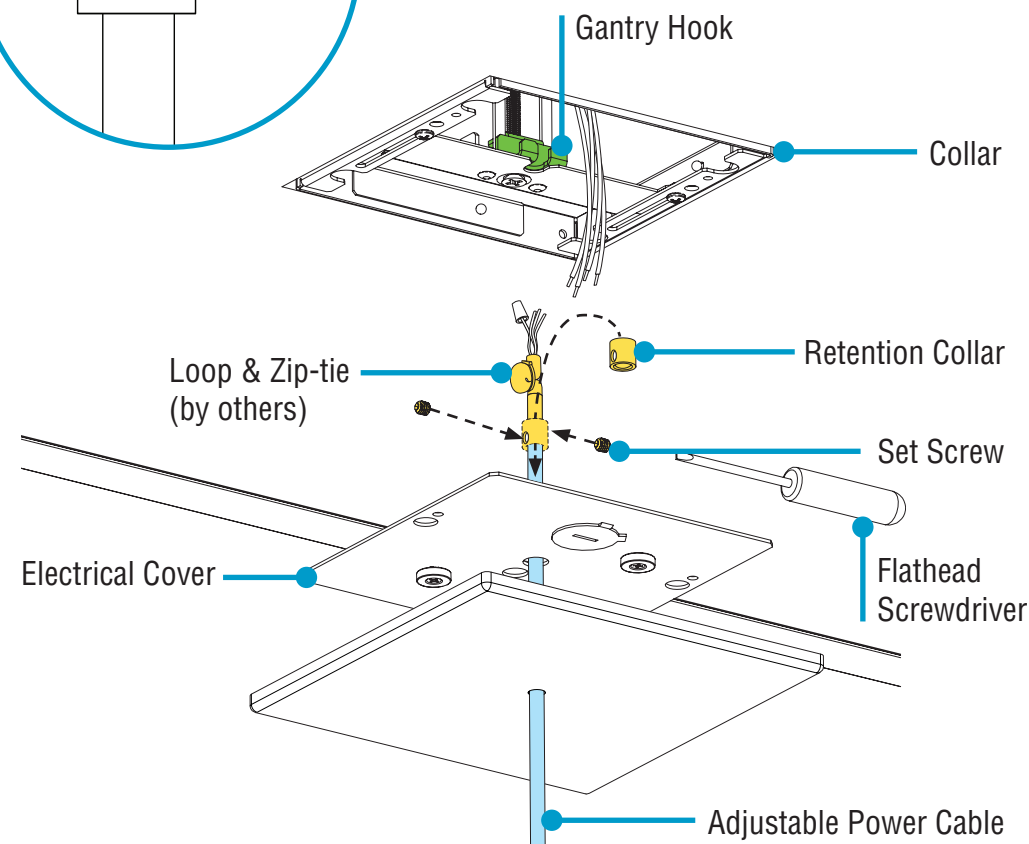
- Cut APC a minimum 8" longer than desired suspension length.
- Strip 3" of cable sheathing.
- Create a minimum 2" loop with zip-tie (by others)
- Place retention collar a minimum 1/2" from end of sheathing.

A. Connect Power Cables



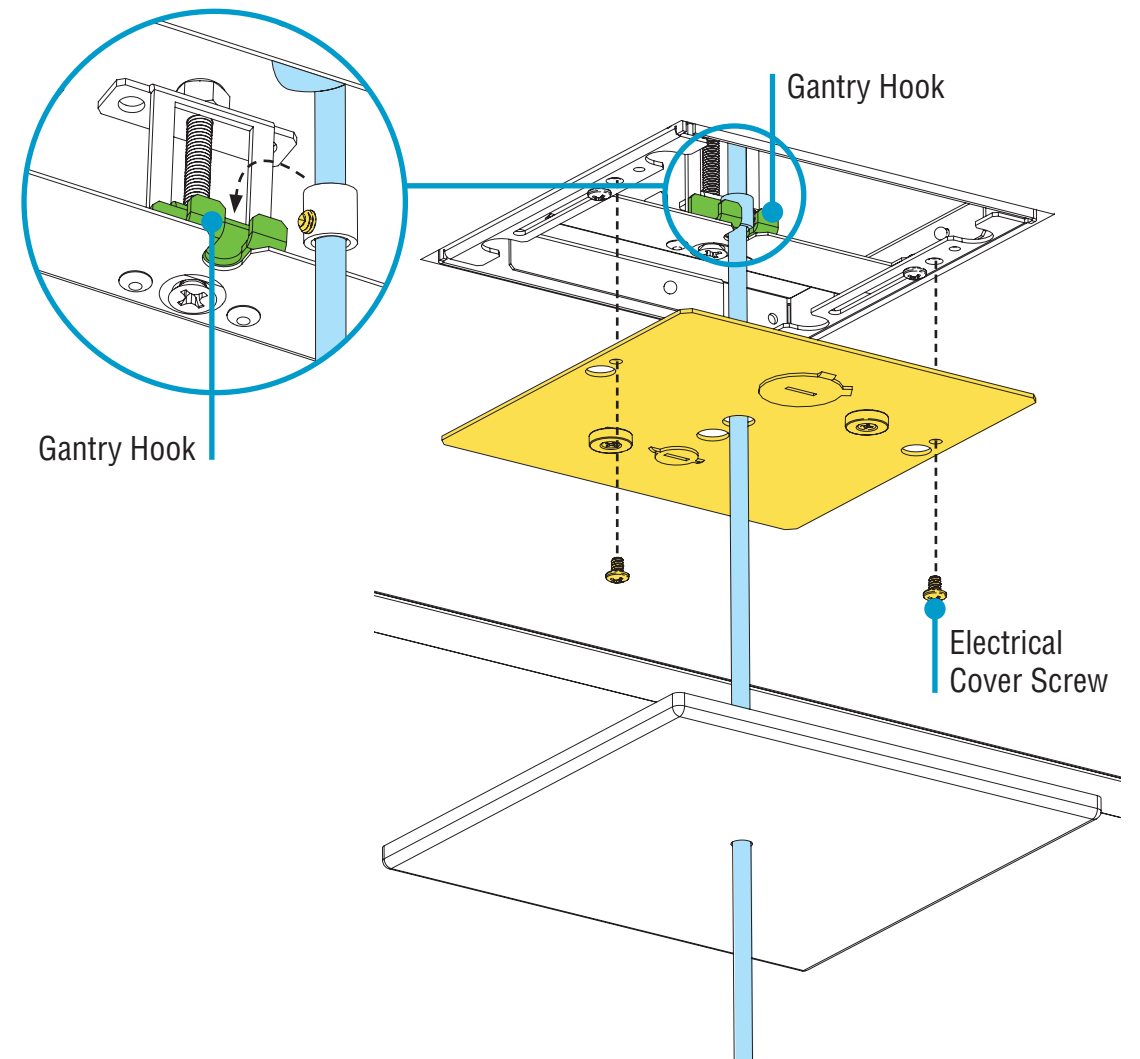
Do not over-tighten set screws. Set screws require only 2-4 inch-lbs of torque to properly secure the adjustable power cables. Apply even pressure to each set screw by alternating back and forth as you tighten set screws.

CAUTION



- Remove the retention collars from adjustable power cables.
- Replace retention collars onto adjustable power cables and secure with set screws.
- Create a minimum 2" loop with zip-tie (by others)
- **CAUTION:** Do not over-tighten set screws. Set screws require only 2-4 inch-lbs of torque to properly secure the adjustable power cables.

B. Replace Electrical Cover & Canopy



- Hang adjustable power cable onto gantry hook.
- Replace electrical cover over collar with the two electrical cover screws.
- If you are not installing a joiner/ender in the next step, level luminaire to desired height (see page 17, step 6) prior to turning power on.



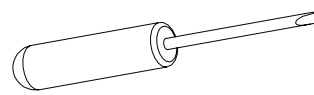
Retention Collar
(provided)



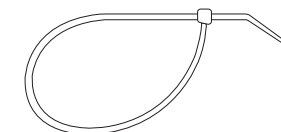
Set Screw
#10-32 x 3/16" (provided)



Electrical Cover Screw
#6-32 x 3/16" (provided)



Flathead Screwdriver
(provided)



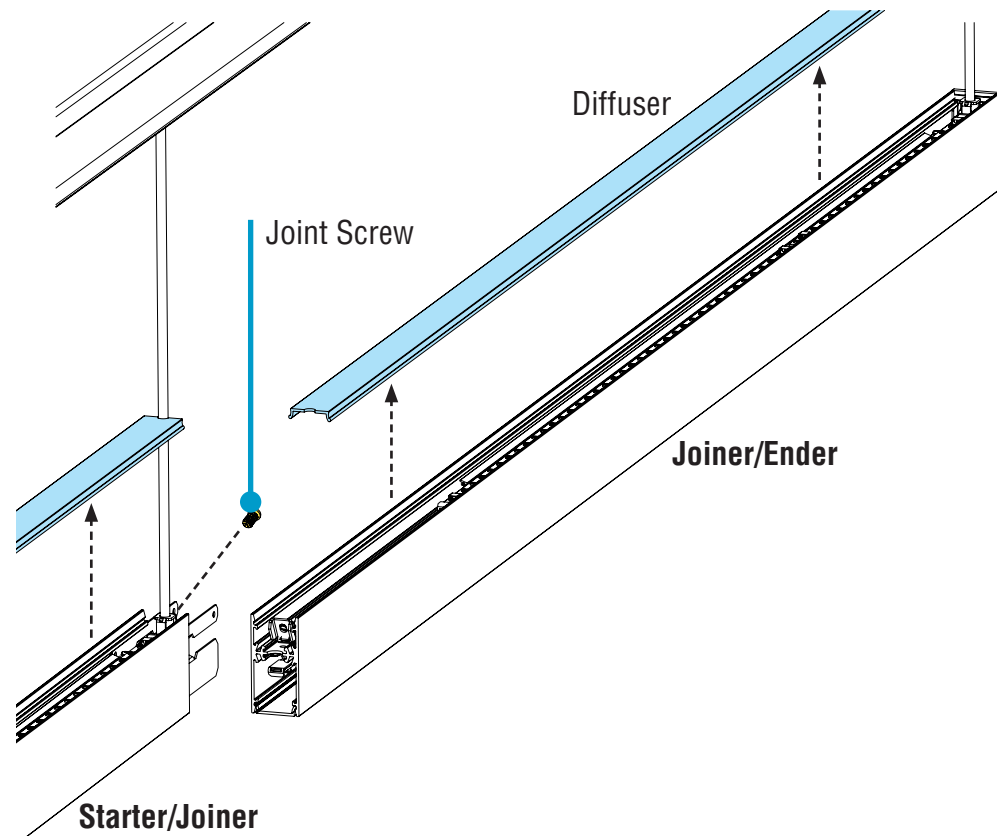
Zip-tie
(by others)

* Alteration tightening the set screws to insure even pressure

E2 Indirect/Direct Linear With 6" Canopy Installation Instructions

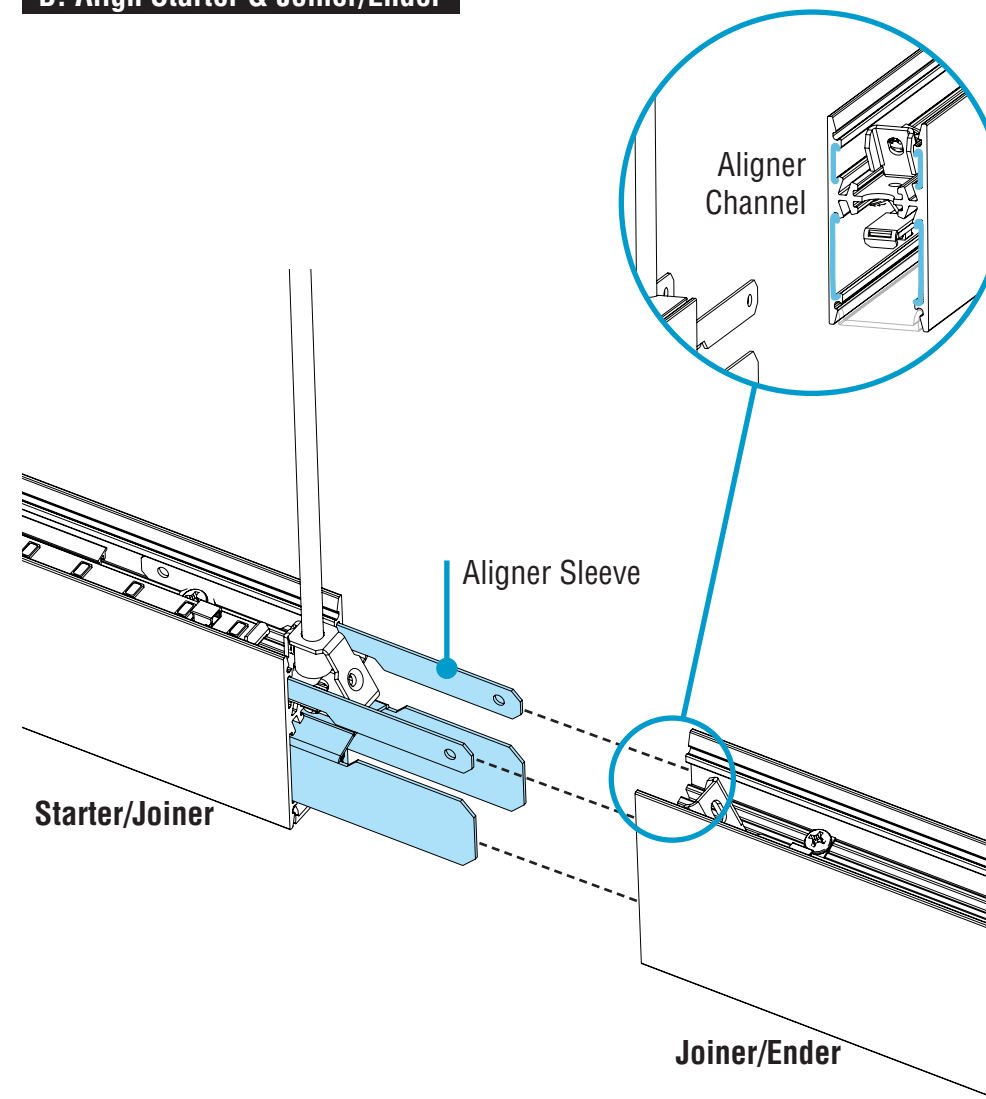
Step 4 - Securing Luminaire Joints

A. Remove Diffusers



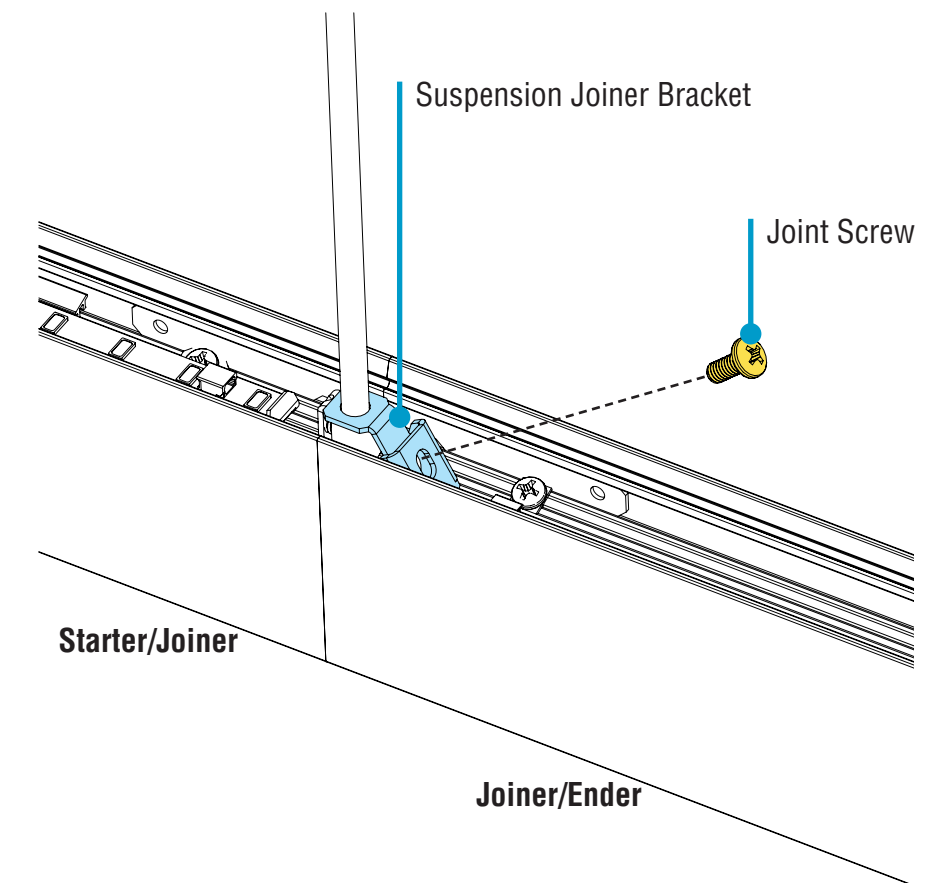
- Ensure starter luminaire is level prior to adding joiner/ender.
- Remove diffusers from starter and joiner/ender luminaires and set aside to prevent from getting dirty or damaged.
- Remove joint screw from suspension joiner bracket. Set aside and do not lose.

B. Align Starter & Joiner/Ende



- Align joiner/ender with aligner sleeves and ensure aligner sleeves slide into appropriate channels.

C. Secure Joint



- Secure joint by replacing joint screw through suspension joiner bracket.
- **CAUTION:** Do not tighten screw until final leveling step is performed (page 17, step 6).

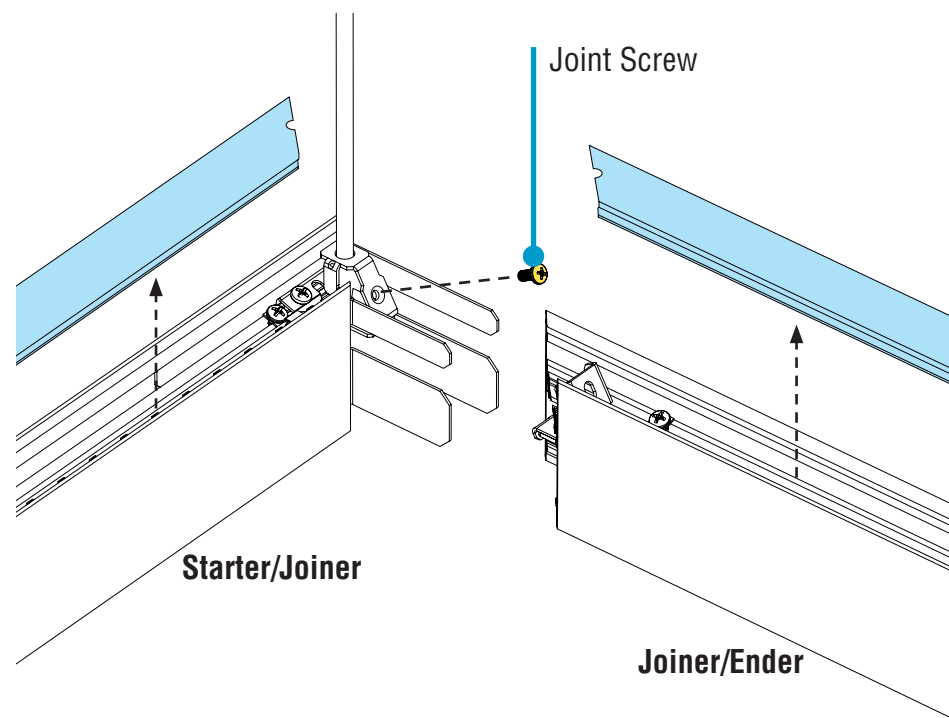


Joint Screw
#8-32 x 3/8" (provided)

E2 Indirect/Direct Linear With 6" Canopy Installation Instructions

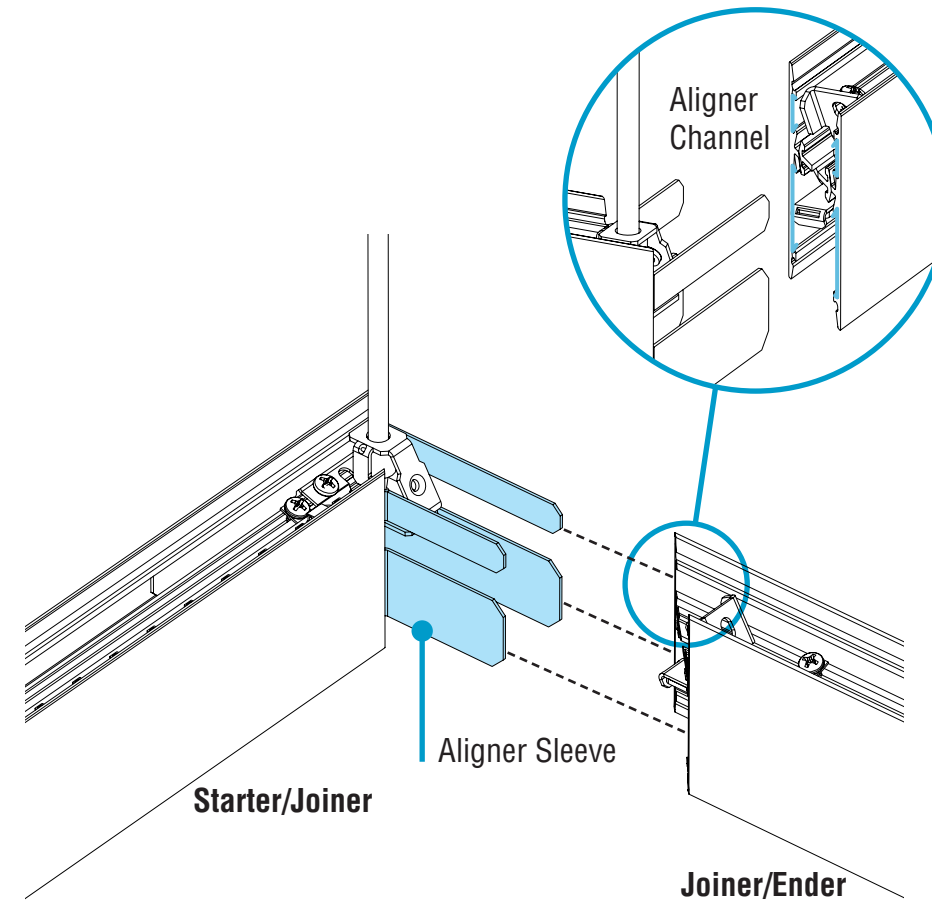
Step 5 - Joining Corners

A. Remove Diffusers



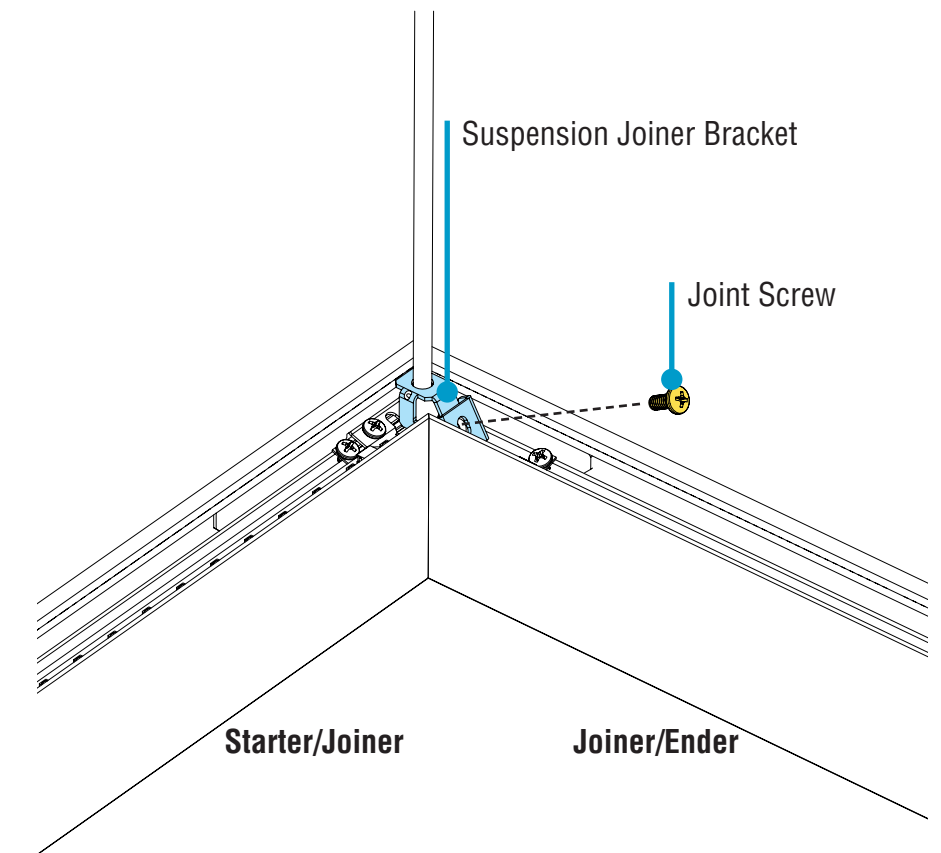
- Ensure starter/joiner luminaire is level prior to adding joiner/ender.
- Remove diffusers from joiner and joiner/ender luminaires and set aside to prevent from getting dirty or damaged.
- Remove joint screw from suspension joiner bracket. Set aside and do not lose.

B. Align Starter/Joiner & Joiner/Ender



- Align joiner/ender with aligner sleeves and ensure aligner sleeves slide into appropriate channels.

C. Secure Corner Joint



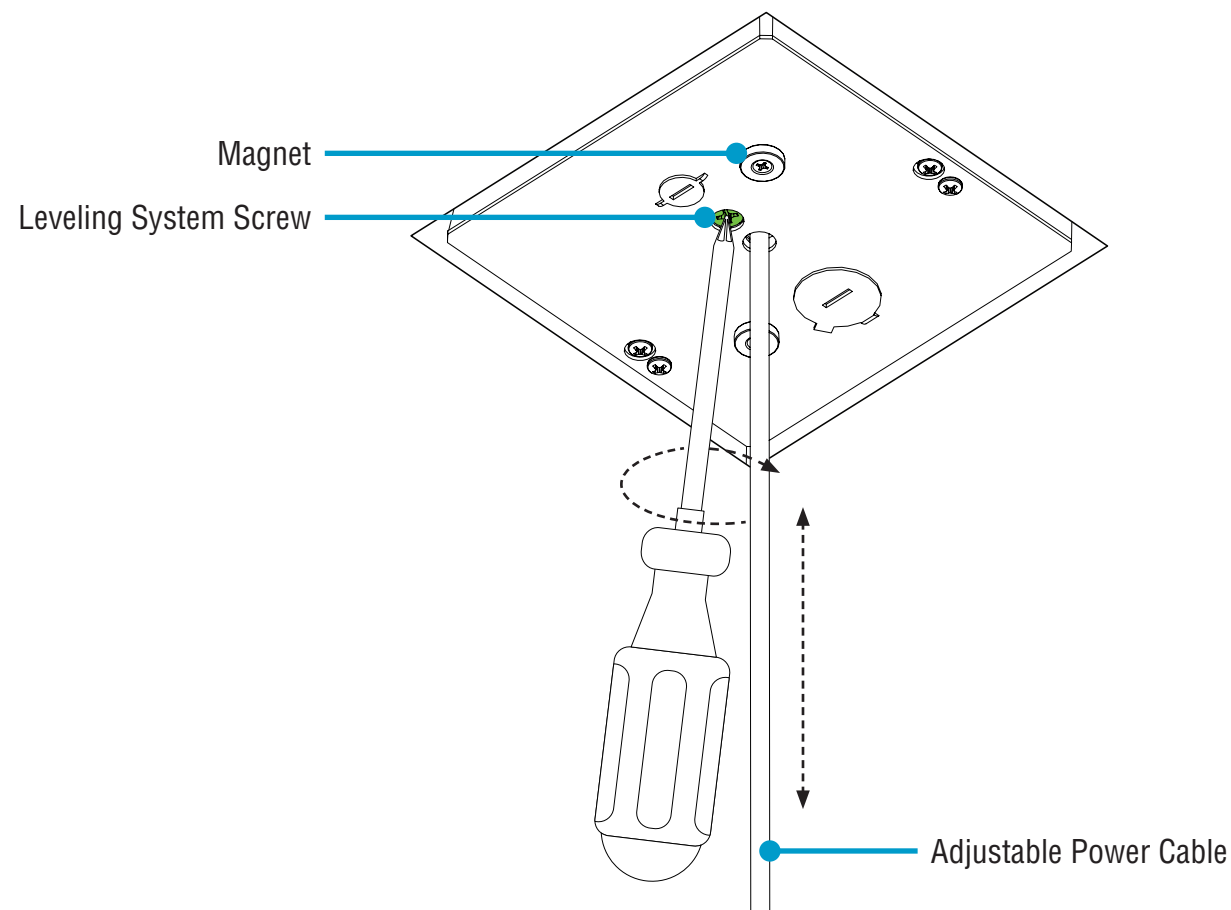
- Secure joint by replacing joint screw through suspension joiner bracket.
- **CAUTION:** Do not tighten screw until final leveling step is performed (page 17, step 6).



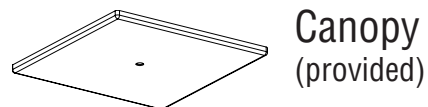
E2 Indirect/Direct Linear With 6" Canopy Installation Instructions

Step 6 - Leveling & Closing Luminaires

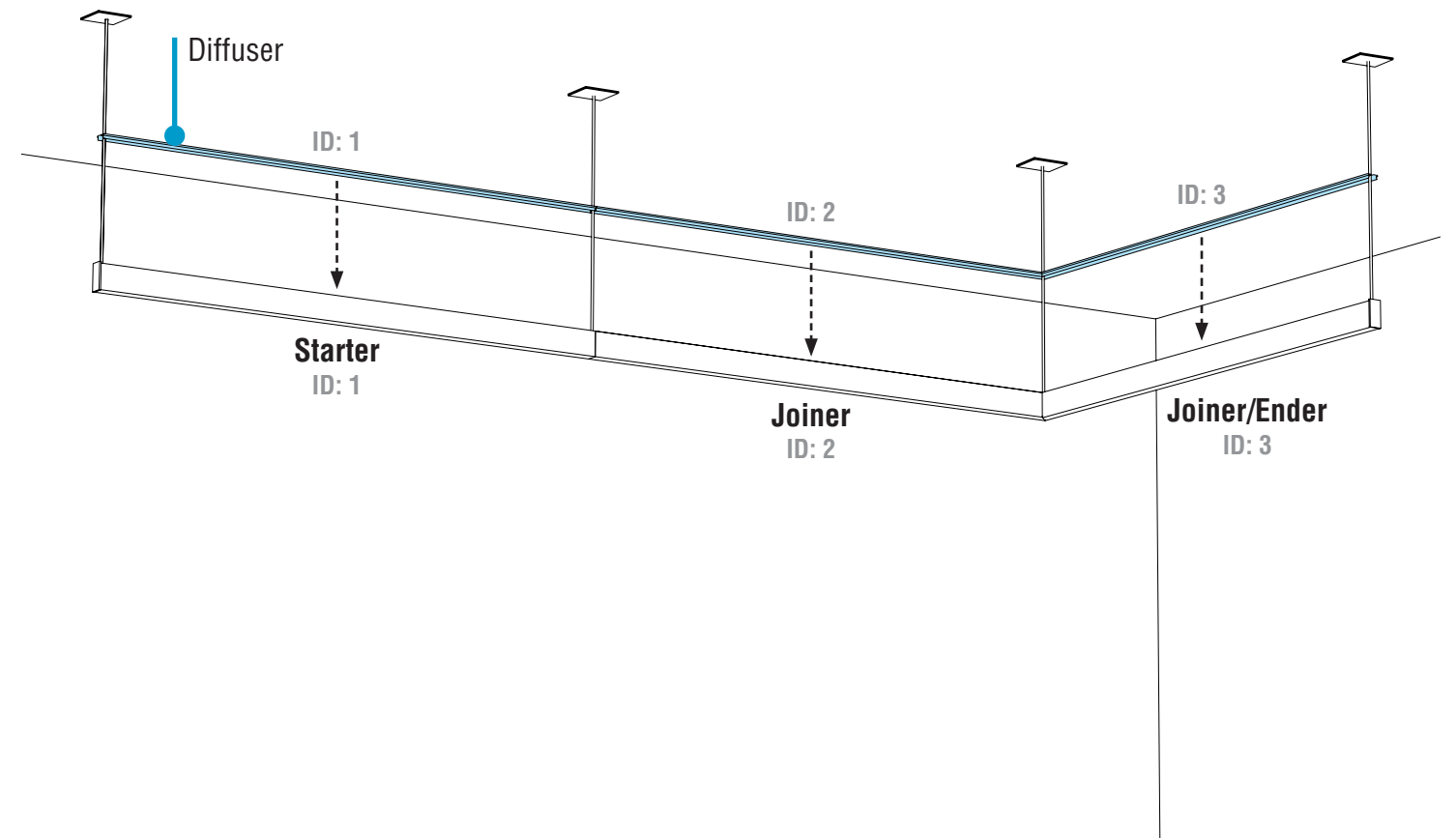
A. Level Luminaire Bottom-Up View



- Using a screwdriver, turn screw found in leveling system to adjust luminaire to desired height.
- Turn screw counterclockwise to raise, turn clockwise to lower.
- **NOTE:** Maximum of 1" for leveling adjustment.
- Snap canopy back into place using magnets found on electrical cover.



B. Final Step - Replace Diffusers



- Tighten joint screw for suspension joiner brackets at all joints.
- Replace diffusers to all luminaires.
- **CRITICAL:** Be sure to install correct diffuser to its corresponding luminaire ID.
- Turn power on to luminaire.



Leveling
System