

# E2 Indirect/Direct Linear & Configuration With 6" Canopy

## Driver Replacement Instructions

### Overview

**NOTE**

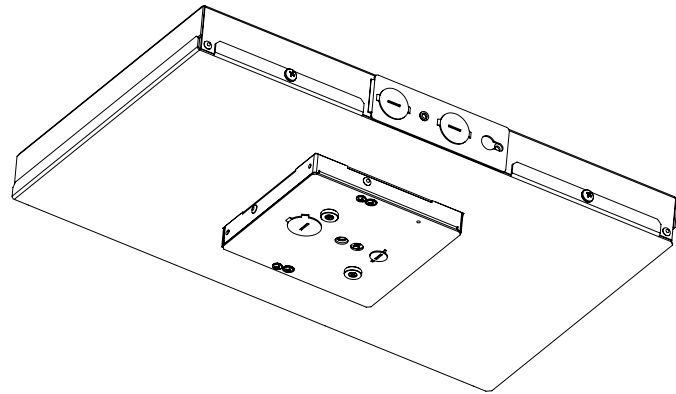
All power connections should be installed according to local/national codes by a Certified Electrician.



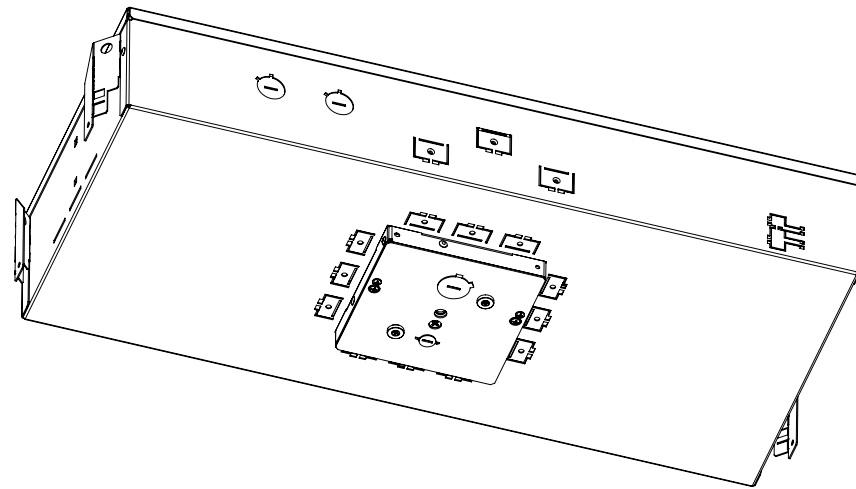
HELPFUL  
VIDEOS



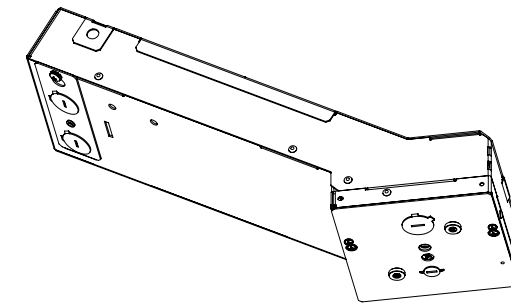
0-10V  
Dimming



Low Profile T-Bar Power Supply Box (P01)  
**Page 2**



Large Capacity T-Bar & Drywall Power Supply Box (P02)  
**Page 3**

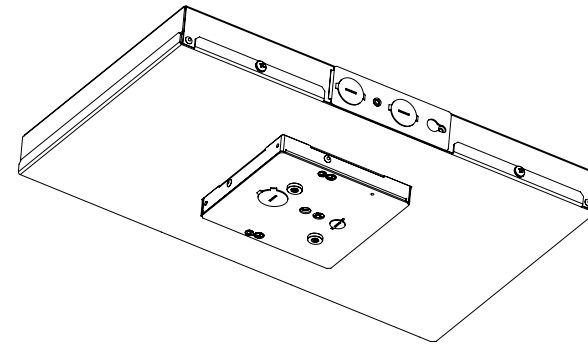


Retrofit T-Bar & Drywall Power Supply Box (P03)  
**Page 4**

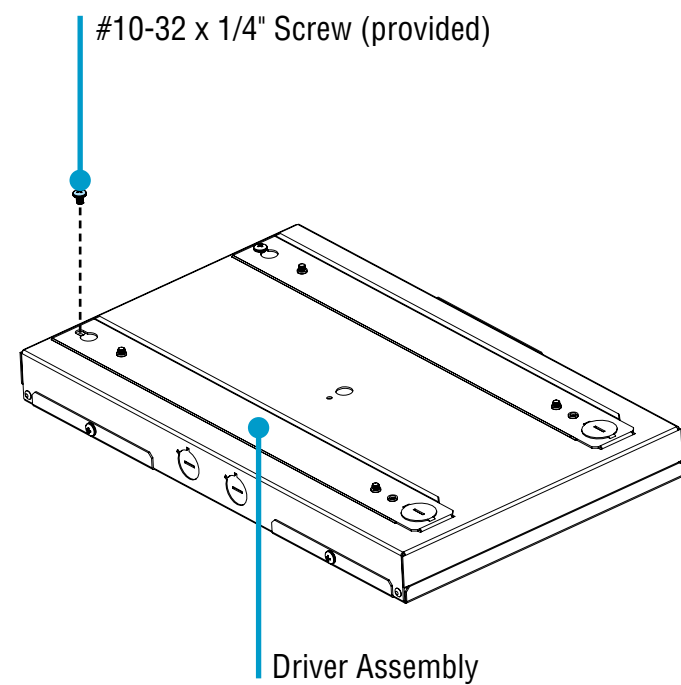
# E2 Indirect/Direct Linear & Configuration With 6" Canopy

## Driver Replacement Instructions

### Low Profile T-Bar Power Supply Box

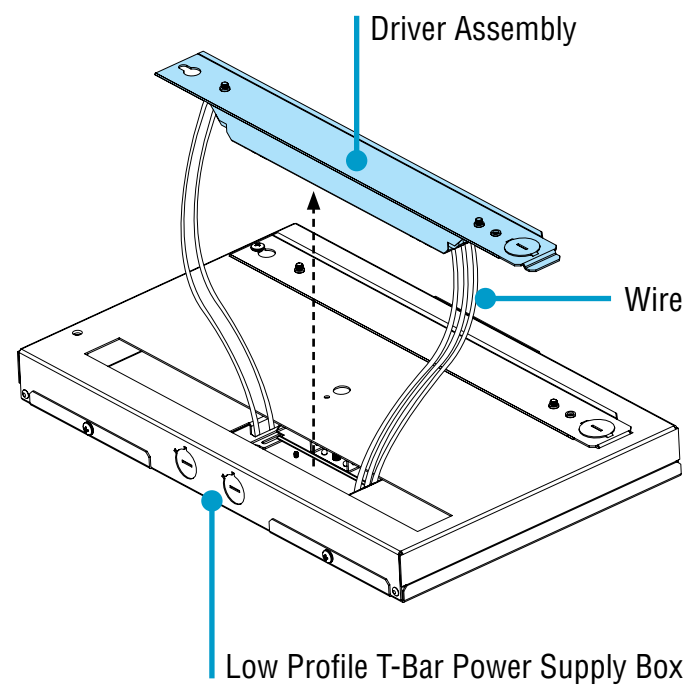


#### A. Remove #10-32 x 1/4" Screw Top View



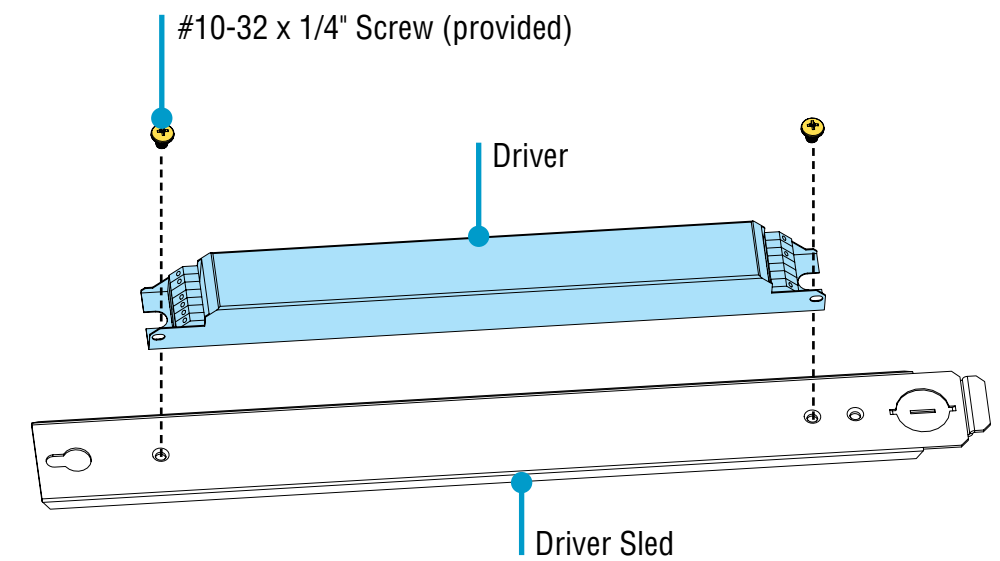
- Turn power off to luminaire.
- Remove #10-32 x 1/4" screw from driver assembly.

#### B. Remove Driver Assembly Top View

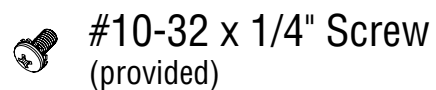


- Remove driver assembly from low profile T-Bar power supply box.
- Release wires from driver.

#### C. Remove & Replace Driver Side View



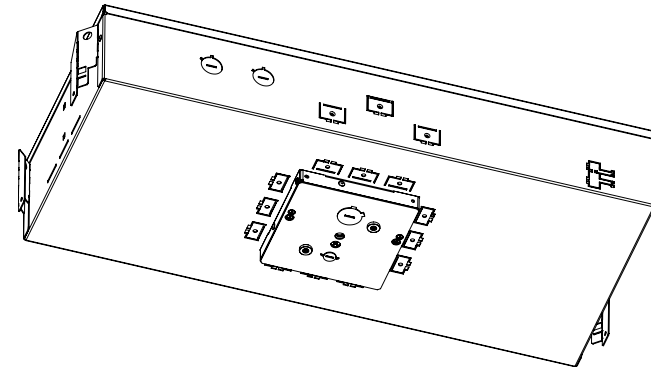
- Remove #10-32 x 1/4" screws from driver assembly.
- Remove old driver and replace with new driver.
- Replace #10-32 x 1/4" screws.
- Reconnect wires to driver.
- Replace driver assembly back into low profile T-bar power supply box.
- Replace #10-32 x 1/4" screw to secure driver assembly.
- Turn power on to luminaire.



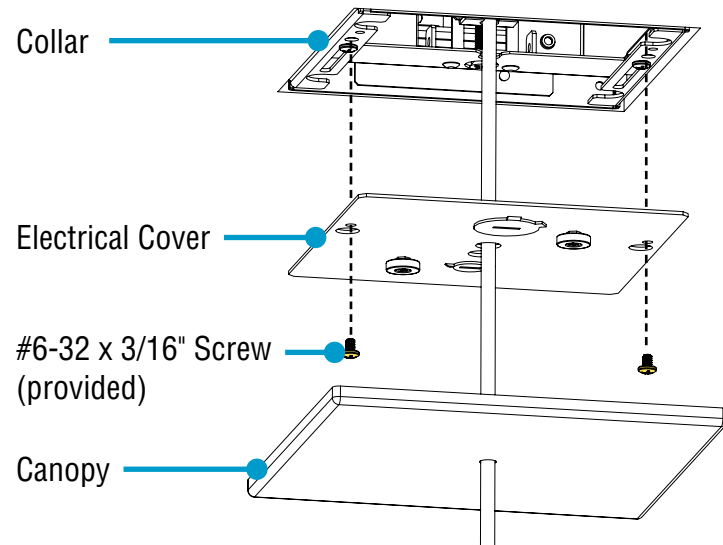
# E2 Indirect/Direct Linear & Configuration With 6" Canopy

## Driver Replacement Instructions

### Large Capacity T-Bar & Drywall Power Supply Box

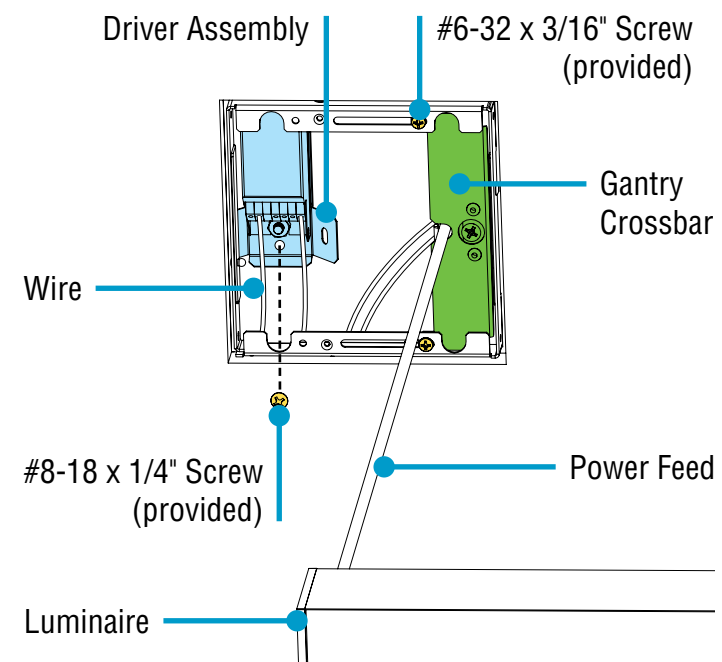


#### A. Access Driver Assembly Side View



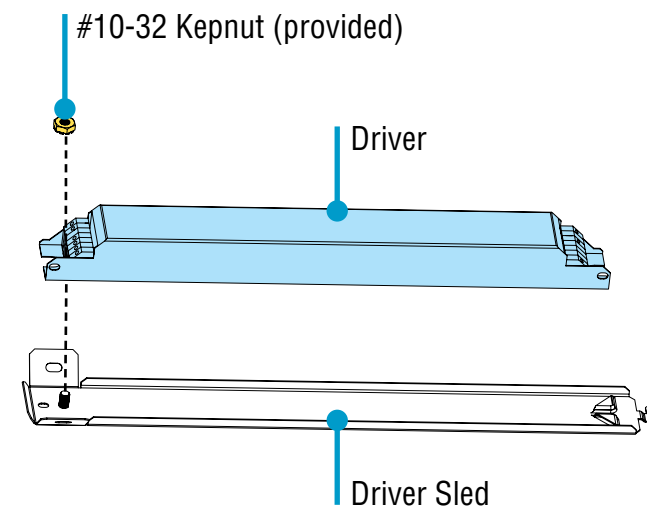
- Turn power off to luminaire.
- Remove canopy to uncover electrical cover.
- Remove #6-32 x 3/16" screws to release electrical cover from collar.

#### B. Remove Driver Assembly Bottom-Up View



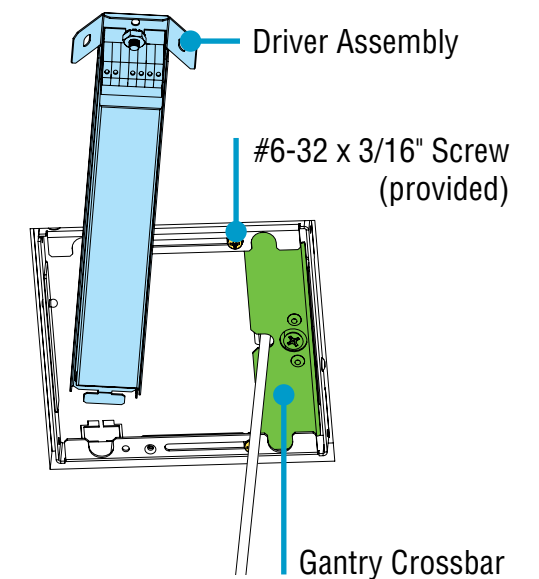
- Loosen #6-32 x 3/16" screws and slide gantry crossbar aside to access driver assembly.
- Release wires from driver.
- Remove #8-18 x 1/4" screw.
- Remove driver assembly from power supply box.

#### C. Replace Driver Side View

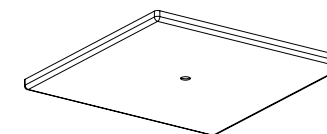
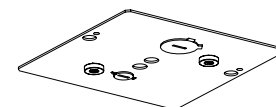
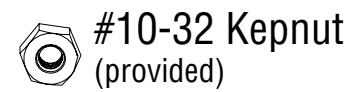
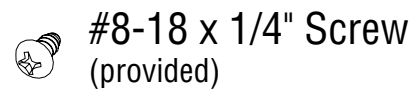
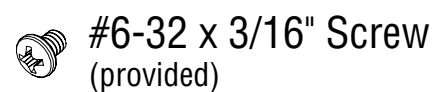


- Remove #10-32 kepnut to release driver from driver sled.
- Remove old driver and replace with new driver.
- Replace #10-32 kepnut to secure driver.

#### D. Replace Driver Assembly Bottom-Up View



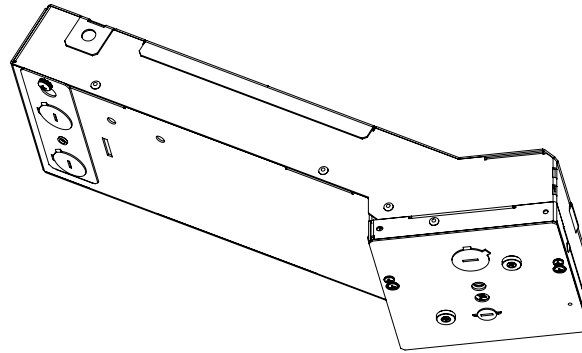
- Slide driver assembly back into power supply box.
- Secure with #8-18 x 1/4" screw.
- Reconnect wires to driver.
- Slide gantry crossbar back and secure by tightening #6-32 x 3/16" screws.
- Replace electrical cover and canopy.
- Turn power on to luminaire.



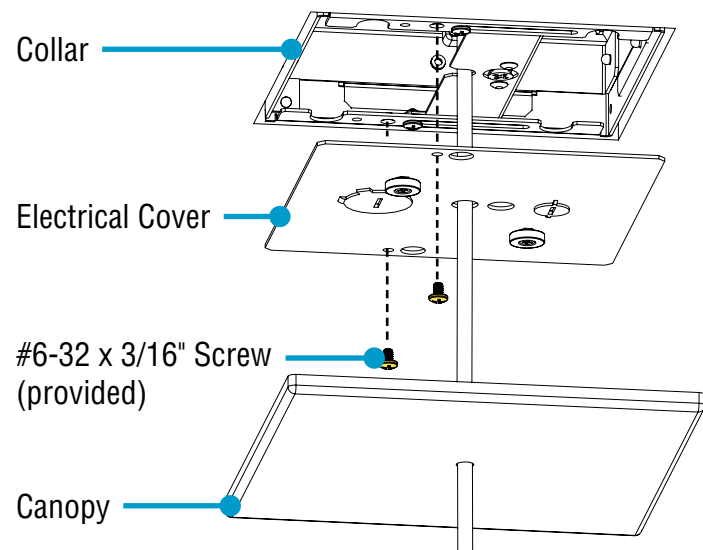
# E2 Indirect/Direct Linear & Configuration With 6" Canopy

## Driver Replacement Instructions

### Retrofit T-Bar & Drywall Power Supply Box

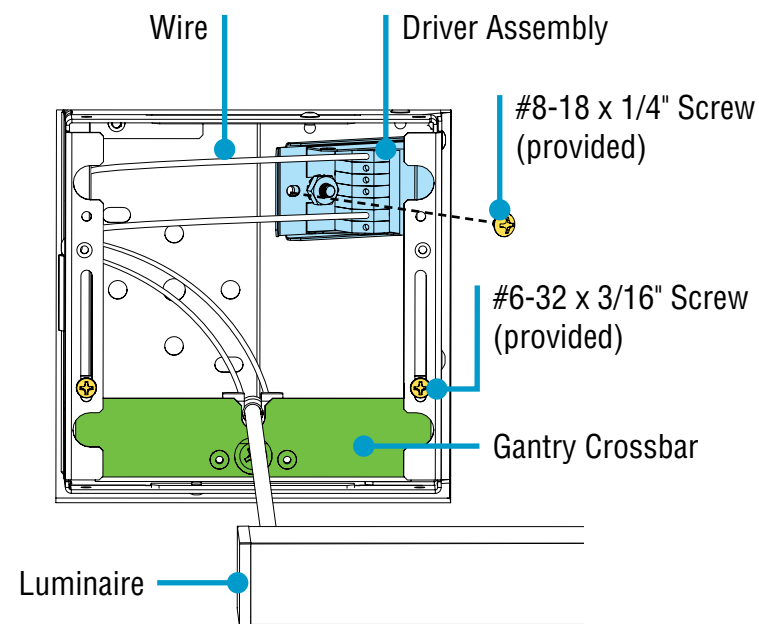


#### A. Access Driver Assembly Side View



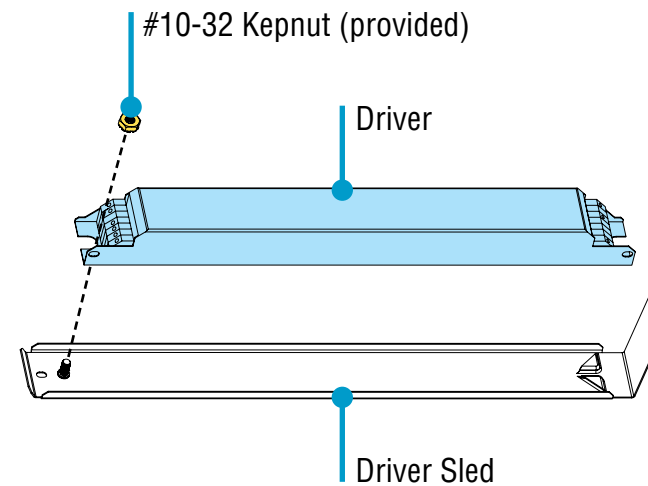
- Turn power off to luminaire.
- Remove canopy to uncover electrical cover.
- Remove #6-32 x 3/16" screws to release electrical cover from collar.

#### B. Remove Driver Assembly Bottom-Up View



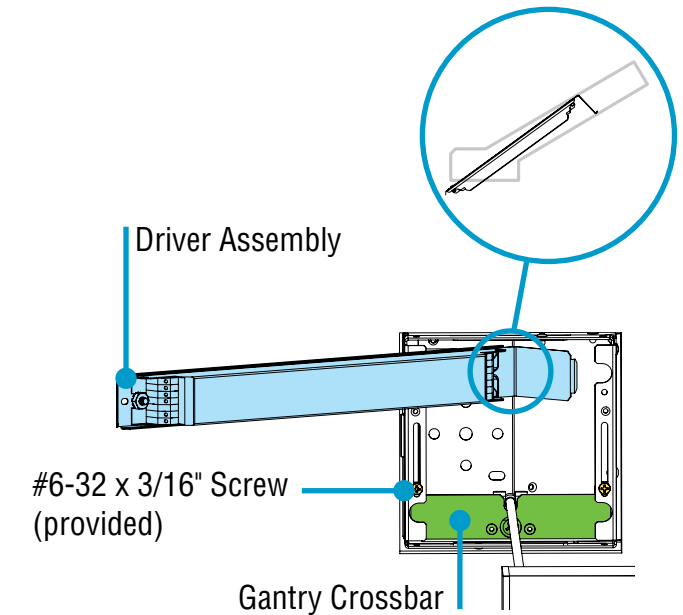
- Loosen #6-32 x 3/16" screws and slide gantry crossbar aside to access driver assembly.
- Release wires from driver.
- Remove #8-18 x 1/4" screw.
- Remove driver assembly from power supply box.

#### C. Replace Driver Side View



- Remove #10-32 kepnut to release driver from driver sled.
- Remove old driver and replace with new driver.
- Replace #10-32 kepnut to secure driver.

#### D. Replace Driver Assembly Bottom-Up View



- Slide driver assembly back into power supply box.
- Secure with #8-18 x 1/4" screw.
- Reconnect wires to driver.
- Slide gantry crossbar back and secure by tightening #6-32 x 3/16" screws.
- Replace electrical cover and canopy.
- Turn power on to luminaire.

