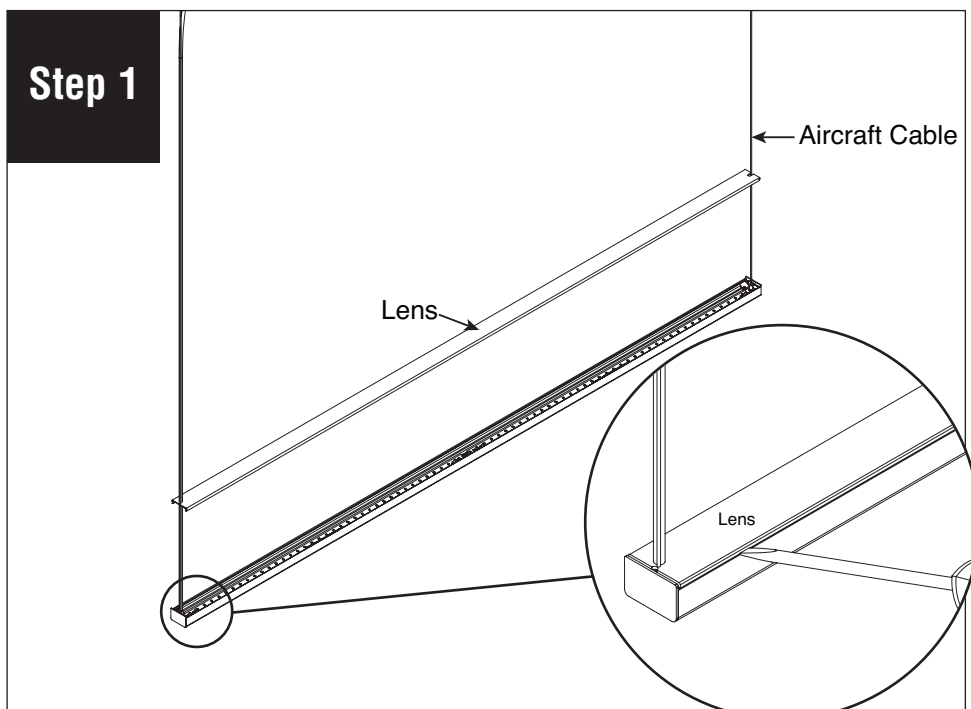


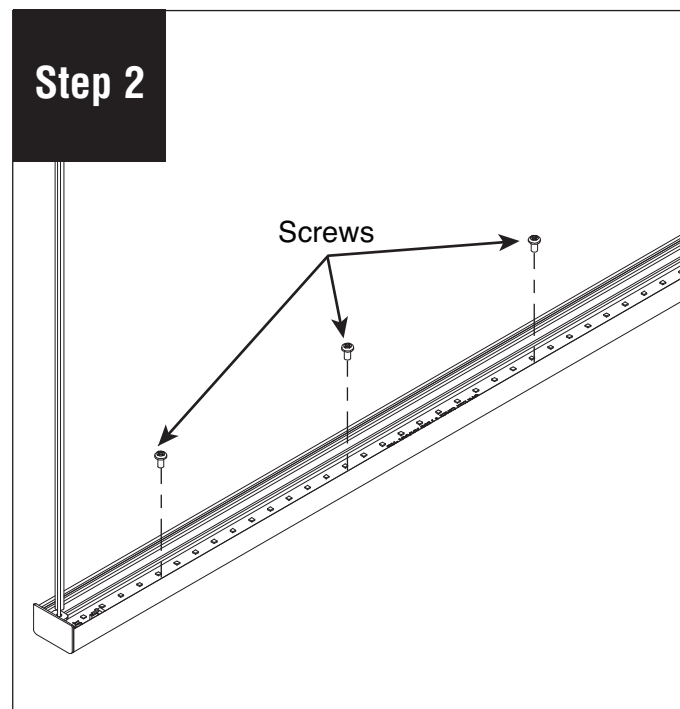
# E1- Indirect LED Light Engine Replacement Installation Instructions

## For Linear and Configuration

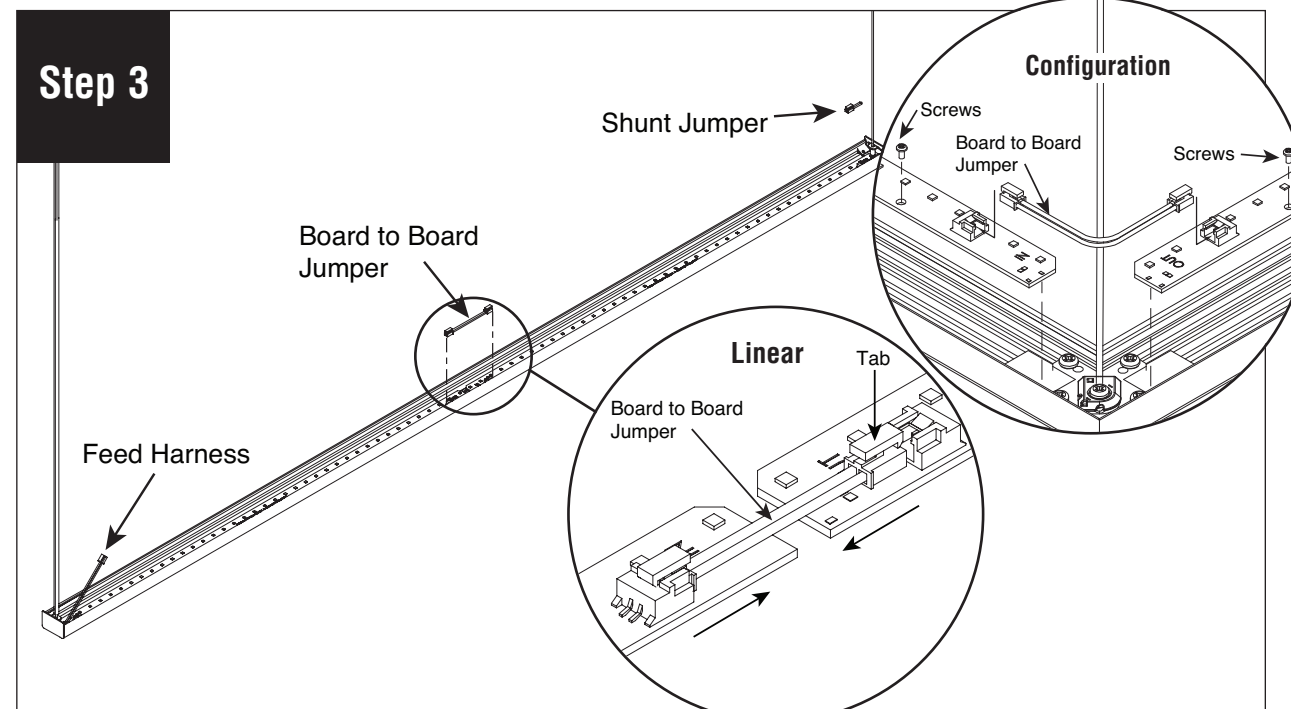
Steps Can Be Apply To Linear Or Configuration



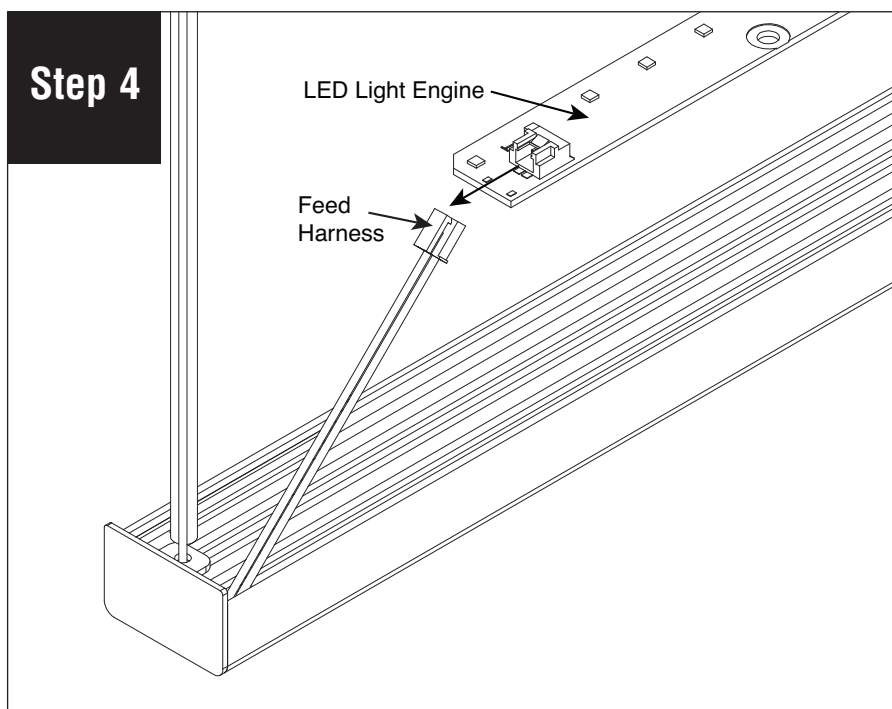
Remove lens from fixture. If necessary, use a screwdriver or credit card to separate lens from body. Be careful not to scratch the paint on the body.



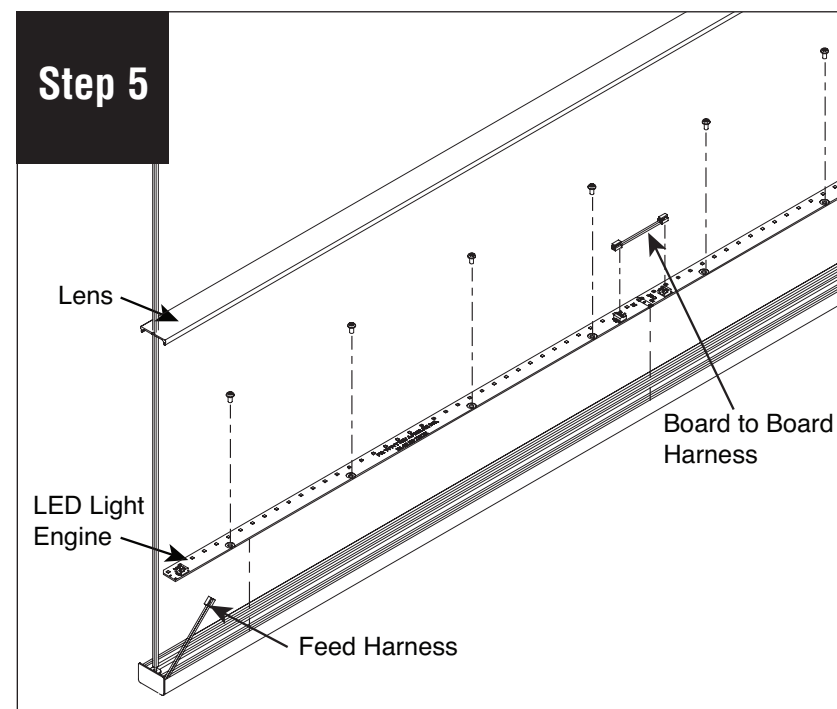
Remove all screws (2 screws per 1' of LED light engine).



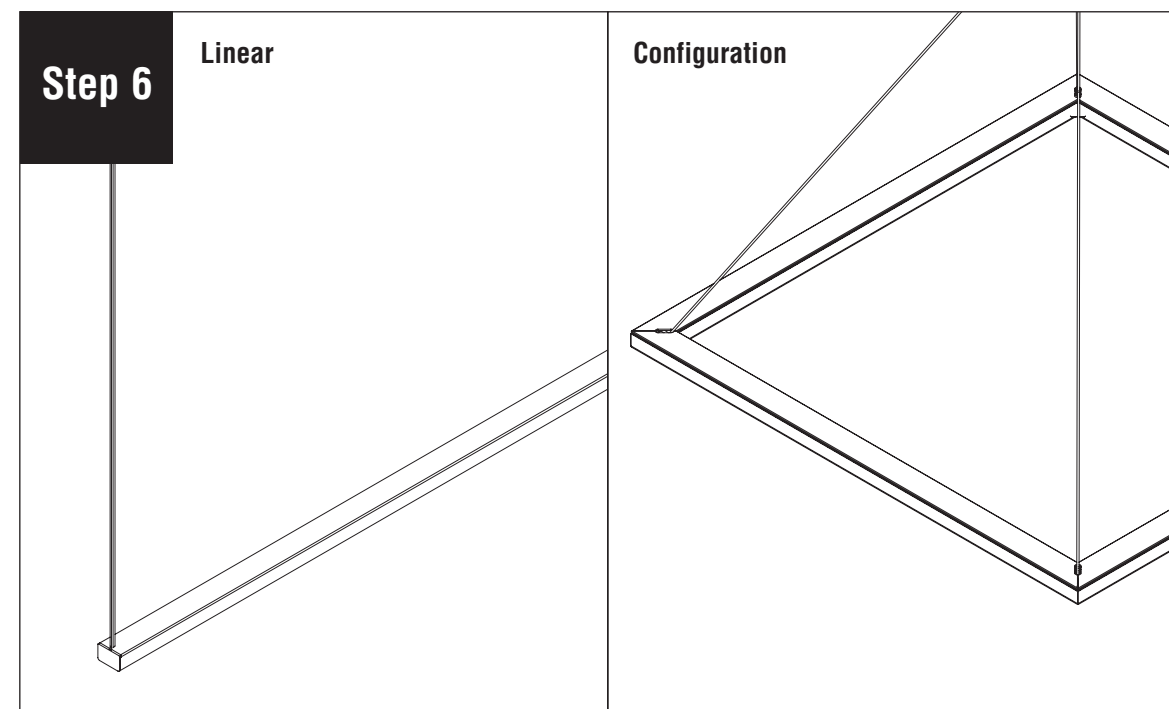
Locate and disconnect all connectors to remove jumpers. Push down on tab and slide out to remove.



Disconnect feed harness from LED light engine. Do not remove it from fixture.



Install new LED light engine, Reconnect jumpers and feed harness.



Reinstall lens. Turn power on to fixture.