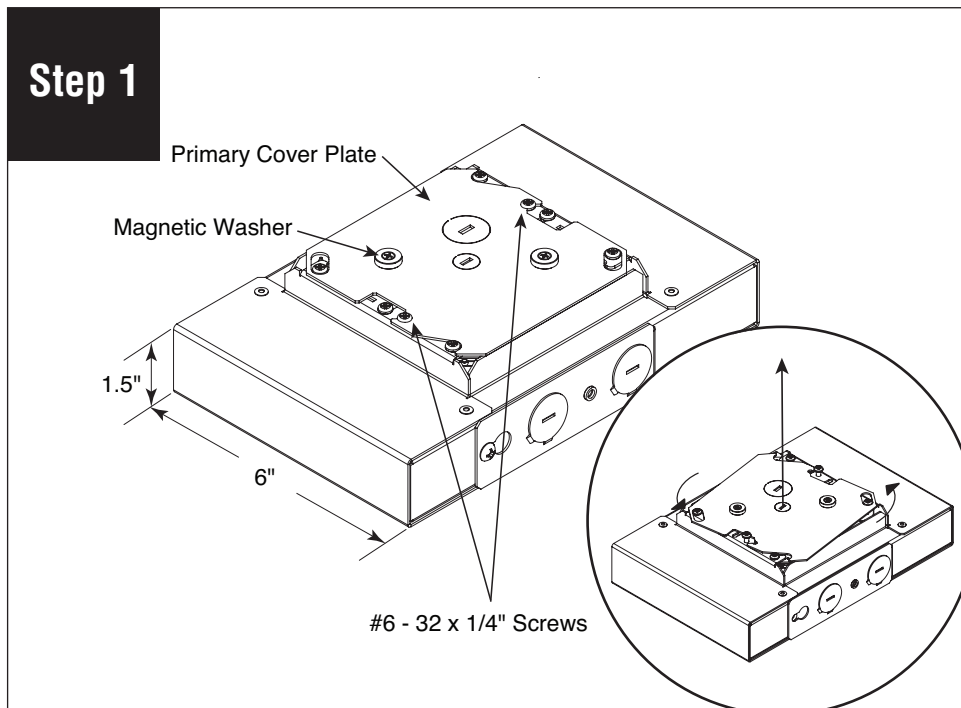
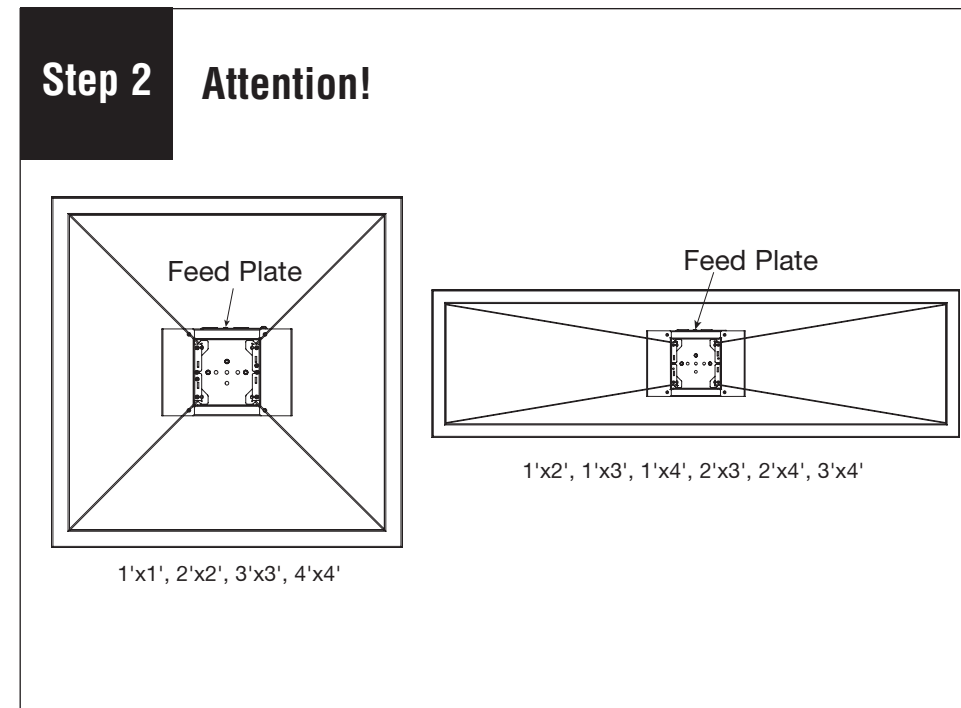


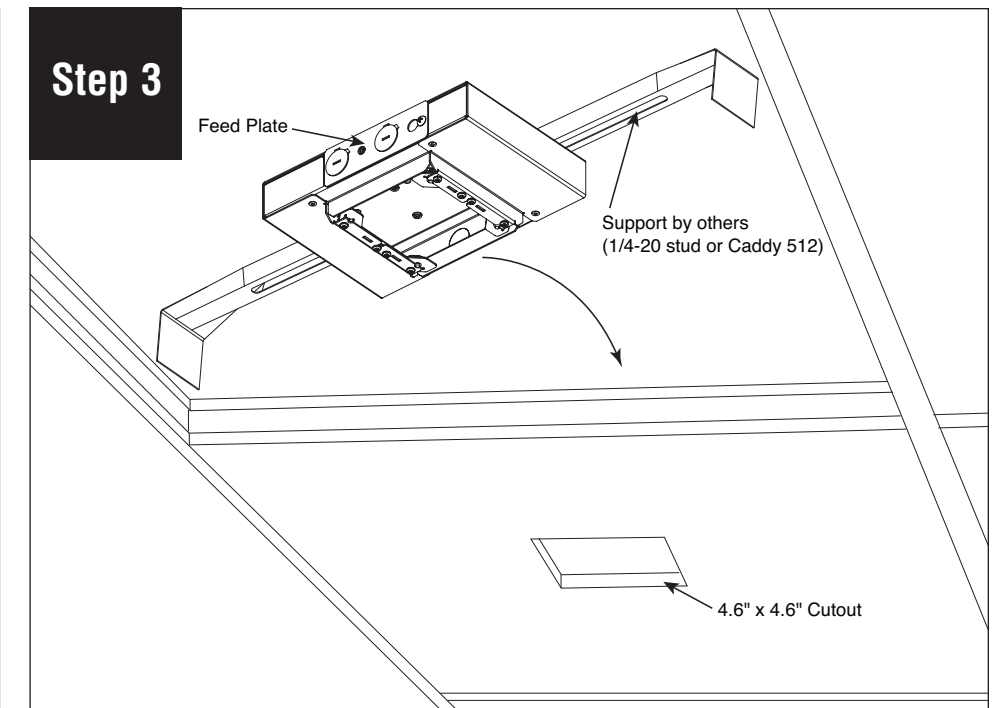
E1-Indirect LED (Configuration) Grid Ceiling Installation Instructions



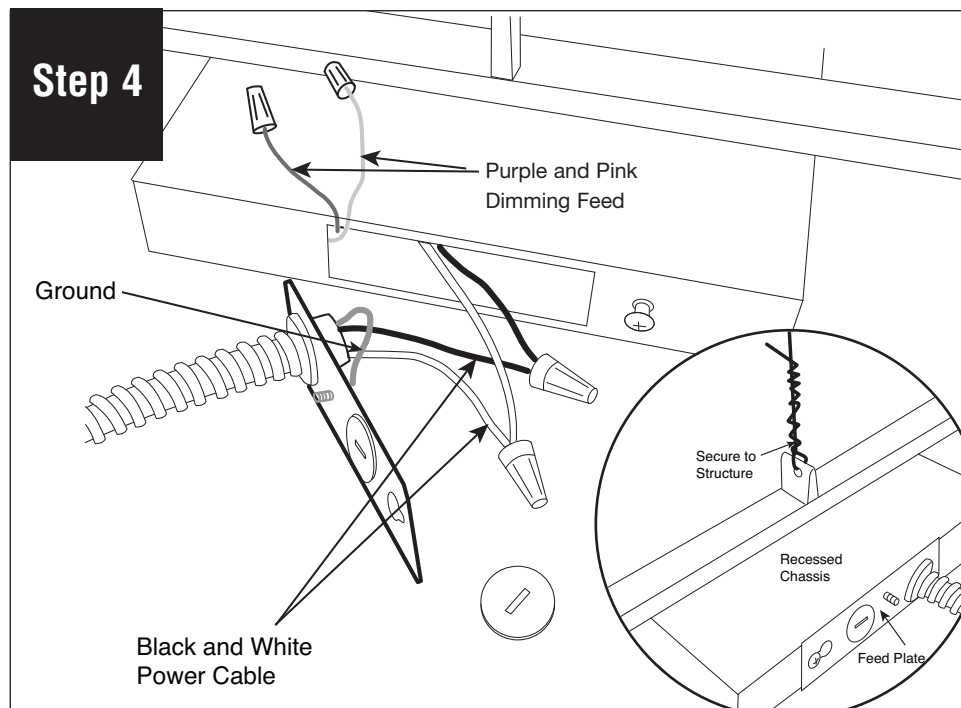
Remove recessed power supply box from packaging. Loosen 2 #6 -32 x 1/4" screws with #2 Philips screw driver and rotate primary cover plate to remove.



Final fixture orientation depends on power supply box and cutout alignment.

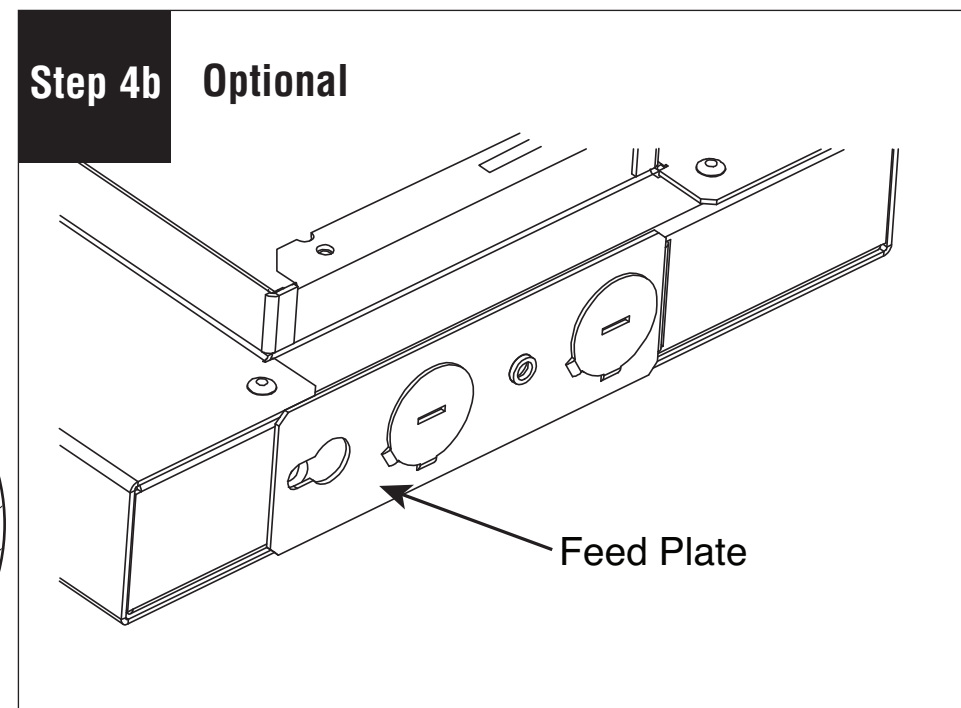


Cut 4.6" x 4.6" square opening in ceiling tile. Remove feed plate and mount the recessed chassis to ceiling grid over cutout. Support to structure according to local codes.

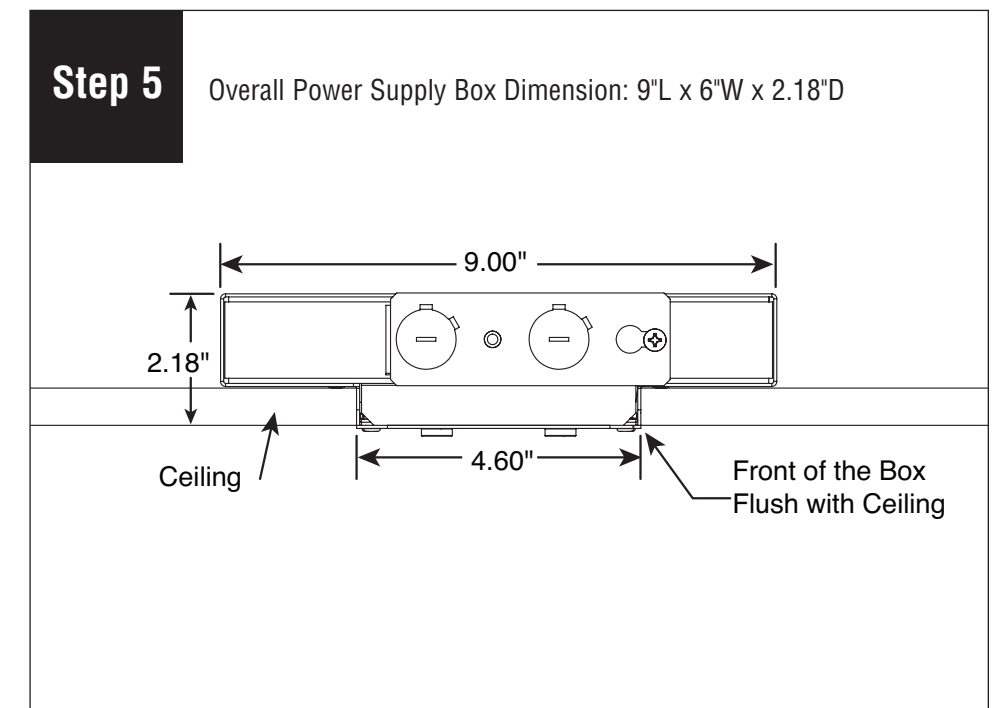


Connect conduit to the feed plate and make electrical connections*. Reinstall the feed plate to the recessed chassis. Connect purple and pink dimming wires to dimming system or cap them individually if luminaire is not to be dimmed.

*According to local and NEC wiring codes



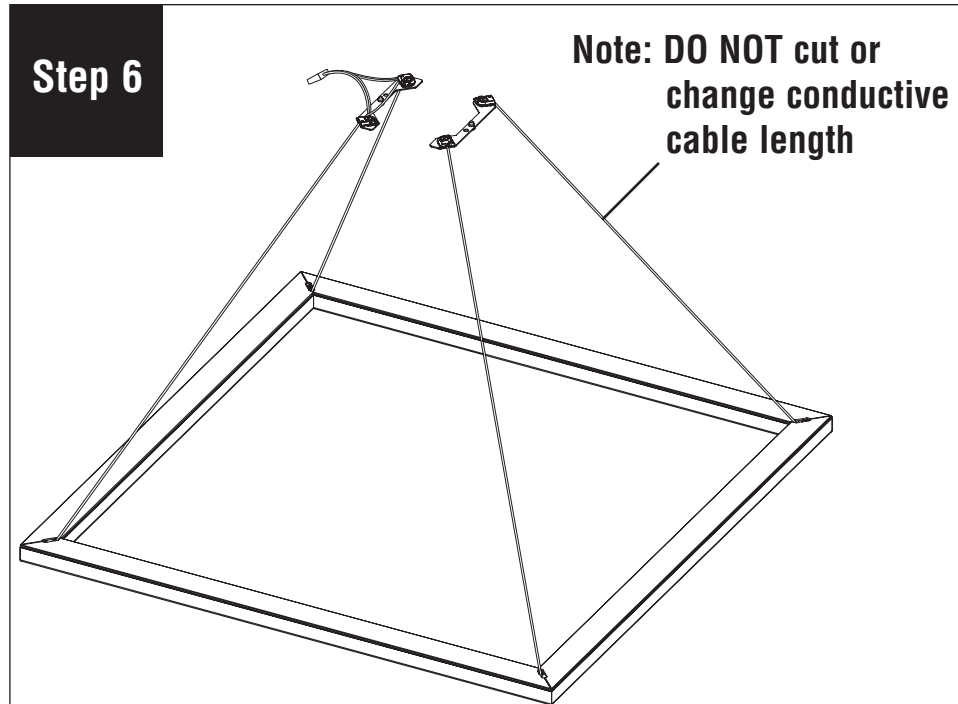
Add 4"x4" J-Box if additional room is required to make electrical connections.



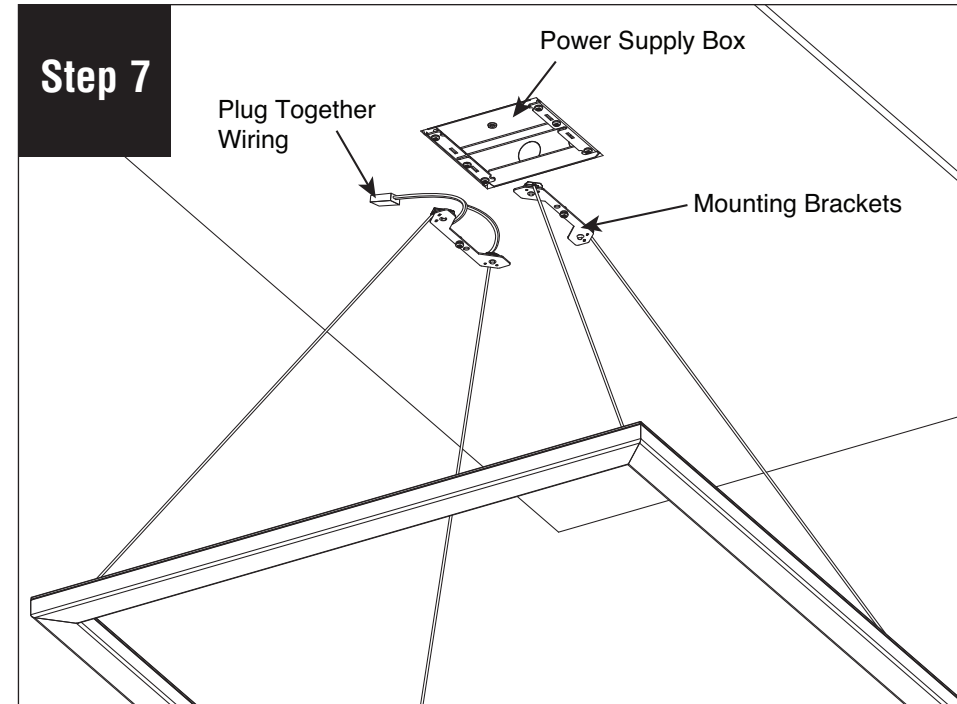
Ensure that front of power supply box is flush with ceiling.

Note: All power connections to be installed to local/national codes by a Certified Electrician.

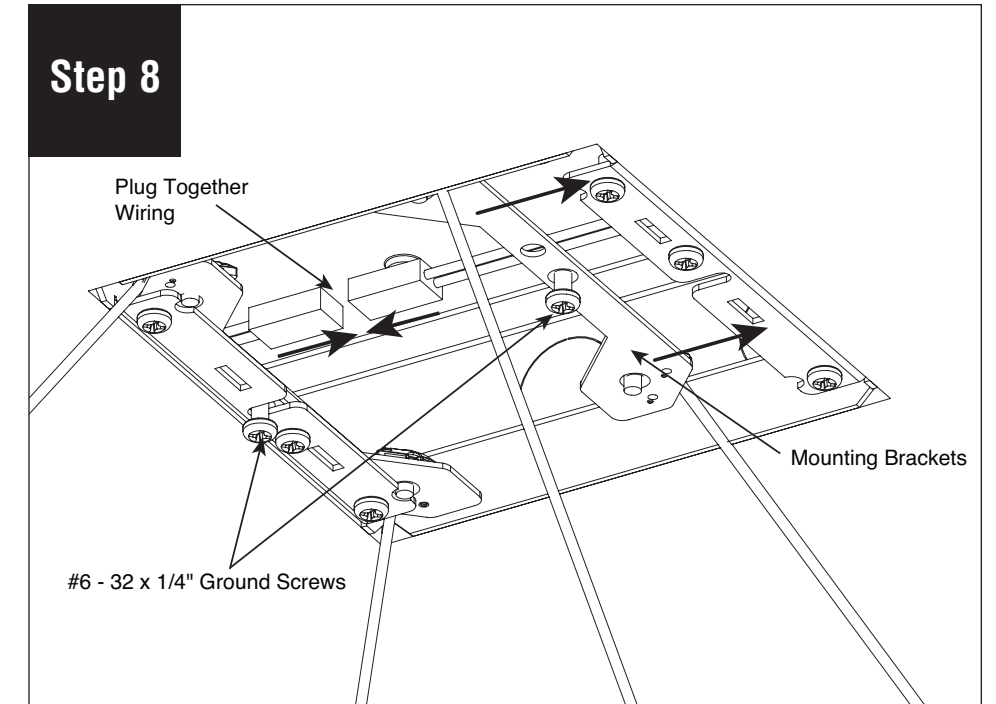
E1-Indirect LED (Configuration) Grid Ceiling Installation Instructions



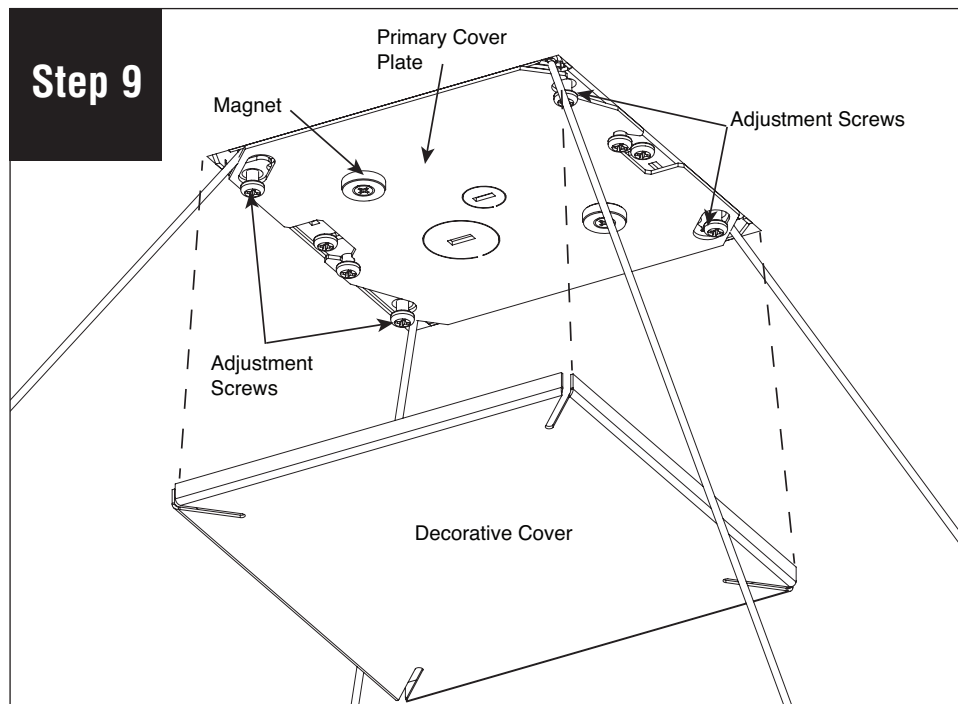
Remove fixture from box and carefully uncoil cables. Avoid bending or kinking cables.



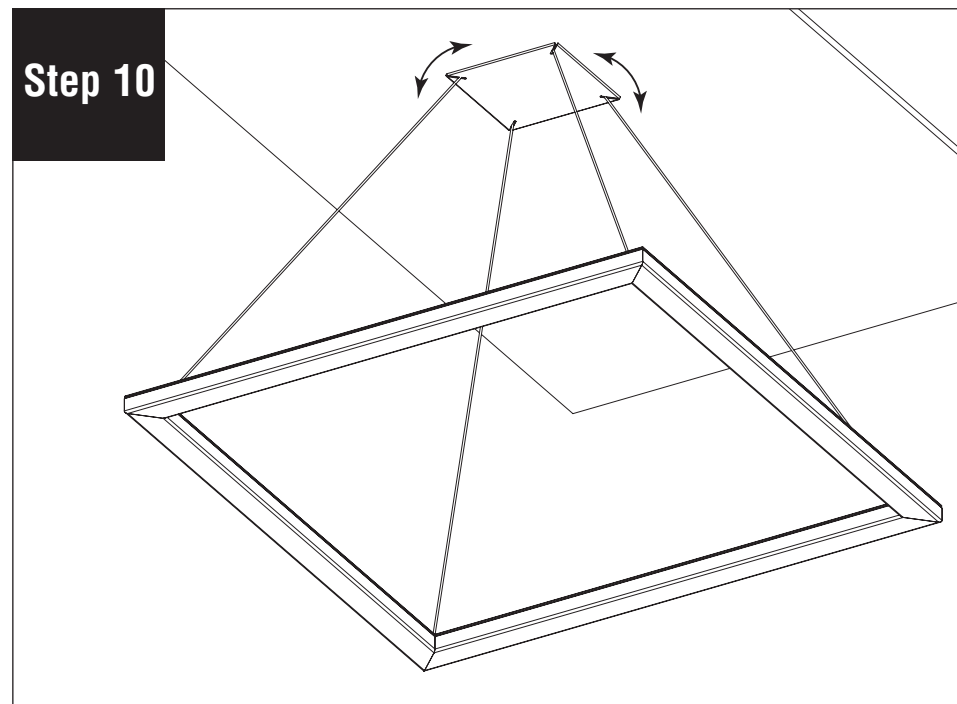
Install fixture in power supply box.



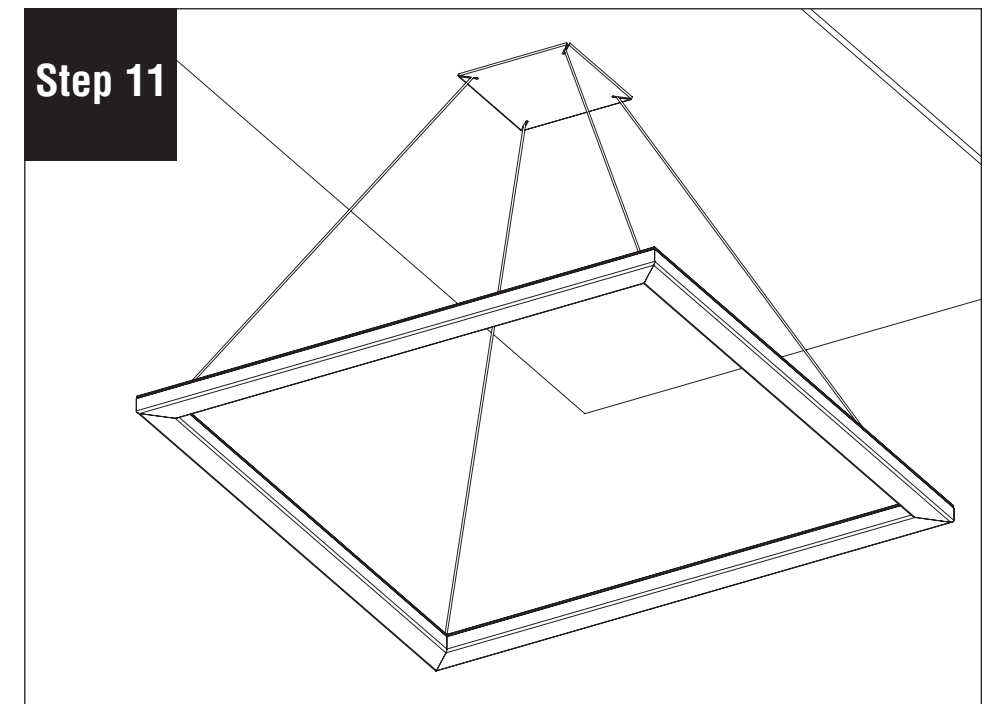
Slide mounting brackets into power supply box. Tighten ground screws to secure fixture to power supply box. Connect plug together wiring.



Level fixture using 4X #6-32 x 1/4" adjustment screws at each corner of the power supply box. When leveling is complete, attach decorative cover to magnets on power supply box.



Perform final alignment with grid by twisting canopy.



Ensure that power cables run smoothly through slots of decorative canopy and conductive power cables are straightened. Turn power on to fixture.