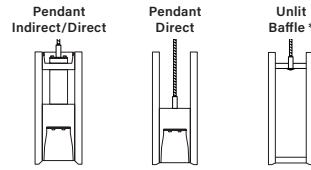


Pendant Mounting and Feed Guide

High Performance 2" Aperture Acoustic



FINELITE®
Better Lighting

Customer: _____ Job: _____ PO: _____

SUSPENSION TYPES

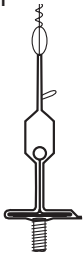


Fully Adjustable
1/4 X 20 threaded coupler

- 50" Standard** 89512
 100" Standard 89513
 150" Standard 89514
 Custom

MOUNTING HARDWARE

On-Grid 1" T-Bar Support
94001



C1

On-Grid 9/16" T-Bar Support
94020



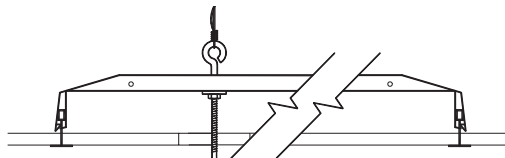
C2

On-Grid 1" Screw Slot T-Bar Support
94029



C3

Caddy 512 HD Between T-Bar Supports
89316



9/16" Screw Slot HD with Extended Stud for Tegular Tile
94029 & 94067



POWER FEED LIT ONLY

Feed options not applicable to unlit baffle

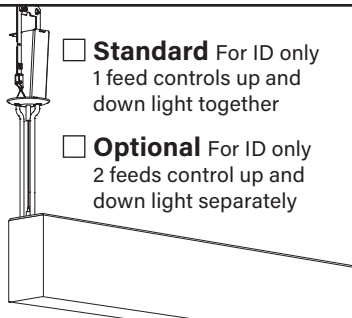
Straight 18/5 SJT Cord
96105



1 Circuit
+ 0-10V
Dimming

Standard For ID only
1 feed controls up and down light together

Optional For ID only
2 feeds control up and down light separately



Straight 18/3 SJT Cord
96099



No 0-10V
Dimming
Control

Straight 18/5 SJT Cord 2 Circuit
96105



No 0-10V
Dimming
Control

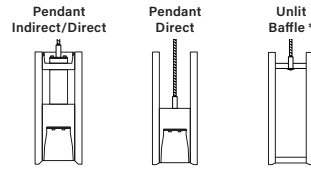
Cord and Plug



* Only mounting and length guides applicable to unlit baffle

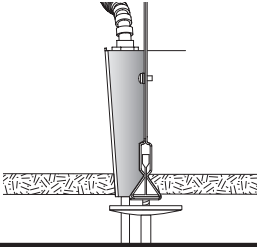
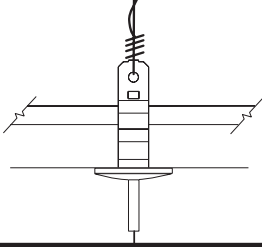
Pendant Mounting and Feed Guide

High Performance 2" Aperture Acoustic

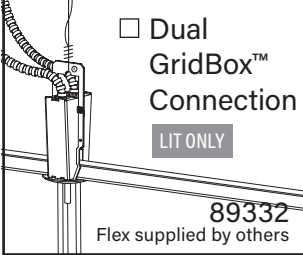
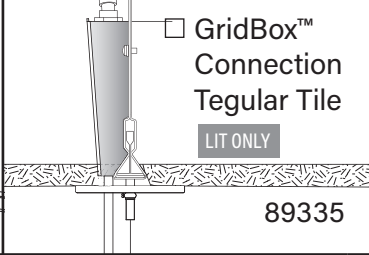
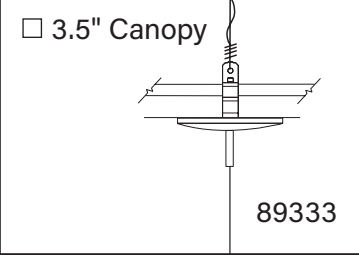
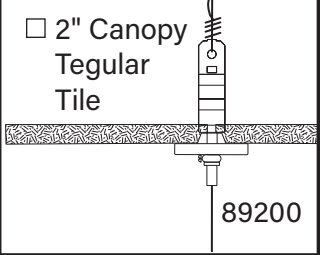
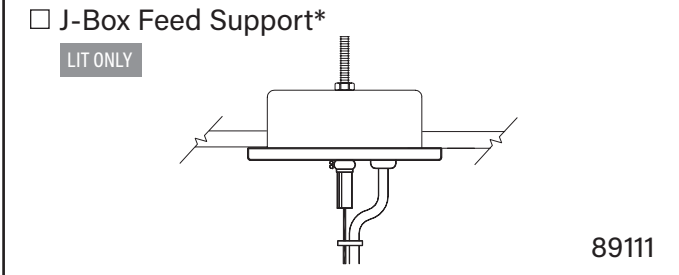
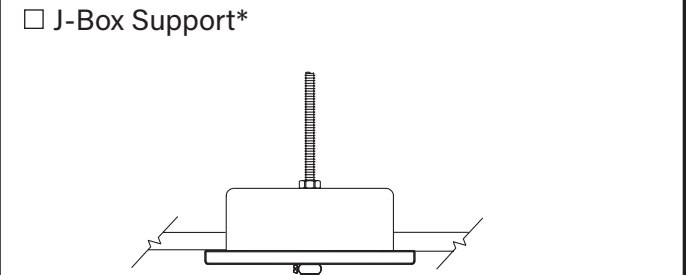
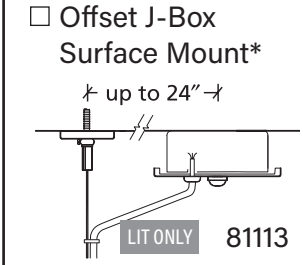
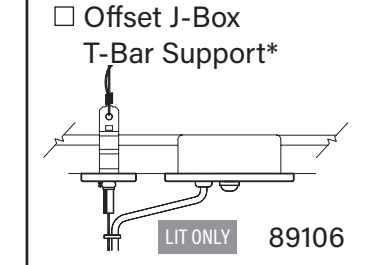
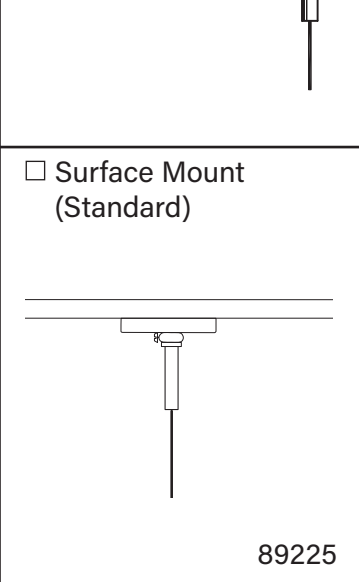
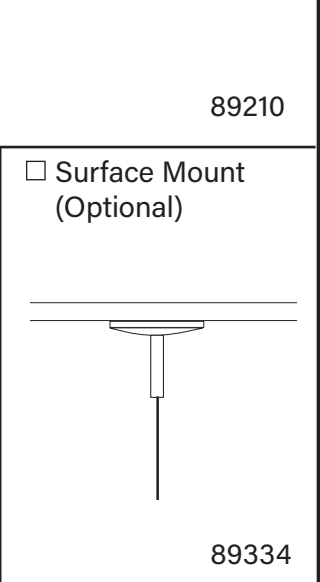
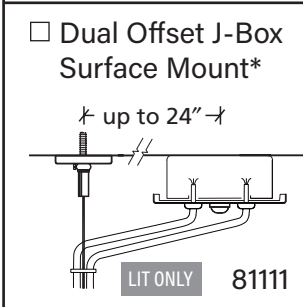
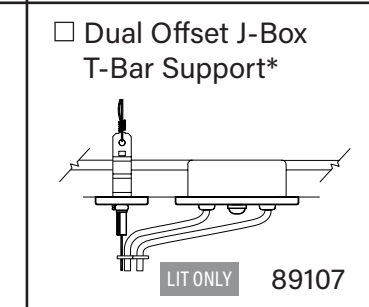


FINELITE®
Better Lighting

Customer: _____ Job: _____ PO: _____

Finelite Standard	<p>Power Connection & Support LIT ONLY</p> <p><input type="checkbox"/> Finelite GridBox™ Flex supplied by others.</p>  <p>89330</p>	<p>Non-Power Connection & Support</p> <p><input type="checkbox"/> 2" Canopy</p>  <p>89331</p>
--------------------------	---	---

* Supplied with 5" Canopy.

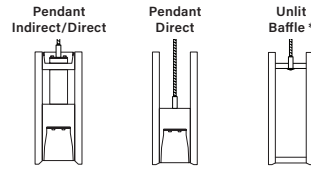
Options	<p><input type="checkbox"/> Dual GridBox™ Connection LIT ONLY</p> <p>Flex supplied by others</p> <p>89332</p> 	<p><input type="checkbox"/> GridBox™ Connection Tegular Tile LIT ONLY</p> <p>89335</p> 	<p><input type="checkbox"/> 3.5" Canopy</p> <p>89333</p> 	<p><input type="checkbox"/> 2" Canopy Tegular Tile</p> <p>89200</p> 
	<p><input type="checkbox"/> J-Box Feed Support* LIT ONLY</p> <p>89111</p> 	<p><input type="checkbox"/> J-Box Support*</p> <p>89210</p> 		
Options	<p><input type="checkbox"/> Offset J-Box Surface Mount*</p> <p>↔ up to 24" ↔</p> <p>LIT ONLY 81113</p> 	<p><input type="checkbox"/> Offset J-Box T-Bar Support*</p> <p>LIT ONLY 89106</p> 	<p><input type="checkbox"/> Surface Mount (Standard)</p> <p>89225</p> 	<p><input type="checkbox"/> Surface Mount (Optional)</p> <p>89334</p> 
	<p><input type="checkbox"/> Dual Offset J-Box Surface Mount*</p> <p>↔ up to 24" ↔</p> <p>LIT ONLY 81111</p> 	<p><input type="checkbox"/> Dual Offset J-Box T-Bar Support*</p> <p>LIT ONLY 89107</p> 	<p><input type="checkbox"/> Custom Power Connection</p>	<p><input type="checkbox"/> Custom Non-Power Connection</p>
Options	<p><input type="checkbox"/> Custom Power Connection</p>	<p><input type="checkbox"/> No Connection</p>		

Hardware compatible with 4" octagonal J-Box. Consult Finelite Customer Service for pricing on all options.

* Only mounting and length guides applicable to unlit baffle

Pendant Mounting and Feed Guide

High Performance 2" Aperture Acoustic

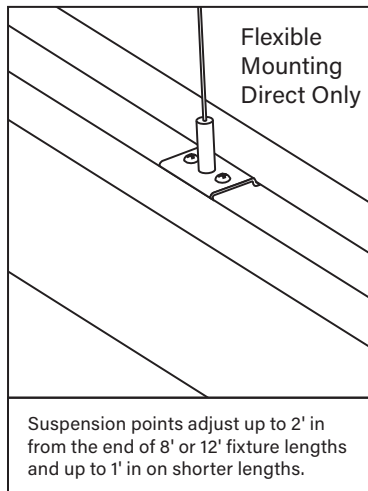
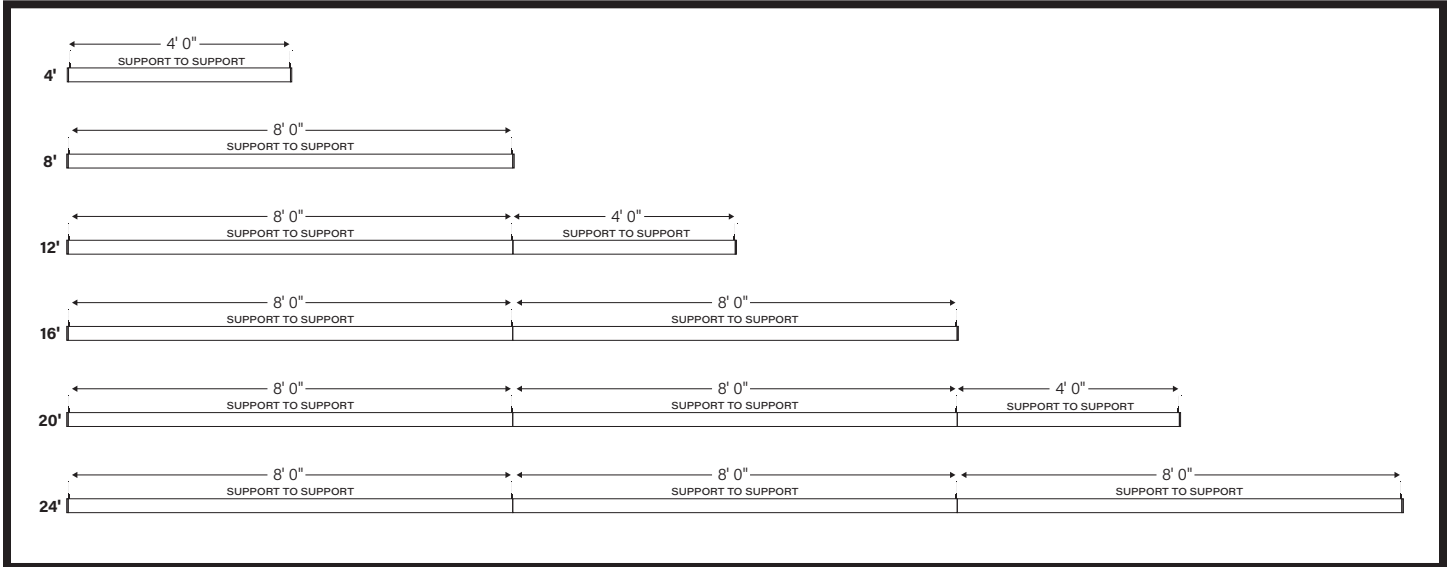


FINELITE®
Better Lighting

Customer: _____ Job: _____ PO: _____

LENGTHS

Standard Fixture Lengths and Support Locations



Fully Adjustable



* Only mounting and length guides applicable to unlit baffle