

Submitted by:		Date:
Type:	Project:	
Ordering Info:		

# HPX Product Family



The High Performance 2.5" Aperture (HPX) is a patented LED linear luminaire with a square micro profile and internal driver design. This line of light luminaire delivers excellent performance, and is equipped with a unique LED configuration for superior illumination. Output can be enhanced with advanced optical options. Available in Pendant and Surface Mount, HPX can be tailored from 2' to 12' sections in 1' increments.

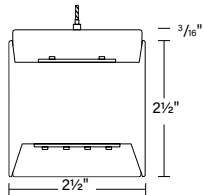
This product is enrolled in the International Living Future Institute (ILFI) Declare 2.0 Program and is third-party verified with options achieving Red List Approved and Declared status.

Signal White is standard finish

## CROSS SECTIONS

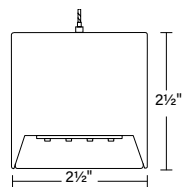
### Indirect/Direct

Top Glow Diffuser  
(standard)



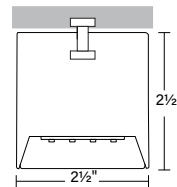
Flush Downlight Diffuser  
(standard)

### Direct



Flush Downlight Diffuser  
(standard)

### Surface Mount



Flush Downlight Diffuser  
(standard)

## LUMEN OUTPUT PACKAGES



Standard



Boosted  
Standard



High



Very High

## PERFORMANCE

Up to  
**2057**  
Lumens per Foot

Up to  
**125**  
Lumens per Watt



Declare.



Protected by one or more US Patents: 8915613; 9681516,B2; D702,390 Page 1

Submitted by:		Date:
Type:	Project:	
Ordering Info:		

# HPX Product Family

## BODY TYPE

Platform	Series Name	Luminaire Type	Luminaire Distribution	Total Run Length of Configuration
HP - High Performance	X - 2.5" Square	P - Pendant SM - Surface Mount <sup>7</sup>	D - Direct ID - Indirect/Direct	Minimum 2' section length. Increments of 1'; 12' maximum section length

## OUTPUT and LED TYPE

## MECHANICAL/OPTICAL OPTIONS

Uplight Output ID Only	Downlight Output	LED CRI/CCT	Uplight Option ID Only	Downlight Option
S - Standard B - Boosted Standard H - High V - Very High TL - Tailored: _____ lm/ft * * Specify lm/ft of outputs between Standard (S) and Very High (V). Consult factory for tailored lumen output outside of this range.	S - Standard B - Boosted Standard H - High V - Very High TL - Tailored: _____ lm/ft *	830 - 80 CRI min, 3000K 835 - 80 CRI min, 3500K 840 - 80 CRI min, 4000K 930 - 90 CRI min, 3000K 935 - 90 CRI min, 3500K 940 - 90 CRI min, 4000K 8TW - 80 CRI min, Tunable White 9TW - 90 CRI min, Tunable White	TG - Top Glow (Standard) F - Flush Diffuser WSO - Widespread Optic WSOTG - Widespread Optic with Top Glow ASYTG-L - Asymmetric Left Optic with Top Glow ASYTG-R - Asymmetric Right Optic with Top Glow	F - Flush

## ELECTRICAL OPTIONS

Voltage	Circuiting <sup>1</sup>	Driver Selection <sup>2</sup>
120 - 120 Voltage 277 - 277 Voltage 347 - 347 Voltage	<b>SC</b> - Single Circuit* One single circuit in a run <b>DC</b> - Dual Circuit* Independent control of up and down separately in an I/D style fixture <b>MC</b> - Multi Circuit* More than one switch leg or zone (not 'DC' independent control of up and down separately for an I/D style fixture). Factory shop drawings required  *Battery, Night Light, and Emergency to Generator circuits are in addition to the normal luminaire circuit(s)	<b>0-10V Driver Options</b> <b>FC-10%</b> - 0-10V 10% (standard) <sup>3</sup> <b>FC-1%</b> - 0-10V 1% <sup>3</sup> <b>OSR-10%</b> - Osram OTi, 0-10V 10% <sup>3</sup> <b>OSR-1%</b> - Osram OTi, 0-10V 1% <sup>3</sup> <b>ELD-10V</b> - EldoLED SOLOdrive, 0-10V 0.1% <b>10V-TW</b> - Osram OTi, 0-10V 10% (Tunable White) <sup>3</sup> <b>DALI Driver Options</b> <b>FC-DALI</b> - DALI 1% <b>OSR-DALI</b> - Osram Dexal, 1% <b>ELD-DALI</b> - EldoLED SOLOdrive, DALI 0.1% <b>DALI-TW</b> - EldoLED Dual Drive Light Shape, 1% (Tunable White)
		<b>DMX Driver Options</b> <b>FIN-DMX</b> - Finelite DMX 1% (Tunable White - FineTUNE Controls Only) <sup>4</sup> <b>DMX</b> - EldoLED POWERdrive, 0.1% <b>DMX-TW</b> - EldoLED POWERdrive, 0.1% (Tunable White) <b>Lutron Driver Options</b> <b>LUT-ES1</b> - Lutron, Ecosystem 1% <b>LUT-2W</b> - Lutron, 2-wire (120v only) 1% <b>LUT-TW</b> - Lutron T-Series, EcoSystem 0.1% (Tunable White)
		See Page 3 for additional driver options and details

## MOUNTING OPTIONS

## OTHER OPTIONS

Mounting Method	Ceiling Hardware Type	Endcap Style	Finish	Emergency Style (Optional)	Integrated Sensor (Optional)
FA50 - Fully Adjustable 50" FA100 - Fully Adjustable 100" FA150 - Fully Adjustable 150" FA200 - Fully Adjustable 200" FA250 - Fully Adjustable 250" FA300 - Fully Adjustable 300" FM - Flexible Mounting <sup>5</sup>	C1 - 1" T-Bar <sup>6</sup> C2 - 9/16" T-Bar <sup>6</sup> C3 - Screw Slot <sup>6</sup> C4 - Hard Ceiling <sup>6</sup> C1T - 1" Tegular <sup>6</sup> C2T - 9/16" Tegular <sup>6</sup> SMC4 - Surface Mount Hard Ceiling, no grid mount options. (Only available option for HPX-SM)	FE - Flat Endcap	SW - Signal White FB - Finelite Black <sup>7</sup> SA - Satin Aluminum <sup>7</sup> #### - RAL Color Code <sup>7</sup>	LGD18W - Legrand 18W Brand Battery Back-up LGD10W - Legrand 10W Brand Battery Back-up EM/GEN - Emergency to Generator NL - Night Light BSL310LP - Bodine Battery Back up Low Profile <sup>8</sup> GTD - Generator Transfer Device ALCR - Automatic Load Control Relay	OBO - Occupancy OBD - Daylight W601 - Wattstopper <sup>10</sup> Wireless Sensor OBE - Enlighted <sup>9</sup>

## OTHER OPTIONS

### Special Options (Optional)

- RLA - Red List Approved
- RLD - Declare

<sup>1</sup> Contact factory for switching options

<sup>2</sup> For Indirect/Direct lengths 3' and greater, separate dimming for uplight and downlight available

<sup>3</sup> Add DTO to gain "Dim to Off" functionality (FC-10% - DTO)

<sup>4</sup> B & V outputs only

<sup>5</sup> Direct only

<sup>6</sup> C1,C2,C3 T-bar mounting for Pendant Only.

<sup>7</sup> 20 Business day lead time for color

<sup>8</sup> BSL310LP work with HPX Direct 4ft without sensor only

<sup>9</sup> Enlightened components installed by Finelite; Provided by OTHER

<sup>10</sup> LMFS-601 w/ 0-10V driver(s) and LMFI-111, up to 6 drivers may be connected.

LMFS-601 w/ Dali driver, only 1 driver can be connected.

Submitted by:		Date:
Type:	Project:	
Ordering Info:		

# HPX Product Family

## SUPPLEMENTARY DRIVER PAGE

### 0-10V Driver Options

<b>FC-10%</b>	Factory Choice, 0-10V 10% Dimming (Linear)
<b>FC-10%-DTO</b>	Factory Choice, 0-10V 10% Dimming, Dim-to-Off (Linear)
<b>FC-1%</b>	Factory Choice, 0-10V 1% Dimming (Linear)
<b>FC-1%-DTO</b>	Factory Choice, 0-10V 1% Dimming, Dim-to-Off (Linear)
<b>ELD-10V-0%</b>	EldoLED SOLOdrive, 0-10V 0.1% Dimming (Linear)
<b>ELD-10V-1%</b>	EldoLED ECOdrive, 0-10V 1% Dimming (Linear)
<b>OSR-10V-TW</b>	Osram OTi, 0-10V 10% Dimming, Tunable White (Linear)
<b>OSR-10V-TWDTO</b>	Osram OTi, 0-10V 10% Dimming, Dim-to-Off, Tunable White (Linear)
<b>OSR-10%</b>	Osram OTi, 0-10V 10% Dimming (Linear)
<b>OSR-10%-DTO</b>	Osram OTi, 0-10V 10% Dimming, Dim-to-Off (Linear)
<b>OSR-1%</b>	Osram OTi, 0-10V 1% Dimming (Linear)
<b>OSR-1%-DTO</b>	Osram OTi, 0-10V 1% Dimming, Dim-to-Off (Linear)

### DALI Driver Options

<b>FC-DALI-1%</b>	Factory Choice, DALI 1% Dimming (Logarithmic)
<b>OSR-DALI-1%</b>	Osram Dexal, DALI 1% Dimming (Logarithmic)
<b>ELD-DALI-0%</b>	EldoLED SOLOdrive, DALI 0.1% Dimming (Logarithmic)
<b>ELD-DALI-1%</b>	EldoLED ECOdrive, DALI 1% Dimming (Logarithmic)
<b>ELD-DALI-TW</b>	EldoLED DUALdrive Light Shape, DALI 1% Dimming, Tunable White (Logarithmic Dimming, Linear CCT Control)

### DMX Driver Options

<b>FIN-DMX</b>	Finelite, DMX 1% Dimming, Tunable White - FineTUNE Controls Only (Linear)
<b>ELD-DMX</b>	EldoLED POWERdrive, DMX 0.1% Dimming (8 Bit, 1CH) (Linear)
<b>ELD-DMX-16</b>	EldoLED POWERdrive, DMX 0.1% Dimming (16 Bit, 2CH) (Linear)
<b>ELD-DMX-TW</b>	EldoLED POWERdrive, DMX 0.1% Dimming, Tunable White (8 Bit, 2CH - CH1 Warm / CH2 Cool) (Linear)
<b>ELD-DMX-TW16</b>	EldoLED POWERdrive, DMX 0.1% Dimming, Tunable White (16 Bit, 4CH - CH1, 2 Warm / CH3, 4 Cool) (Linear)

### Lutron Driver Options

<b>LUT-ES1</b>	Lutron, Ecosystem 1% Dimming
<b>LUT-2W</b>	Lutron, 2-wire (120v only) 1% Dimming
<b>LUT-TW</b>	Lutron T-Series, EcoSystem 1% Dimming, Tunable White

Submitted by:		Date:
Type:	Project:	
Ordering Info:		

# HPX Product Family

## SPECIFICATIONS

### BODY TYPE

**CONSTRUCTION:** Precision-cut 6061-T6 extruded aluminum body. Internal joiner system, plug-together wiring, standard.

**LENGTHS:** Any length, 2' minimum section length. Increments of 1'. 12' maximum section length. For Indirect/Direct, select a minimum body length of 3' or greater when requiring dual circuiting or when upright and downlight outputs differ.

### ARRAY TYPE

**LIGHT OUTPUT:** Four lumen packages available, Standard (S), Boosted Standard (B), High (H), and Very High (V). A separate chart summarizes lumen distribution and wattage. For Tailored Outputs outside of range from Standard (S) to Very High (V), consult factory. Light engines are replaceable.

### MECHANICAL FEATURES

**UPLIGHT OPTION <sup>1</sup>:** Patented Top Glow Frost White Diffuser, standard. 12' maximum diffuser length. Optical distribution pattern options include Widespread Optic (WSO); WSO enables increased luminaire spacing with improved ceiling uniformity, and Asymmetric (ASYTG-L / ASYTG-R). Asymmetric optic directs light in a specific direction. ASYTG-L distributes light to the left, ASYTG-R distributes light to the right of the luminaire. Consult factory for more tailored lumen outputs.

**DOWNLIGHT OPTION:** 12' maximum diffuser length. Flush (F) frost white snap-in diffuser, standard; 73% transmissive, 99% diffusion. Internal secondary diffusers at corners ensure visually seamless, uniform, continuous illumination. Consult factory for more tailored lumen outputs.

**LUMEN MAINTENANCE:** 90% of initial light output (L90) at 100,000+ hours; 70% of initial light output (L70) at 200,000+ hours.

### ELECTRICAL FEATURES

**STATIC WHITE FEED:** 18-gauge/5-conductor single-circuit feed, standard. 14-gauge feed used when luminaire current exceeds 5 amps.

**TUNABLE WHITE FEED:** Standard with one 18-gauge/5-conductor single-circuit feed. 14-gauge feed used when fixture current exceeds 5 amps. DMX and power feed at same location (standard). DMX feeds cannot be cut or spliced. DMX feeds should be ordered based on fixed lengths.

**STATIC WHITE DRIVER:** Replaceable 120V, 277V, and 347V Constant Current Reduction dimming driver standard. Can be wired dimming or non-dimming. 0-10V dimming controls with a range of 10% - 100% Dimming to 1% available; Consult factory. Separate dimming for upright and downlight available. Driver is fully accessible from below the ceiling.

- **Power Factor:**  $\geq 0.9$
- **Total Harmonic Distortion (THD):**  $<20\%$
- **Expected driver lifetime:** 100,000 hours

### LUTRON STATIC DRIVER OPTIONS:

- **LUT-ES (LDE1)** - (Hi-lume 1% EcoSystem with Soft-On, Fade-to-Black dimming (LDE1 series))
- **LUT-W2 (LTES2W)** - (Hi-lume 1% 2-wire, 120V forward phase dimming (LTEA series)).

**TUNABLE WHITE DRIVER:** Replaceable LED driver. Driver is accessible from below the ceiling. 120V/277V.

- **Power factor**  $\geq 0.9$
- **Total Harmonic Distortion (THD):**  $<20\%$
- **Dimming Range:** 100 - 1%
- **Expected driver lifetime:** 100,000 hours

**LUTRON TUNABLE WHITE DRIVER OPTION: LUTDTW 1%**  
T-Series 2-Channel Digital Tunable White (PSQ Series).

### MOUNTING TYPE

#### HANGING HARDWARE:

- **Pendant:** 50" Fully Adjustable (FA) plated steel aircraft cable with safety stop hardware standard. Contact factory for additional lengths up to 150". The Flexible Mounting Bracket (FM) <sup>2</sup> adjusts the suspension points to accommodate existing architecture. Suspension points adjust up to 2' in from the end of 8' to 12' fixture lengths and up to 1' in on shorter lengths.
- **Surface Mount:** Ceiling types: Drywall or concrete surfaces (walls or ceilings): 1/4"-20 stud and nut (provided by others).

### OTHER FEATURES

**ENDCAPS:** Flat diecast aluminum endcaps add 1/4" to each end of luminaire.

**EMERGENCY STYLE:** Optional emergency to generator/inverter wiring, internal generator transfer switch, nightlight wiring, step-dimming driver, backup battery.

Backup Battery		
	Factory Choice	Bodine BSL310LP
<b>HPX-P-D</b>		
Min. Housing Length	8'*	4'
EM Lumen Output	2024	1202
EM Section Illuminated	2'	2' or 4'
<b>HPX-SM-D</b>		
Min. Housing Length	8'*	4'*
EM Lumen Output	2024	1202
EM Section Illuminated	2'	2' or 4'
<b>HPX-P-ID</b>		
Min. Housing Length	12'	8'
EM Lumen Output	2024	1202
EM Section Illuminated	2'	2' or 4'

\* Minimum fixture housing length for battery pack approved without sensor

<sup>1</sup> Indirect/Direct (ID) only  
<sup>2</sup> Direct only

Submitted by:		Date:
Type:	Project:	
Ordering Info:		

# HPX Product Family

## SPECIFICATIONS

### TUNABLE WHITE ELECTRICAL OPTIONS:

- **TW Driver Options 0-10V:** EM/GEN, GTD, or Battery Back-up
- **FineTune DMX:** EM/GEN or Battery Back-up
- **DMX:** Battery Back-up
- **DALI:** EM/GEN, GTD, or Battery Back-up
- **LUTRON:** EM/GEN, GTD, or Battery Back-up

**INTEGRATED SENSORS:** Integrated PIR (Passive Infrared) Occupancy (**OBO**) or Daylight Sensors (**OBD**) available with Flush and Bottom Glow downlight diffusers. PIR sensors not recommended for stairwell applications. Refer to Occupancy Sensor & Daylight Sensor tech sheet and the Embedded Intelligence landing page for more information and additional sensor options.

**FINISHES:** Finelite Signal White (**SW**) powder coat standard. Finelite Black (RAL 9005) with semi gloss fine texture (**FB**)<sup>3</sup> and satin Aluminum (**SA**)<sup>3</sup> are available. Optional Adders: 185 RAL colors.<sup>3</sup>

**LABELS:** Luminaire and electrical components are ETL-listed conforming to UL 1598 in the U.S.A. and CAN/CSA C22.2 No. 250.0 in Canada. In accordance with NEC Code 410.130 (G), this luminaire contains an internal driver disconnect. UL 924 and UL 2108 - PoE options available on request, contact factory for more details. These fixtures are rated for Damp Location. Finelite products use electronic components that are RoHS compliant, and the mechanical components of the luminaire have been verified to not knowingly contain any restricted substances listed per RoHS Directive 2015/863. HPX can be used to comply with 2016 Title 24, Part 6 (JA8); high efficacy LED light source requirements. Finelite makes the specification process easy when putting healthier products on your projects. Simply add - **RLA** (Red List Approved) or - **RLD** (Declared Label) to your part number.

**WEIGHT:** 2.3 lb/ft.

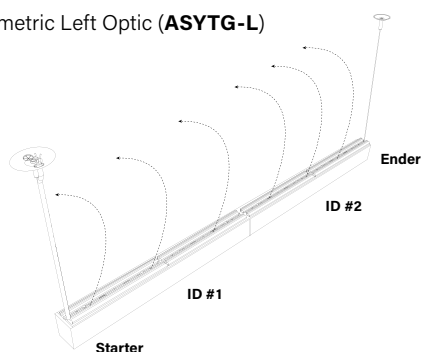
**WARRANTY:** 10-year performance-based warranty on all standard components. Optional accessories such as emergency battery packs are covered by their individual manufacturer warranties.

<sup>3</sup> 20 Business day lead time for color

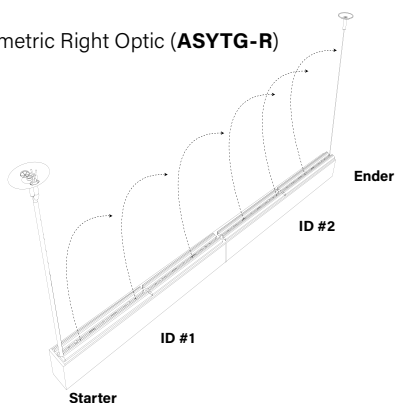
## ASYMMETRIC OPTIC OPTIONS

Use this tool to understand how to specify Asymmetric for your project. The diagrams below show a linear run from power feed to ender. Specify, ASYTG-L distributes light to the left or ASYTG-R distributes light to the right.

Asymmetric Left Optic (**ASYTG-L**)



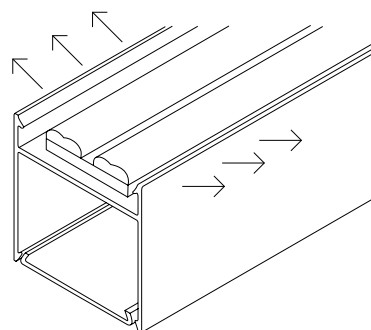
Asymmetric Right Optic (**ASYTG-R**)



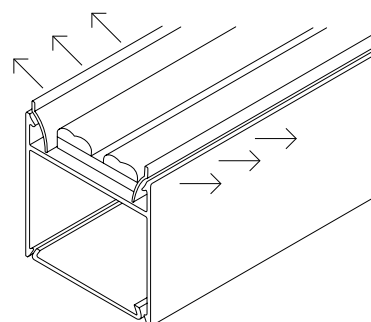
## WIDESPREAD OPTIC OPTIONS

Wide Spread Optic (**WSO**) delivers a batwing distribution for improved performance.

Widespread Optic (**WSO**)



Widespread Optic Top Glow (**WSOTG**)



Submitted by:		Date:
Type:	Project:	
Ordering Info:		

# HPX Product Family

## Indirect/Direct with Top Glow Photometry 4' Luminaire 3500K

### HPX-P-ID-V-V-835-TG-F

**Uplight:** Top Glow / **Downlight:** Flush

**Distribution:** 50% Up (V) / 50% Down (V)

**Efficacy:** 119 lm/W

**Uplight:** 4073 lumens (1018 lumens/ft)

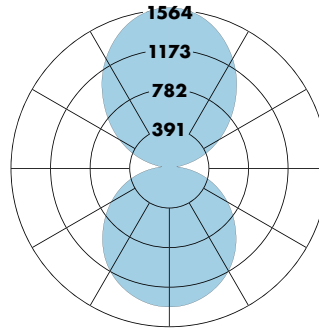
**Downlight:** 4111 lumens (1028 lumens/ft)

**Total luminaire output:** 8184 lumens  
68.9 watts

**Peak Candela Value:** 1564 @ 180°

CRI: 80 / CCT: 3500K

ITL LM79 Report 92550



CANDLEPOWER SUMMARY

	0.0	22.5	45.0	67.5	90.0	Flux
0	1378	1378	1378	1378	1378	
5	1371	1372	1372	1372	1372	130
15	1327	1318	1326	1327	1323	374
25	1234	1221	1232	1233	1230	566
35	1097	1087	1096	1095	1092	684
45	923	919	927	931	929	714
55	727	722	734	740	743	655
65	509	510	526	536	541	518
75	287	297	316	332	337	333
85	86	102	125	145	152	137
90	2	23	51	74	82	
95	69	85	108	130	137	119
105	237	249	270	291	298	286
115	441	445	468	483	489	462
125	672	667	684	695	702	612
135	912	903	916	922	926	706
145	1147	1129	1142	1141	1141	712
155	1347	1328	1337	1332	1329	614
165	1485	1474	1478	1476	1470	416
175	1554	1554	1554	1554	1554	147
180	1564	1564	1564	1564	1564	

### Sample Lumen Adjustment Calculation

#### Lumen Adjustment Factors 80 CRI

<b>3000K</b>	0.985
<b>3500K</b>	1.000
<b>4000K</b>	1.032

#### Lumen Adjustment Factors 90 CRI

<b>3000K</b>	0.746
<b>3500K</b>	0.760
<b>4000K</b>	0.789

High Output (H) / Standard Output (S), 4000K, 90 CRI

**Lumen Adjustment Factor:** 0.789

**Total Light Output:** 4865 lm x 0.789 = 3839 lm

**Total Light Output per Foot:** 1216 lm x 0.789 = 959 lm

**watts/foot:** 10.0 W/ft.

$$\text{Efficacy} = \frac{959 \frac{\text{lm}}{\text{ft.}}}{10.0 \frac{\text{W}}{\text{ft.}}} = 96 \text{ lm/W}$$

Total Light Output, 3500K, 80 CRI (Lumens)- 4' Luminaire

	↑S <sup>1</sup>	↑B <sup>1</sup>	↑H <sup>1</sup>	↑V <sup>2</sup>
↓S <sup>1</sup>	3350 [150%   50%↓]	3783 [156%   44%↓]	4865 [166%   34%↓]	5778 [171%   29%↓]
↓B <sup>1</sup>	3779 [145%   55%↓]	4212 [150%   50%↓]	5293 [160%   40%↓]	6207 [166%   34%↓]
↓H <sup>1</sup>	4851 [135%   65%↓]	5283 [140%   60%↓]	6365 [150%   50%↓]	7279 [156%   44%↓]
↓V <sup>1</sup>	5756 [129%   71%↓]	6189 [134%   66%↓]	7270 [144%   56%↓]	8184 [150%   50%↓]

Light Output, 3500K, 80 CRI (Lumens Per Foot)

	↑S <sup>1</sup>	↑B <sup>1</sup>	↑H <sup>1</sup>	↑V <sup>2</sup>
↓S <sup>1</sup>	838	946	1216	1445
↓B <sup>1</sup>	945	1053	1323	1552
↓H <sup>1</sup>	1213	1321	1591	1820
↓V <sup>1</sup>	1439	1547	1818	2046

Power, 3500K, 80 CRI (Watts Per Foot)

	↑S <sup>1</sup>	↑B <sup>1</sup>	↑H <sup>1</sup>	↑V <sup>2</sup>
↓S <sup>1</sup>	6.7	7.7	10.0	12.0
↓B <sup>1</sup>	7.7	8.6	10.9	12.9
↓H <sup>1</sup>	10.0	10.9	13.2	15.2
↓V <sup>1</sup>	12.0	12.9	15.2	17.2

Efficacy, 3500K, 80 CRI (Lumens Per Watt)

	↑S <sup>1</sup>	↑B <sup>1</sup>	↑H <sup>1</sup>	↑V <sup>2</sup>
↓S <sup>1</sup>	124	124	122	121
↓B <sup>1</sup>	123	123	122	120
↓H <sup>1</sup>	122	121	120	120
↓V <sup>1</sup>	120	120	119	119

S - Standard Output, B - Boosted Standard Output, H - High Output, V - Very High Output

<sup>1</sup> Based on 4' luminaire 3500K Very High Output (V) test - 120V.

<sup>2</sup> Based on ITL report: 92550

Submitted by:		Date:
Type:	Project:	
Ordering Info:		

# HPX Product Family

Indirect/Direct with  
Widespread Optic Photometry  
4' Luminaire 3500K

## HPX-P-ID-V-V-835-WSO-F

**Uplight:** Widespread Optic / **Downlight:** Flush

**Distribution:** 51% Up (V) / 49% Down (V)

**Efficacy:** 119 lm/W

**Uplight:** 4223 lumens (1056 lumens/ft)

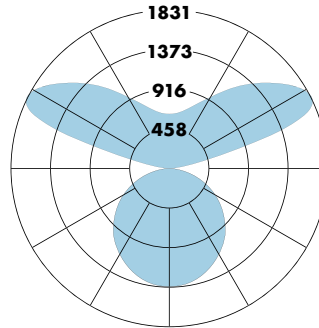
**Downlight:** 4005 lumens (1001 lumens/ft)

**Total luminaire output:** 8228 lumens  
69.0 watts

**Peak Candela Value:** 1375 @ 0°

CRI: 80 / CCT: 3500K

ITL LM79 Report 92549



CANDLEPOWER SUMMARY

	0.0	22.5	45.0	67.5	90.0	Flux
0	1375	1375	1375	1375	1375	
5	1367	1368	1368	1368	1369	130
15	1322	1316	1322	1323	1320	373
25	1230	1218	1227	1228	1225	565
35	1094	1084	1092	1091	1087	681
45	922	915	922	918	915	708
55	723	718	723	719	716	643
65	507	504	507	505	505	500
75	286	286	290	291	291	306
85	85	86	90	92	91	99
90	0	0	0	0	0	
95	37	83	214	99	78	141
105	145	218	811	923	651	625
115	259	334	763	1652	1820	926
125	364	438	777	1423	1681	820
135	436	502	775	1197	1390	656
145	503	552	735	981	1097	483
155	561	589	689	801	851	324
165	605	616	653	690	703	186
175	627	629	633	636	638	61
180	630	630	630	630	630	x

### Sample Lumen Adjustment Calculation

#### Lumen Adjustment Factors 80 CRI

<b>3000K</b>	0.985
<b>3500K</b>	1.000
<b>4000K</b>	1.032

#### Lumen Adjustment Factors 90 CRI

<b>3000K</b>	0.746
<b>3500K</b>	0.760
<b>4000K</b>	0.789

High Output (H) / Standard Output (S), 4000K, 90 CRI

**Lumen Adjustment Factor:** 0.789

**Total Light Output:** 4924 lm x 0.789 = 3885 lm

**Total Light Output per Foot:** 1231 lm x 0.789 = 971 lm

**watts/foot:** 10.0 W/ft.

$$\text{Efficacy} = \frac{971 \frac{\text{lm}}{\text{ft.}}}{10.0 \frac{\text{W}}{\text{ft.}}} = 97 \text{ lm/W}$$

Total Light Output, 3500K, 80 CRI (Lumens)- 4' Luminaire

	↑S <sup>1</sup>	↑B <sup>1</sup>	↑H <sup>1</sup>	↑V <sup>2</sup>
↓S <sup>1</sup>	3368 [151%   49%↓]	3813 [157%   43%↓]	4924 [167%   33%↓]	5862 [172%   28%↓]
↓B <sup>1</sup>	3790 [146%   54%↓]	4234 [151%   49%↓]	5346 [161%   39%↓]	6284 [167%   33%↓]
↓H <sup>1</sup>	4844 [136%   64%↓]	5288 [141%   59%↓]	6400 [151%   49%↓]	7338 [158%   42%↓]
↓V <sup>1</sup>	5734 [130%   70%↓]	6179 [135%   65%↓]	7290 [145%   55%↓]	8228 [151%   49%↓]

Light Output, 3500K, 80 CRI (Lumens Per Foot)

	↑S <sup>1</sup>	↑B <sup>1</sup>	↑H <sup>1</sup>	↑V <sup>2</sup>
↓S <sup>1</sup>	842	953	1231	1466
↓B <sup>1</sup>	947	1059	1336	1571
↓H <sup>1</sup>	1211	1322	1600	1835
↓V <sup>1</sup>	1433	1545	1822	2057

Power, 3500K, 80 CRI (Watts Per Foot)

	↑S <sup>1</sup>	↑B <sup>1</sup>	↑H <sup>1</sup>	↑V <sup>2</sup>
↓S <sup>1</sup>	6.8	7.7	10.0	12.0
↓B <sup>1</sup>	7.7	8.6	10.9	12.9
↓H <sup>1</sup>	10.0	10.9	13.2	15.2
↓V <sup>1</sup>	12.0	12.9	15.2	17.3

Efficacy, 3500K, 80 CRI (Lumens Per Watt)

	↑S <sup>1</sup>	↑B <sup>1</sup>	↑H <sup>1</sup>	↑V <sup>2</sup>
↓S <sup>1</sup>	125	124	123	122
↓B <sup>1</sup>	124	123	123	122
↓H <sup>1</sup>	121	121	121	120
↓V <sup>1</sup>	119	120	120	119

S - Standard Output, B - Boosted Standard Output, H - High Output, V - Very High Output

<sup>1</sup> Based on 4' luminaire 3500K Very High Output (V) test - 120V.

<sup>2</sup> Based on ITL report: 92549

Submitted by:		Date:
Type:	Project:	
Ordering Info:		

# HPX Product Family

## Direct & Surface Mount Photometry 4' Luminaire 3500k

### HPX-P-D-V-835-F

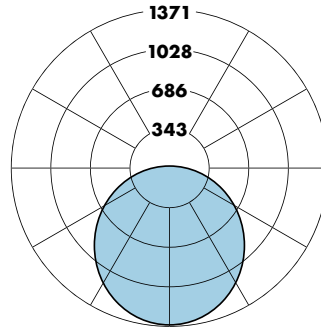
**Efficacy:** 120 lm/W

**Total luminaire output:** 4011 lumens (1003 lumens/ft)  
33.5 watts (8.4 watts/ft)

**Peak Candela Value:** 1371 @ 0°

CRI: 80 / CCT: 3500K

ITL LM79 Report 92552



CANDLEPOWER SUMMARY

	0.0	22.5	45.0	67.5	90.0	Flux
0	1371	1371	1371	1371	1371	
5	1365	1364	1364	1364	1364	130
15	1321	1312	1318	1320	1317	372
25	1228	1215	1225	1225	1223	564
35	1092	1081	1092	1090	1087	681
45	920	915	921	919	915	709
55	723	721	723	722	719	645
65	507	507	509	509	507	503
75	290	288	292	293	294	308
85	88	89	91	94	94	101
90	0	0	0	0	0	

### Sample Lumen Adjustment Calculation

#### Lumen Adjustment Factors 80 CRI

<b>3000K</b>	0.985
<b>3500K</b>	1.000
<b>4000K</b>	1.032

#### Lumen Adjustment Factors 90 CRI

<b>3000K</b>	0.746
<b>3500K</b>	0.760
<b>4000K</b>	0.789

High Output (H), 4000K, 90 CRI

**Lumen Adjustment Factor:** 0.789

**Total Light Output:** 3120 lm x 0.789 = 2462 lm

**Total Light Output per Foot:** 780 lm x 0.789 = 615 lm

**watts/foot:** 6.4 W/ft.

$$\text{Efficacy} = \frac{615 \frac{\text{lm}}{\text{ft.}}}{6.4 \frac{\text{W}}{\text{ft.}}} = 96 \text{ lm/W}$$

#### Total Light Output, 3500K, 80 CRI (Lumens) - 4' Luminaire

S <sup>1</sup>	B <sup>1</sup>	H <sup>1</sup>	V <sup>2</sup>
1642	2064	3120	4011

#### Light Output, 3500K, 80 CRI (Lumens Per Foot)

S <sup>1</sup>	B <sup>1</sup>	H <sup>1</sup>	V <sup>2</sup>
410	516	780	1003

#### Power, 3500K, CRI (Watts Per Foot)

S <sup>1</sup>	B <sup>1</sup>	H <sup>1</sup>	V <sup>2</sup>
3.3	4.2	6.4	8.4

#### Efficacy, 3500K, 80 CRI (Lumens Per Watt)

S <sup>1</sup>	B <sup>1</sup>	H <sup>1</sup>	V <sup>2</sup>
125	124	121	120

S - Standard Output, B - Boosted Standard Output, H - High Output, V - Very High Output

<sup>1</sup> Based on 4' luminaire 3500K Very High Output (V) test - 120V.

<sup>2</sup> Based on ITL report: 92552



Submitted by:		Date:
Type:	Project:	
Ordering Info:		

# 0-10V Tunable White

Finelite's award-winning, contractor friendly Tunable White luminaires are available at low cost, with powerful and simple 0-10V tuning and intensity controls.

## TUNABLE WHITE FEATURES

- CCT range: 2700K - 6500K
- Dimming Range: 100% to 10%
- CRI Options: 80 CRI or 90 CRI

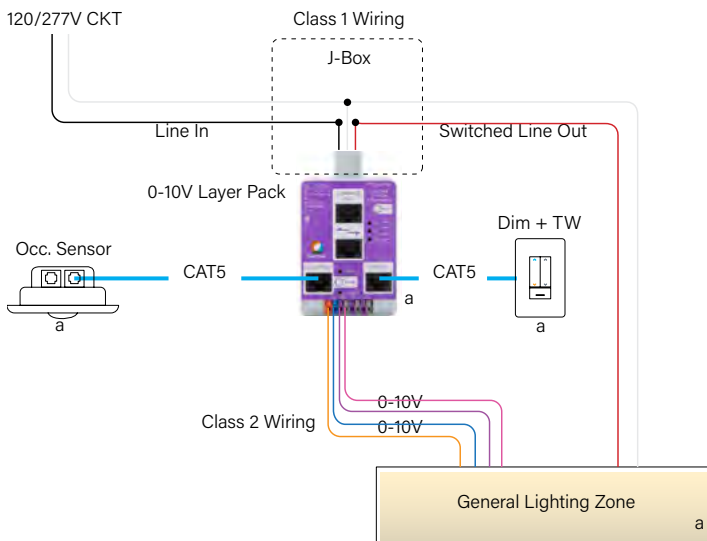
## PHOTOMETRY

Apply a power adjustment factor to calculate wattage usage

POWER	CONVERSION FACTOR
	<b>1.1X</b>

(Example: a 50 watt luminaire in static white would draw 55 watts using 0-10V Tunable White)

## WIRING DIAGRAM - DIMMABLE TO 10%



Luminaire Wiring

- **Purple (+) / Pink (-)** control wires are for intensity control
- **Orange (+) / Blue (-)** control wires are for Tunable White control

**Note:**

Load or Dim to Off options available.

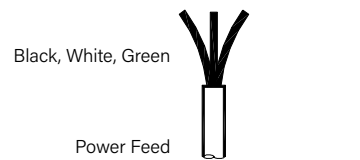


## LUMINAIRE FAMILY MODIFICATIONS/RESTRICTIONS

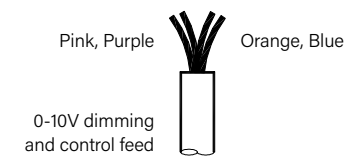
Direct	Section Lengths											
	2'	3'	4'	5'	6'	7'	8'	9'	10'	11'	12'	
Output S,B,H,V Single Circuit	Rows can be comprised of 2'-12' sections.											
Integral Battery Backup (BSL310LP)							✓		✓		✓	
Indirect/Direct												
Output S,B Single Circuit	✓	✓	✓	✓	✓	✓	✓	✓	✓	✓	✓	
Integral Battery Backup (BSL310LP)							✓		✓		✓	
Output H,V Single Circuit			✓				✓				✓	
Integral Battery Not Available	Remote Battery backup solution available. Contact Factory.											
Output S,B,H,V Dual Circuit			✓				✓				✓	
Integral Battery Not Available	Remote Battery backup solution available. Contact Factory.											

EN/GEN sections available for all body lengths

## DUAL FEED DETAIL



WIRING LEGEND		
<b>Black</b>	Hot	Line Voltage
<b>White</b>	Neutral	Line Voltage
<b>Green</b>	Ground	



WIRING LEGEND		
<b>Pink</b>	Dimming	0-10V DC
<b>Purple</b>	Dimming	0-10V DC
<b>Orange</b>	TW	0-10V DC
<b>Blue</b>	TW	0-10V DC