

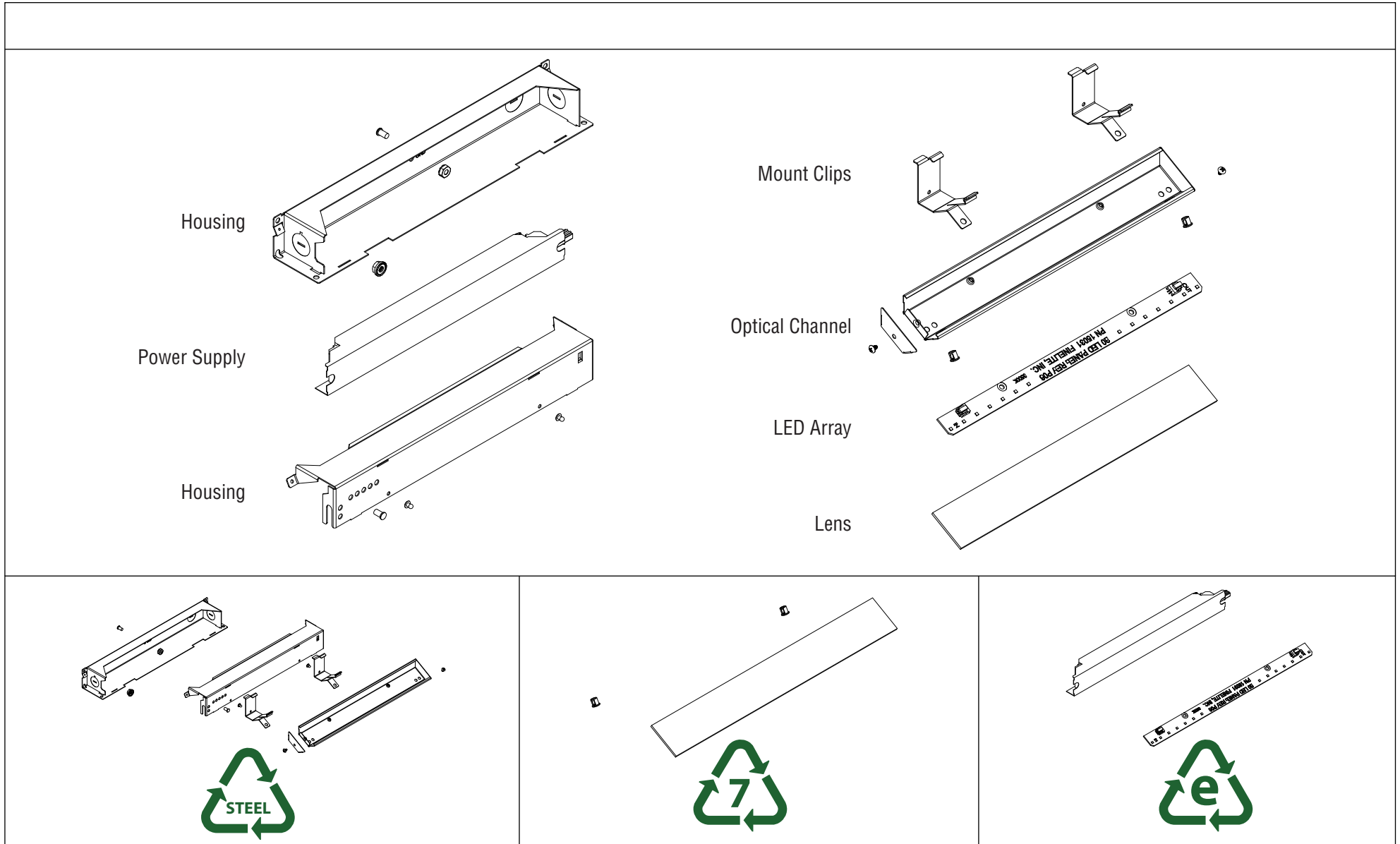
S11 LED Micro Flex Recycling

Disassembly Instructions

FINELITE®
Better Lighting

S11 LED Micro Flex breaks down easily for recycling at the end of usable life.

Patent Pending



* Recycling information typical for all luminaire sizes. Contact factory for more information.

Due to continuing improvements, Finelite reserves the right to change specifications without notice. Please visit www.finelite.com for most current data.

Finelite, Inc. • 30500 Whipple Road • Union City, CA 94587-1530 • 510 / 441-1100 • Fax: 510 / 441-1510 • www.finelite.com

A brand of  **legrand®**

© 2020 FINELITE, INC. ALL RIGHTS RESERVED. CPG0058 V2 EFFECTIVE DATE: 07/20

S11 LED Micro Flex Environmental Product Summary

S11 LED Micro Flex data shown

100% recyclable	100% recycled content
S11 LED Micro Flex components are constructed from steel, E-Waste, and acrylic plastic. S11 LED Micro Flex is 100% recyclable at the end of useful life.	S11 LED Micro Flex comprised of 100% recycled materials.

