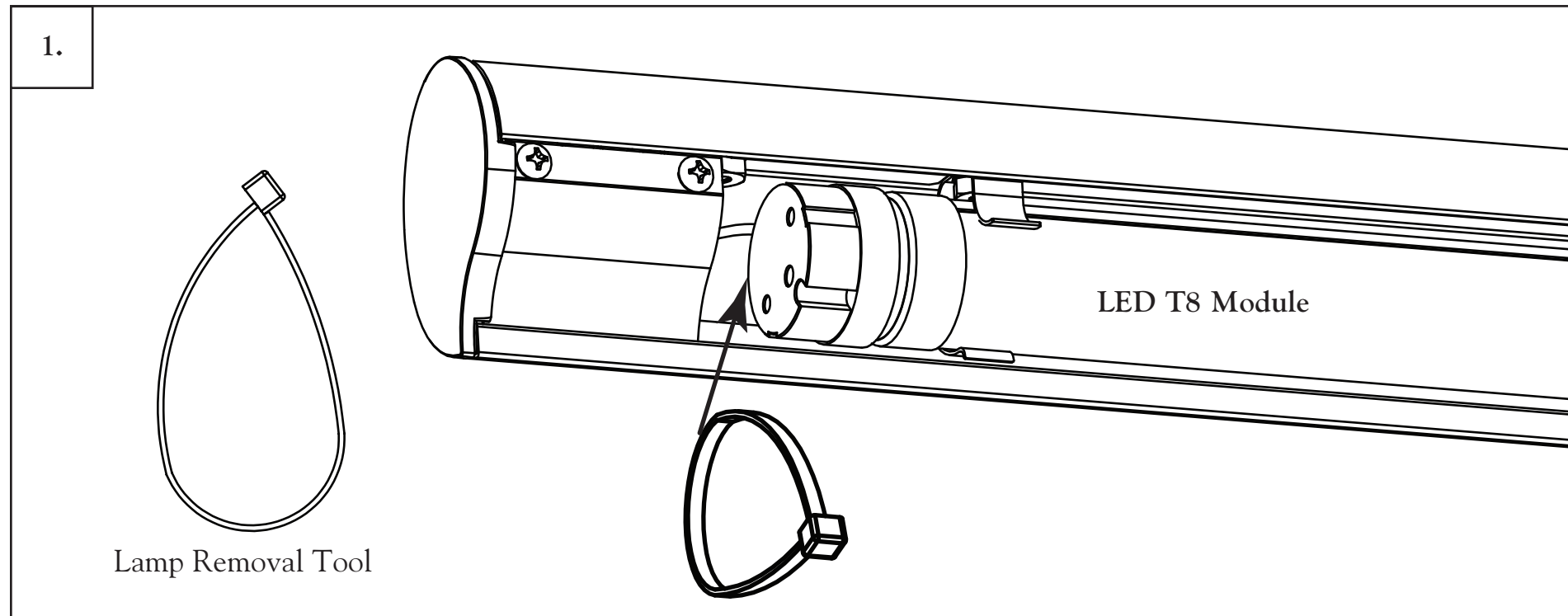


LED Module Removal/Replacement Instructions



INSTRUCTIONS

Ensure power is turned off before removing or replacing LED module

1. Locate Lamp removal tool provided.
2. Loop tool around the end of the Lamp Socket.
3. Pull LED T8 Module out using tool until it releases from spring clip. (Repeat Steps 1 - 3 for opposite end of LED T8 Module)
4. Pull Socket away from end of LED Module to disconnect. (Repeat Step for opposite end of LED Module)

Insert Appropriate Replacement LED Module by connecting Sockets and inserting LED Module back into spring clips and housing. Turn power on after installed to confirm proper operation.

