

FINELITE

Series 11 LED Micro Flex Cove



Date

Project

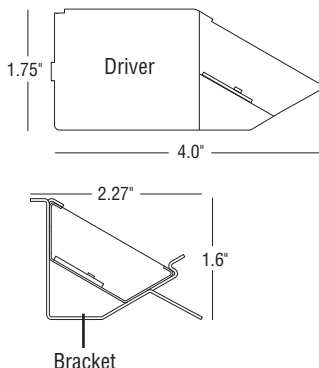
Type

Comments

DESCRIPTION

The Series 11 LED Micro Flex Cove is a high performance luminaire providing uniform illumination for both convex and concave architectural coves. It uses 1' segments joined by quick-connect low-voltage cables to accommodate most cove shapes.

This Product is enrolled in the International Living Future Institute (ILFI) Declare 2.0 Program and is third-party verified with options achieving Red List Approved and Declared status.

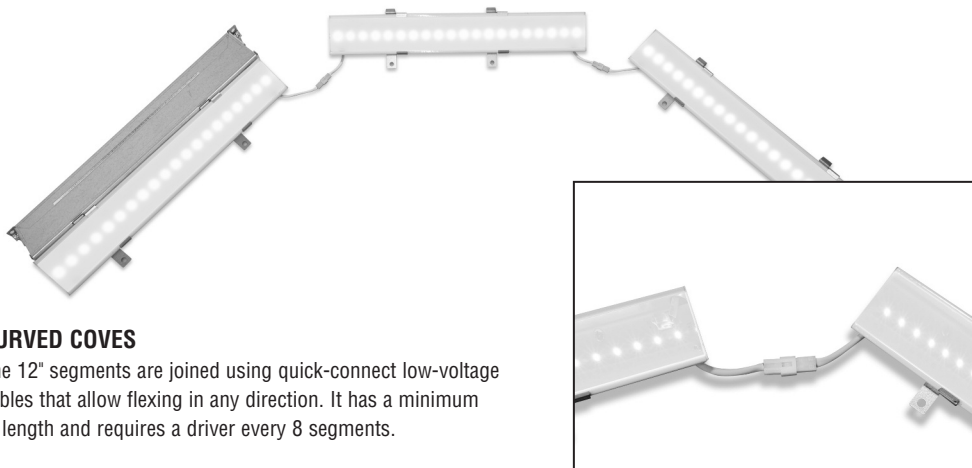


DIMENSIONS AND LIGHT ENGINE

The driver is located in the first section and can drive a maximum of 8 total segments. The LED light engines use mid-power LEDs with excellent distribution and long life.

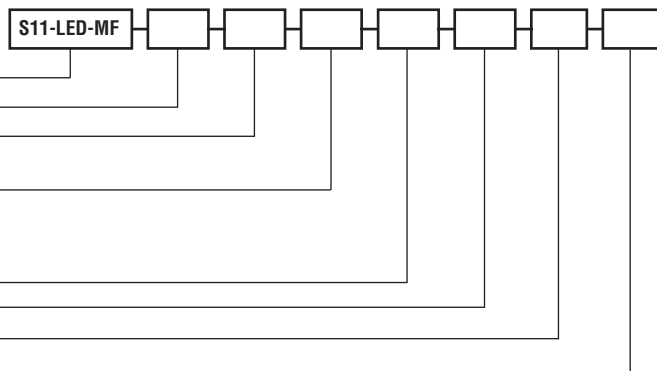
CURVED COVES

The 12" segments are joined using quick-connect low-voltage cables that allow flexing in any direction. It has a minimum 2' length and requires a driver every 8 segments.



ORDERING GUIDE

Sample Number: S11-LED-MF - 8' - S - 835 - SC - 96W - 120V - RLA



Finelite **Series 11-LED Micro Flex (MF)**

Run length (**2', 3', 4', 8'**, multiples standard)

Light Output (**S** - Standard Output, **B** - Boosted Standard Output, **H** - High Output, **V** - Very High Output)

LED CRI/CCT (**830** - 80 CRI min, 3000K **930** - 90 CRI min, 3000K

835 - 80 CRI min, 3500K **935** - 90 CRI min, 3500K

840 - 80 CRI min, 4000K **940** - 90 CRI min, 4000K)

Circuiting (**SC** - Single Circuit)*

Reflector system (**96W**)

Voltage (**120V, 277V**)

Special Options (**RLA** - Red List Approved, **RLD** - Declared Label)

* Contact factory for switching options.

FINELITE

Series 11 LED Micro Flex Cove

PHOTOMETRY

Very High Output - 4' Luminaire

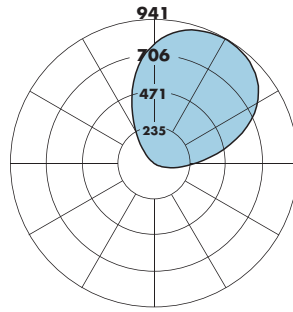
Efficacy: 118 lumens per watt

Total Luminaire Output: 2310 lumens (578 lumens/foot)
19.6 watts (4.9 watts/foot)

Peak Candela Value: 939 @ 155°

CCT: 3500K

ITL LM79 Report: 85171



CANDELA DISTRIBUTION						
	0	45.0	90.0	135.0	180.0	Flux
90	236	161	0	0	0	
95	316	226	25	0	0	113
105	506	374	103	0	0	192
115	691	533	208	15	0	273
125	823	672	334	75	28	337
135	900	774	468	174	91	368
145	935	840	592	303	200	359
155	939	875	694	463	362	308
165	914	875	763	625	562	211
175	852	836	769	754	738	75
180	800	800	800	800	800	

Total Light Output, 3500K, 80 CRI (Lumens) - 4' Luminaire			
S*	B*	H*	V**
946	1189	1797	2310

Lumen Adjustment Factors - 80 CRI	
3000K	0.985
3500K	1.000
4000K	1.032

Light Output, 3500K, 80 CRI (Lumens Per Foot)			
S*	B*	H*	V**
236	297	449	578

Lumen Adjustment Factors - 90 CRI	
3000K	0.746
3500K	0.760
4000K	0.789

Power (Watts Per Foot)			
S*	B*	H*	V**
2.0	2.5	3.8	4.9

Apply a lumen adjustment factor to calculate lumens for the desired CCT and CRI.

Efficacy, 3500K, 80 CRI (Lumens Per Watt)			
S*	B*	H*	V**
117	118	118	118

SAMPLE LUMEN ADJUSTMENT CALCULATION

High Output (H) 4000K, 90 CRI

Lumen Adjustment Factor = 0.789

$$\text{Total Light Output} = 1797 \text{ lm} \times 0.789 = 1418 \text{ lm}$$

$$\text{Total Light Output per Foot} = 449 \text{ lm/ft} \times 0.789 = 354 \text{ lm/ft}$$

$$\text{watts/foot} = 3.8 \text{ W/ft}$$

$$\text{Efficacy} = \frac{354 \frac{\text{lm}}{\text{ft}}}{3.8 \frac{\text{W}}{\text{ft}}} = 93 \text{ lm/W}$$

S - Standard Output, B - Boosted Standard Output, H - High Output, V - Very High Output

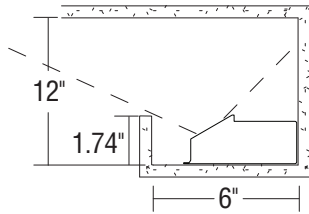
* Family Correlation based on 4' luminaire 3500K Very High Output (V) test - 120V.

** Correlation based on ITL report: 85171

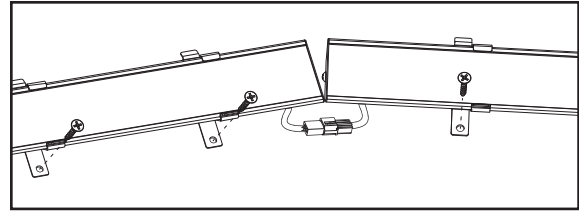
FINELITE

Series 11 LED Micro Flex Cove

MOUNTING



Designed to fit into an architectural cove with a suggested cross section of 12" x 6" or larger.



Mounting without removing reflector makes installation fast and easy. Mounts directly to architectural cove with two screws per 12" section.

SPECIFICATIONS

CONSTRUCTION: Body is formed from 20-gauge sheet steel. All components are hard-tooled to a tolerance of +/-0.010".

REFLECTORS: Die-formed 24-gauge cold-rolled steel reflectors finished in 96LG High Reflectance white powder coat paint (96W).

DIFFUSER: Frosted virgin acrylic, 0.08" thick, provides a smooth distribution of light.

LIGHT OUTPUT: Four lumen packages available, Standard Output (**S**), Boosted Standard Output (**B**), High Output (**H**), and Very High Output (**V**). A separate chart summarizes lumen distribution and wattage. Light engines are replaceable.

LUMEN MAINTENANCE: 90% of initial light output (L90) at 100,000+ hours; 70% of initial light output (L70) at 200,000+ hours.

DRIVER: Replaceable 120V/277V Constant Current Reduction dimming driver standard. Can be wired dimming or non-dimming. 0-10V dimming controls with a range of 10%-100%. Dimming to 1% available; consult factory. Driver is fully accessible from below the ceiling. Power Factor: ≥ 0.9 . Total Harmonic Distortion (THD): <20%. Expected driver lifetime: 100,000 hours.

ELECTRICAL: Optional emergency to generator/inverter wiring, internal generator transfer switch, nightlight wiring, step-dimming driver. Backup battery not available.

MOUNTING: Luminaire mounts directly to architectural cove.

FEED: A standard 14-gauge wire feed extends from the back of the driver unit.

LENGTHS: Standard 2', 3', 4', 5', 6', 7' and 8' section lengths can be combined to make longer runs. 12" segments are joined using quick-connect low-voltage

cables that allow flexing in any direction. It has a minimum 2' length and requires a driver for every 8 total segments.

LABELS: Luminaire and electrical components are ETL-listed conforming to UL 1598 in the U.S.A. and CAN/CSA C22.2 No. 250.0 in Canada. In accordance with NEC Code 410.73 (G), this luminaire contains an internal driver disconnect. Damp Location. Finelite products use electronic components that are RoHS compliant, and the mechanical components of the luminaire have been verified to not knowingly contain any restricted substances listed per RoHS Directive 2011/65/EU. Finelite makes the specification process easy when putting healthier products on your projects. Simply add – **RLA** (Red List Approved) or – **RLD** (Declared Label) to your part number.

WEIGHT: 1.02 lb/ft.

WARRANTY: 10-year performance-based warranty on all standard components. Optional accessories such as emergency battery packs are covered by their individual manufacturer warranties.