

FINELITE

Series 11 LED Standard

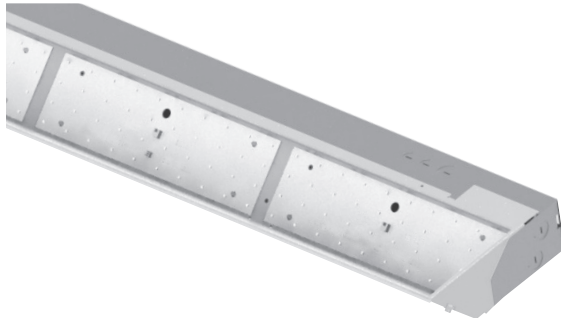


Date

Project

Type

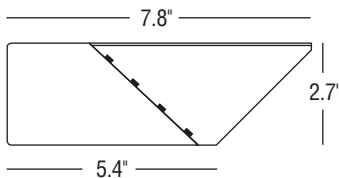
Comments



Standard luminaire includes frosted diffuser

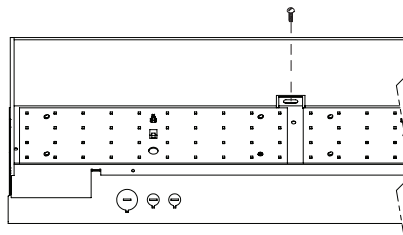
DESCRIPTION

Series 11 LED Standard is a high performance luminaire for cove ceilings where soft, even illumination is needed. Uses mid-power LEDs for even illumination and long life.



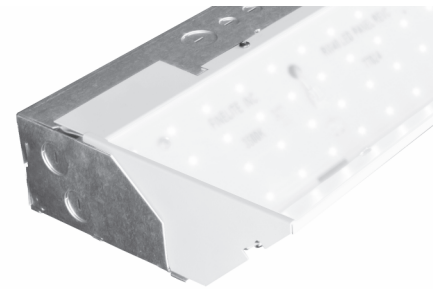
DIMENSIONS

Fits into architectural coves with a minimum depth of 7.8" and a minimum height of 2.7".



MOUNTING

Mounting without removing reflector makes installation fast and easy. Mounts directly to architectural cove with two screws per 4' section.



DIFFUSER

Series 11 LED is standard with a frosted acrylic diffuser providing a smooth distribution of light.

ORDERING GUIDE – Sample Number: S11-LED - 32' - S - 835 - SC - 96W - 120V

Finelite Series 11-LED Standard

Length (2', 3', 4', 8', multiples standard)

Light Output (S - Standard, B - Boosted Standard, H - High, V - Very High)

LED CRI/CCT (830 - 80 CRI min, 3000K; 835 - 80 CRI min, 3500K;

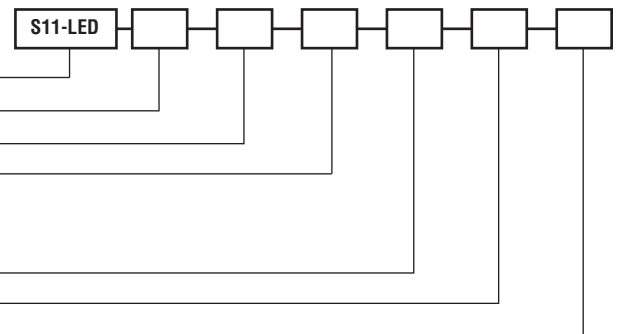
840 - 80 CRI min, 4000K; 930 - 90 CRI min, 3000K;

935 - 90 CRI min, 3500K; 940 - 90 CRI min, 4000K)

Circuiting (SC - Single Circuit)¹

Reflector System (96W)

Voltage (120V, 277V)



¹ Contact factory for switching options.

FINELITE

Series 11 LED Standard

PHOTOMETRY – 4' Luminaire

Very High Output

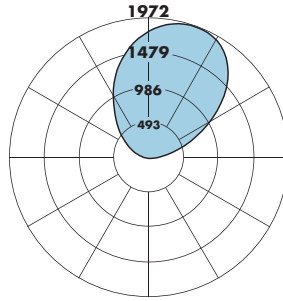
Efficacy: 124 lumens per watt

Total luminaire output: 4584 lumens (1146 lumens/foot)
37 (9.3 watts/foot)

Peak Candela Value: 1963 @ 165°

CCT: 3500K

ITL LM79 Report 85173



CANDELA DISTRIBUTION						
	0	45.0	90.0	135.0	180.0	Flux
90	0	0	0	0	0	
95	80	79	63	20	12	62
105	355	341	247	132	107	254
115	738	699	500	287	244	489
125	1174	1095	790	479	408	705
135	1573	1461	1101	717	612	841
145	1843	1724	1381	1010	855	851
155	1962	1865	1591	1295	1171	726
165	1963	1902	1727	1541	1460	484
175	1874	1851	1789	1728	1702	170
180	1798	1798	1798	1798	1798	

Total Light Output, 3500K, 80 CRI (Lumens) - 4' Luminaire			
S*	B*	H*	V**
1876	2359	3565	4584

Light Output, 3500K, 80 CRI (Lumens Per Foot)			
S*	B*	H*	V**
469	590	891	1146

Power, 3500K, 80 CRI (Watts Per Foot)			
S*	B*	H*	V**
3.6	4.6	7.1	9.3

Efficacy, 3500K, 80 CRI (Lumens Per Watt)			
S*	B*	H*	V**
130	128	126	124

S - Standard Output, B - Boosted Standard Output, H - High Output, V - Very High Output

* Family Correlation based on 4' luminaire 3500K Very High Output (V) test - 120V.

** Correlation based on ITL report: 85173

Lumen Adjustment Factors - 80 CRI	
3000K	0.985
3500K	1.000
4000K	1.032

Lumen Adjustment Factors - 90 CRI	
3000K	0.746
3500K	0.760
4000K	0.789

Apply a lumen adjustment factor to calculate lumens for the desired CCT and CRI.

SAMPLE LUMEN ADJUSTMENT CALCULATION

High Output (H) 4000K, 90 CRI

Lumen Adjustment Factor = 0.789

Total Light Output =
3565 lm x 0.789 = 2813 lm

Total Light Output per Foot =
891 lm/ft x 0.789 = 703 lm/ft

watts/foot = 7.1 W/ft

$$\text{Efficacy} = \frac{703 \frac{\text{lm}}{\text{ft}}}{7.1 \frac{\text{W}}{\text{ft}}} = 99 \text{ lm/W}$$



FINELITE

Series 11 LED Standard

SPECIFICATIONS

CONSTRUCTION: Body is formed from 20-gauge sheet steel. All components are hard-tooled to a tolerance of +/-0.010".

CORNER: Optional corner harness, 1/2" diameter flex conduit, 14" long. Contact factory.

REFLECTORS: Die-formed 20-gauge cold-rolled steel reflectors finished in 96LG High Reflectance white power coat paint.

DIFFUSER: Frosted virgin acrylic, 0.08" thick.

LIGHT OUTPUT: Four lumen packages available, Standard (**S**), Boosted Standard (**B**), High (**H**), and Very High (**V**). A separate chart summarizes lumen distribution and wattage. Light engines are replaceable.

LUMEN MAINTENANCE: 90% of initial light output (L90) at 100,000+ hours; 70% of initial light output (L70) at 200,000+ hours.

DRIVER: Replaceable 120V/277V Constant Current Reduction dimming driver standard. Can be wired dimming or non-dimming. 0-10V dimming controls with a range of 10%-100%. Dimming to 1% available; consult factory. Driver is fully accessible from below the ceiling. Power Factor: ≥ 0.90 . Total Harmonic Distortion (THD): $< 20\%$. Expected driver lifetime: 100,000 hours.

LUTRON DRIVER OPTIONS: Lut3W-3-wire, LutES-EcoSystem, Lut2W-2-wire.

ELECTRICAL: Optional emergency to generator/inverter wiring, internal generator transfer switch, nightlight wiring, step-dimming driver, backup battery. Factory-choice low-profile backup battery available. 8' minimum luminaire length for low profile battery pack. Backup batteries deliver 1800 lumens. A 4' section will be illuminated in emergency mode.

MOUNTING: Luminaire mounts directly to architectural cove.

FEED: A standard 14-gauge wire feed extends from the back of the luminaire.

LENGTHS: Standard 2', 3', 4', and 8' section lengths can be combined to make longer runs.

LABELS: Luminaire and electrical components are ETL-listed conforming to UL 1598 in the U.S.A. and CAN/CSA C22.2 No. 250.0 in Canada. In accordance with NEC Code 410.73 (G), this luminaire contains an internal driver disconnect. Damp Location. Finelite products use electronic components that are RoHS compliant, and the mechanical components of the luminaire have been verified to not knowingly contain any restricted substances listed per RoHS Directive 2002/95/EC.

WEIGHT: 2.5 lb/ft.

WARRANTY: 10-year performance-based warranty on all standard components. Optional accessories such as emergency battery packs are covered by their individual manufacturer warranties.