

# FINELITE

## High Performance Perimeter Slot (HP-WS)



**Declare.**

Third Party Verified

Date

Project

Type

Comments

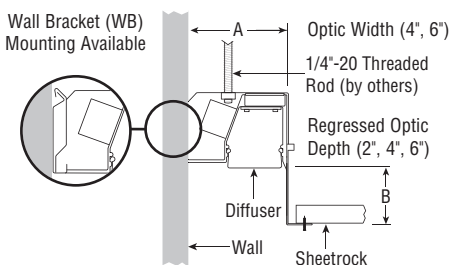


Scan QR Code to view video

### DESCRIPTION

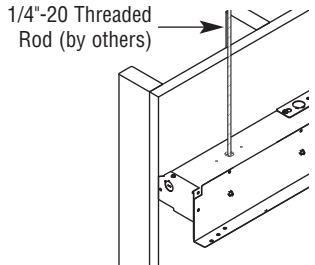
The High Performance Perimeter Slot (HP-WS) creates a wash of ambient and vertical illumination at the transition between the wall and the ceiling plane. Available in 2', 3', 4', & 8' sections with telescoping options that can be combined to make longer runs, and 2", 4", and 6" regressed optic options.

This Product is enrolled in the International Living Future Institute (ILFI) Declare 2.0 Program and is third-party verified with options achieving Red List Approved and Declared status.



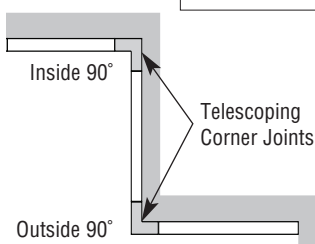
### DIMENSIONS & LIGHT ENGINE

Distribution is attained with mid-power LEDs distributed evenly and paired with a precise regressed diffuser.



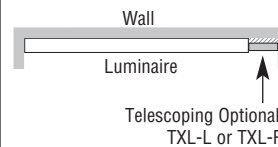
### POST-CEILING THREADED-ROD (TR) MOUNTING INSTALLATION

Allows a luminaire to be installed after ceiling framing is complete.



### FULLY ILLUMINATED 90° CORNERS

Fully illuminated 90° corners with telescoping standard. Refer to page 3 for telescoping lengths on inside and outside corners.



### STRAIGHT RUNS WITH OPTIONAL TELESCOPING

Optional telescoping section adds up to 12 inches for a straight run. Telescope section mounts securely to wall.

### ORDERING GUIDE – Sample Number: HP-WS - 4W - 4D - 8' - S - 830 - 120V - SC - TR - SW - FE-L - TXL-R - C1 - REE - RLA



#### Finelite HP-WS

Optic Width (4W - 4" Width, 6W - 6" Width)

Regressed Optic Depth (2D - 2" Depth, 4D - 4" Depth, 6D - 6" Depth)

Length (2', 3', 4', 8', multiples standard)

Light Output (S - Standard, B - Boosted Standard, H - High, V - Very High)

LED CRI/CCT (830 - 80 CRI min, 3000K 930 - 90 CRI min, 3000K

835 - 80 CRI min, 3500K 935 - 90 CRI min, 3500K

840 - 80 CRI min, 4000K 940 - 90 CRI min, 4000K)

Voltage (120V, 277V)

Circuiting (SC - Single Circuit)<sup>1</sup>

Mounting (TR - Threaded Rod<sup>2</sup> (standard), WB - Wall Bracket<sup>3</sup>)

Reflector (SW - Signal White)

End Condition Left (FE-L - Flat (standard), PE-L - Pocket Slot, TXL-L - Telescoping)<sup>4</sup>

End Condition Right (FE-R - Flat (standard), PE-R - Pocket Slot, TXL-R - Telescoping)<sup>4</sup>

Ceiling Type (C1 - 1" T-Bar, C2 - 9/16" T-Bar, C3 - screw slot, SF - Spackle Flange,

C1T - 1" tegular, C2T - 9/16" tegular)

Integrated Sensor (REE - Remote Enlighted)<sup>5</sup>

Special Options (RLA - Red List Approved, RLD - Declared Label)

<sup>1</sup> Contact factory for switching options.

<sup>2</sup> Pre- or post-ceiling.

<sup>3</sup> Pre-ceiling only.

<sup>4</sup> The end condition on each side can be specified with different hardware options to accommodate different installation features.

See page 3 for more information.

<sup>5</sup> Enlighted Control Unit & Sensor Cable installed for Remote mounting sensor.

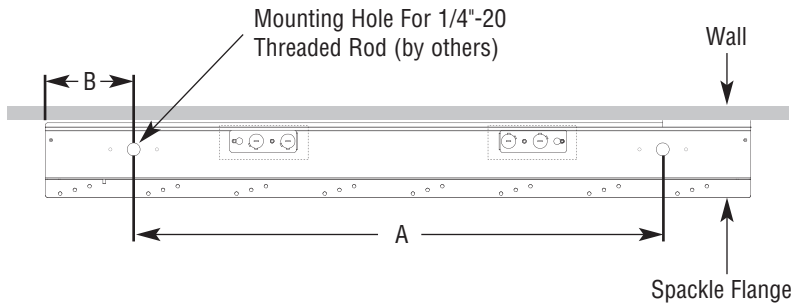
A brand of Legrand

Finelite, Inc. • 30500 Whipple Road • Union City, CA 94587-1530 • (510) 441-1100 • Fax: (510) 441-1510 • www.finelite.com

# FINELITE

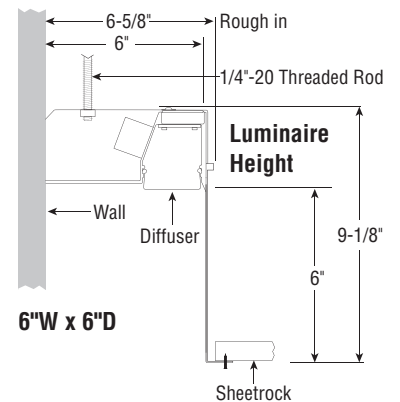
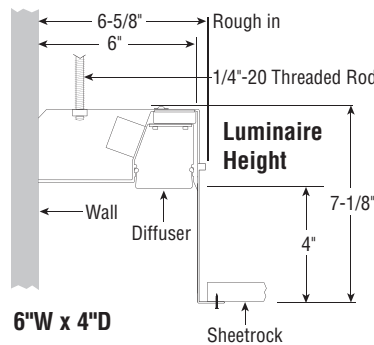
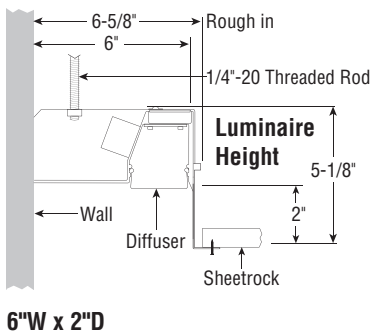
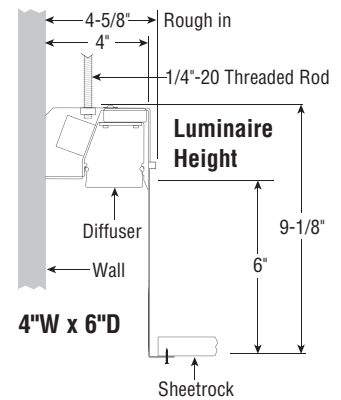
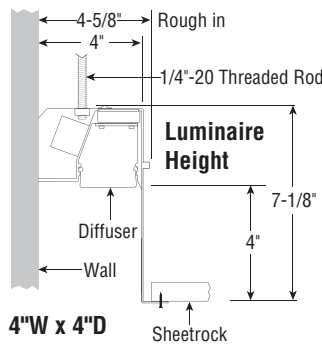
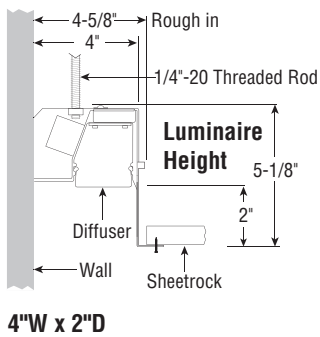
## High Performance Perimeter Slot (HP-WS)

### THREADED-ROD (TR) MOUNTING LOCATION

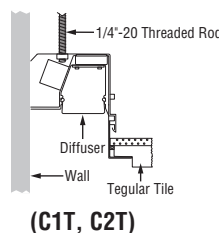
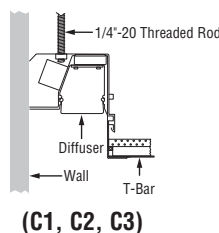
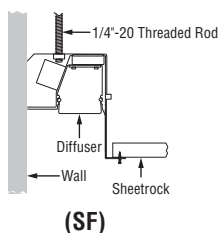


MOUNTING HOLE LOCATION TABLE		
LUMINAIRE LENGTH	A (in)	B (in)
2'	18	3
3'	30	3
4'	36	6
8'	84	6

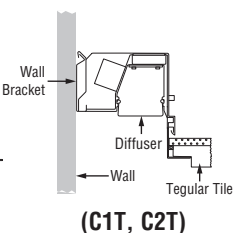
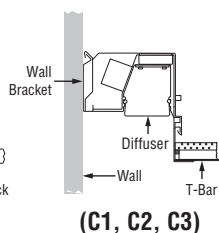
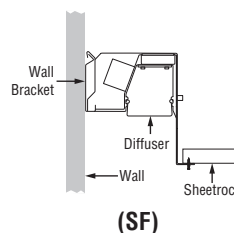
### THREADED-ROD (TR) MOUNTING CROSS SECTIONS



### CEILING TYPES — THREADED-ROD (TR) MOUNTING



### WALL BRACKET (WB) MOUNTING



A brand of **legrand**

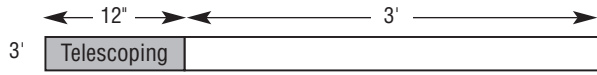
# FINELITE

## High Performance Perimeter Slot (HP-WS)

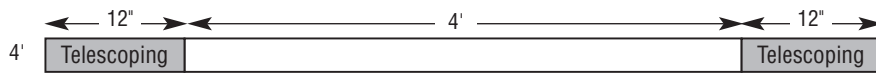
### RUN LENGTHS



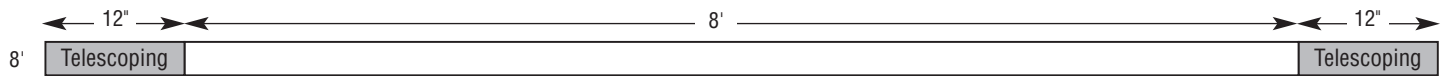
Telescoping Section (optional) adds a minimum of 2" and a maximum of 12". Only one end can be extended.



Telescoping Section (optional) adds a minimum of 1" and a maximum of 12". Only one end can be extended.



Telescoping Sections (optional) adds a minimum of 1" and a maximum of 12". Both ends can be extended.



Telescoping Sections (optional) adds a minimum of 1" and a maximum of 12". Both ends can be extended.  
Standard 2', 3', 4', and 8' section can be combined to make longer runs.

### Endcaps Information

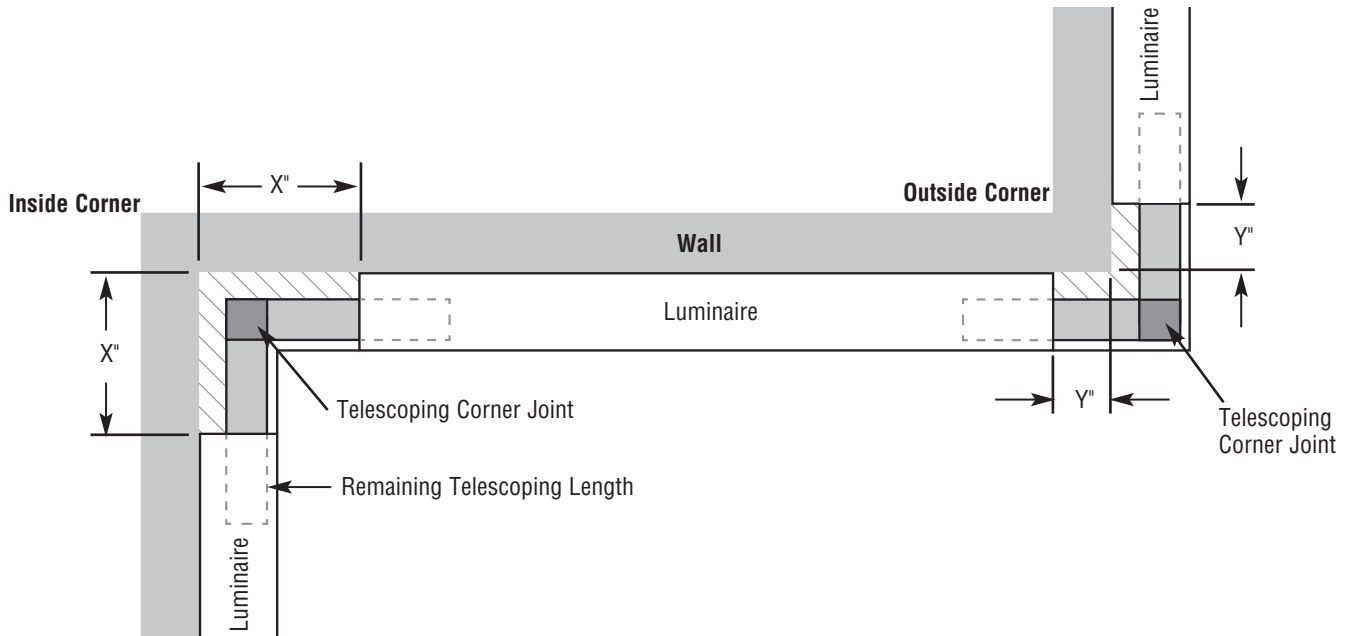
The **Flat Endcap** adds 1/8" per endcap to the section length.

The **Pocket Slot Endcap** adds 1-1/4" for Spackle Flange and 1" for T-Bar per endcap to the section length.

The **Telescoping Endcap** adds:

- A minimum of 2" to a 2' section
- A minimum of 1" to a 3' section
- A minimum of 1" to 4' and 8' sections

### 90° INSIDE AND OUTSIDE FULLY ILLUMINATED CORNER MEASURING DETAILS



Luminaire Width Configuration	Measurement From End of Luminaire to Wall			
	Inside Corner		Outside Corner	
	X" Min.	X" Max.	Y" Min.	Y" Max.
4W	8"	14"	1"	8"
6W	10"	16"	1"	7"

### Notes

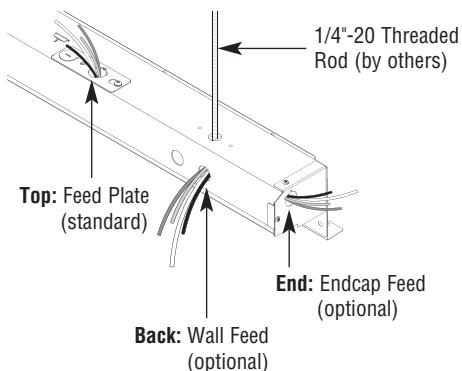
- Inside and outside corners ship standard with telescoping.
- Telescoping is optional for straight runs.

A brand of Legrand

# FINELITE

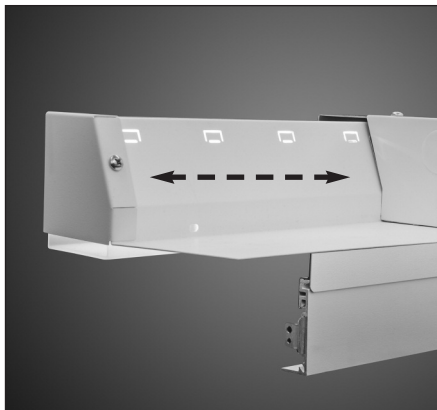
## High Performance Perimeter Slot (HP-WS)

### FEED OPTIONS

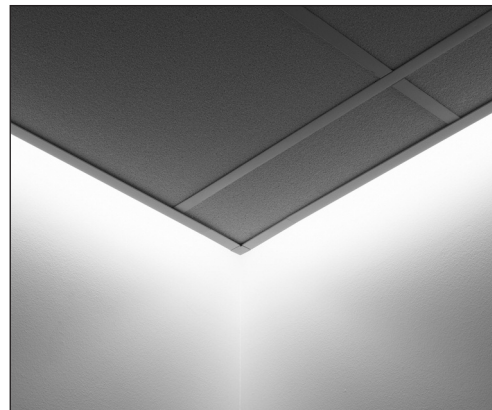


Refer to installation instructions for feed hole measurements.

### TELESCOPING (TXL-L or TXL-R)

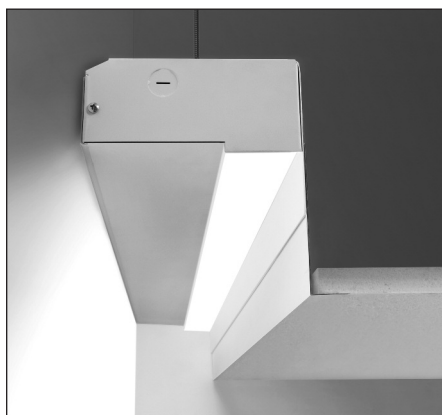


### TAPERED OPTIC STANDARD WITH 90° INSIDE CORNERS

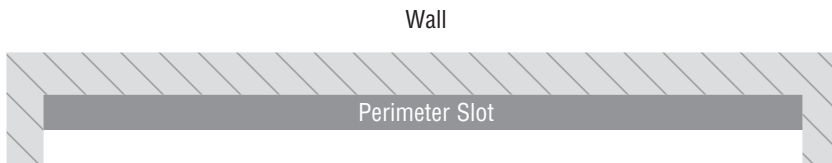


### ENDCAP OPTIONS

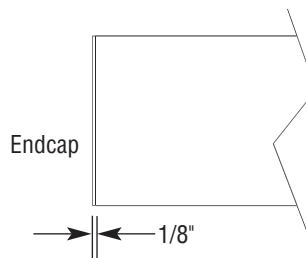
#### STANDARD FLAT (FE-L or FE-R)



Adds 1/8" per endcap to the section length. Spackle Flange version shown, T-Bar available.



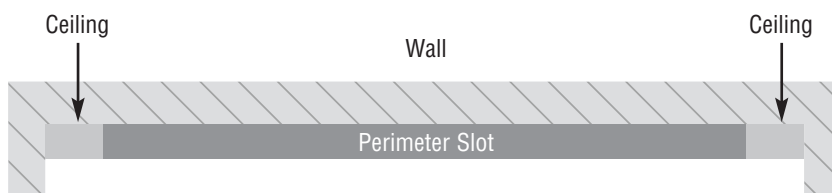
Flat end condition for when luminaire terminates at a vertical surface such as a wall.



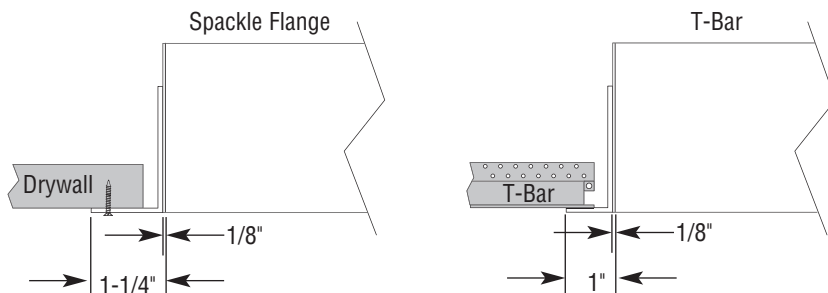
#### POCKET SLOT (PE-L or PE-R)



Adds 1-1/4" for Spackle Flange and 1" for T-Bar (includes endcap dimension 1/8") per endcap to the housing length on shop drawings. T-Bar version shown, Spackle Flange available.



Pocket slot end condition for when slot terminates before meeting additional vertical wall surface.



A brand of Legrand

# FINELITE

## High Performance Perimeter Slot (HP-WS)

### PHOTOMETRY – 4' Luminaire

4"W x 2"D

Very High Output - 120V

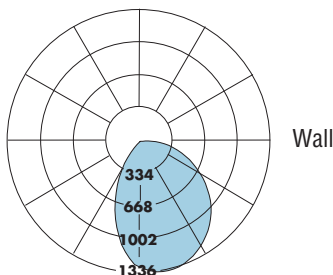
Efficacy: 84 lumens per watt

Total Luminaire Output: 3097 lumens (774 lumens/foot)

37 watts (9.3 watts/foot)

CCT: 3500K

ITL LM79 Report: 86712



CANDELA DISTRIBUTION

	0.0	45	90	135	180	Flux
0	1235	1235	1235	1235	1235	
5	1280	1264	1229	1198	1168	116
15	1333	1280	1172	1002	903	321
25	1323	1241	1060	746	586	460
35	1258	1150	909	489	297	519
45	1144	1020	735	248	60	502
55	967	859	555	49	2	436
65	741	654	375	3	0	344
75	514	437	204	2	0	233
85	295	232	52	1	0	121
90	188	132	0	0	0	

	Total Light Output, 3500K, 80 CRI (Lumens) - 4' Luminaire			
	S*	B*	H*	V**
4"W x 2"D	1268	1594	2409	3097

Lumen Adjustment Factors - 80 CRI	
3000K	0.985
3500K	1.000
4000K	1.032

	Light Output, 3500K, 80 CRI (Lumens Per Foot)			
	S*	B*	H*	V**
4"W x 2"D	317	398	602	774

Lumen Adjustment Factors - 90 CRI	
3000K	0.746
3500K	0.760
4000K	0.789

	Power, 3500K, 80 CRI (Watts Per Foot)			
	S*	B*	H*	V**
4"W x 2"D	3.6	4.6	7.1	9.3

Apply a lumen adjustment factor to calculate lumens for the desired CCT and CRI.

	Efficacy, 3500K, 80 CRI (Lumens Per Watt)			
	S*	B*	H*	V**
4"W x 2"D	88	87	85	84

### SAMPLE LUMEN ADJUSTMENT CALCULATION

High Output (H), 4000K, 90 CRI

Lumen Adjustment Factor = 0.789

$$\text{Total Light Output} = 2409 \text{ lm} \times 0.789 = 1901 \text{ lm}$$

$$\text{Total Light Output per Foot} = 602 \text{ lm/ft} \times 0.789 = 475 \text{ lm/ft}$$

$$\text{watts/foot} = 7.1 \text{ W/ft}$$

$$\text{Efficacy} = \frac{475 \frac{\text{lm}}{\text{ft}}}{7.1 \frac{\text{W}}{\text{ft}}} = 67 \text{ lm/W}$$

S - Standard Output, B - Boosted Standard Output, H - High Output, V - Very High Output

\* Family Correlation based on 4' luminaire 3500K Very High Output (V) test - 120V.

\*\* Based on ITL report: 86712

#### Notes

– Refer to LM-79 reports for other configurations.

# FINELITE

## High Performance Perimeter Slot (HP-WS)

### SPECIFICATIONS

**CONSTRUCTION:** Precision cut 6061-T6 extruded aluminum visible flange. Internal joiner system, plug-together wiring standard. Steel sheet metal galvanized and powder coated body.

**ENDCAPS:** The luminaire can terminate in three different end conditions to accommodate project needs. Endcaps are made of 20-gauge die-formed powder-coated steel. Flat (standard) Endcap adds 1/8", Pocket Slot Endcap adds 1-1/4", and for Telescoping Endcap refer to telescoping section below.

#### END CONDITIONS:

**FLAT** (standard) (FE-L or FE-R): Is used when the luminaire terminates at a wall. Adds 1/8" per endcap to overall length of the luminaire.

**POCKET SLOT** (PE-L or PE-R): Includes the necessary hardware to accommodate ceiling materials when the luminaire doesn't terminate at a wall. Adds 1-1/4" for Spackle Flange and 1" for T-Bar per endcap to overall length of the luminaire.

**TELESCOPING** (TXL-L or TXL-R): Provides up to 12" of additional illuminated section to accommodate variances in the built-in wall slot. Telescoping available on both ends of 4' and 8' luminaire sections. Adds a minimum of 1" per end to overall section length. Telescoping only available at one end of 2' and 3' luminaire sections. Adds a minimum of 2" to overall length of 2' sections and a minimum of 1" to overall length of 3' sections. Telescoping is standard with corners. Telescoping section must end at wall and be secured with bracket (provided).

**90° CORNER:** Illuminated 90° inside and outside corners. Standard with telescoping sections. Tapered optics is standard with inside corners.

**REFLECTORS:** Finelite Signal White powder coat finish standard.

**DIFFUSER:** Frosted diffusers are 1/16". All diffusers are UV-stabilized and impact resistant virgin acrylic.

**LIGHT OUTPUT:** Four lumen packages available; Standard (**S**), Boosted Standard (**B**), High (**H**), and Very High (**V**). A separate chart summarizes lumen distribution and wattage. Light engines are replaceable.

**LUMEN MAINTENANCE:** 90% of initial light output (L90) at 100,000+ hours; 70% of initial light output (L70) at 200,000+ hours.

**DRIVER:** Replaceable 120V/277V Constant Current Reduction dimming driver standard. Can be wired dimming or non-dimming. 0-10V dimming controls with a range of 10% - 100%. Dimming to 1% available; consult factory. Driver is fully accessible from below the ceiling. Power Factor:  $\geq 0.9$ . Total Harmonic Distortion (THD):  $< 20\%$ . Step-dimming driver (limited programmable outputs. Contact Factory). Expected driver lifetime: 100,000 hours.

**LUTRON DRIVER OPTIONS:** **LUTES1** (Hi-lume 1% EcoSystem with Soft-On, Fade to Black dimming (LDE1 series)); **LUTES5** (5-Series 5% EcoSystem (LDE5 Series)), **LUT2W** (Hi-lume 1% 2-wire, 120V forward phase dimming (LTEA series)); Contact factory for availability of discontinued Lutron drivers, L3DA-3-wire and L3DA EcoSystem.

**ELECTRICAL:** Optional emergency to generator/inverter wiring, internal generator transfer switch, nightlight wiring, backup battery. Factory-choice low-profile backup battery available. Chicago Plenum Option available (includes telescoping luminaires). 8' minimum luminaire length for low profile battery pack. Backup batteries deliver 1519 lumens. Half of a 4' section will be illuminated in emergency mode. Optional fusing is available.

**CIRCUITING:** 3' sections with telescoping and 4' sections can be specified with up to 2 circuits. 8' sections can be specified with up to 4 circuits. All others are available with a single circuit. Contact factory for more information.

**MOUNTING:** The standard mounting (Threaded Rod - TR) option eliminates the need to install luminaires prior to the slot being framed. Luminaire mounts on threaded rods. Gasket runs length of luminaire ensuring a clean finish at the wall. Optional mounting includes a wall bracket that is attached to the wall. Luminaires are then snapped onto the bracket. Luminaire installation that uses the mounting bracket must be performed before the perimeter slot framing is built.

**FINISH:** Finelite Signal White powder coat finish standard. Optional adder: 185 colors available using RAL color chart. Custom color applies to the visible T-Bar flange.

**FEED:** Standard with one 18-gauge/5-conductor single-circuit feed. 14-gauge feed used when luminaire current exceeds 5 amps. Optional 6' flex conduit whips available. Dual knockouts (for dual flex conduit) are available at the top and rear feed locations. Endcaps have a single knockout and support a single flex conduit only.

**LENGTHS:** Standard 2', 3', 4', and 8' section lengths can be combined to make longer runs. Optional telescoping sections on straight runs add a minimum of 1" up to 12" at the end of the luminaire. Contact factory for corner details and availability. Telescoping sections are available on either or both ends of the luminaire.

**LABELS:** Luminaire and electrical components are ETL-listed conforming to UL 1598 in the U.S.A. and CAN/CSA C22.2 No. 250.0 in Canada. In accordance with NEC Code 410.73 (G), this luminaire contains an internal driver disconnect. IC-Rated. Damp Location. Finelite products use electronic components that are RoHS compliant, and the mechanical components of the luminaire have been verified to not knowingly contain any restricted substances listed per RoHS Directive 2011/65/EU. Simply add - **RLF** (Red List Free) or - **RLD** (Declared) to your part number.

**WEIGHT:** 5.6 lb/ft.

**WARRANTY:** 10-year performance-based warranty on all standard components. Optional accessories such as emergency battery packs are covered by their individual manufacturer warranties.