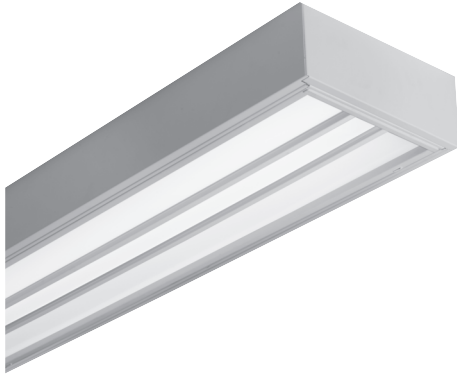




FINELITE

High Performance Recessed (HPR) 1x4 and 1x2 Surface Mount



Refer to page 2 for all door styles

DESCRIPTION

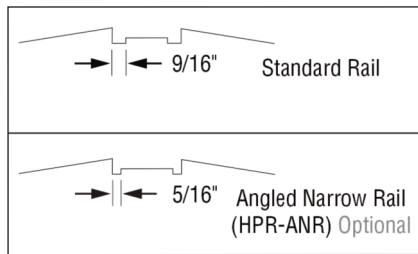
High Performance Surface Mount is a highly effective luminaire delivering excellent visual comfort and outstanding performance for office, school, healthcare, and retail applications. Advanced optical designs make HPR a powerful solution for low-ceiling applications and eliminate the shadows common to other products.

Date

Project

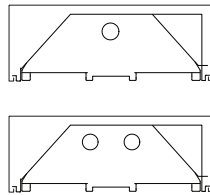
Type

Comments



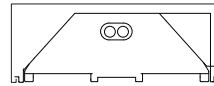
ANGLED NARROW RAIL OPTION

Available in Angled door style with the same center optic choices. The optional narrow rails are approximately 5/16" wide. The standard center rails are approximately 9/16" wide.



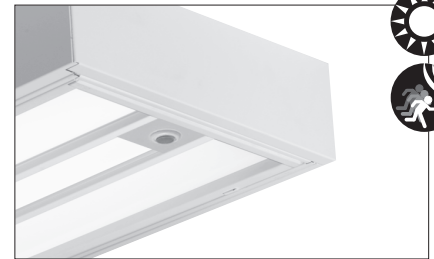
LIGHT ENGINE

Available in 1 or 2 T8, T5 or T5HO lamps.



BIAX LIGHT ENGINE

Available in 1 lamp FT 40, 50, or 55W high lumen TT5 cross sections for 1x2 only.

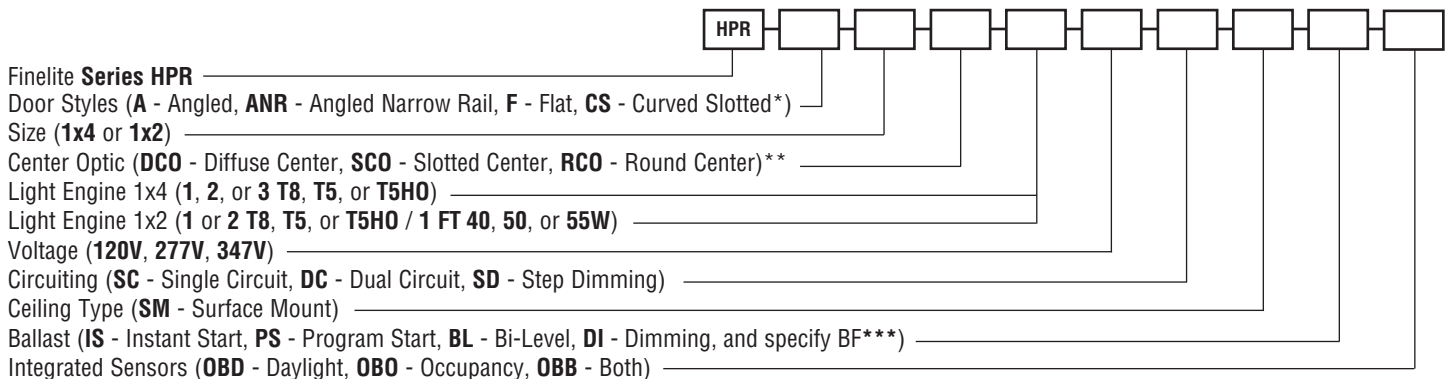


INTEGRATED SENSORS:

HPR can be specified with integrated daylight or occupancy sensors.

ORDERING GUIDE

Sample Number: HPR - F - 1x4 - DCO - 1T8 - 277 - SC - SM - IS.88 - OBO



* Not available with 1x2 & Center Optic options

** Only available on Angled (A), Angled Narrow Rail (ANR), and Flat (F)

*** Standard 0.88 for T8 lamps, 1.0 for T5 or T5HO. Contact factory for available ballast factors.

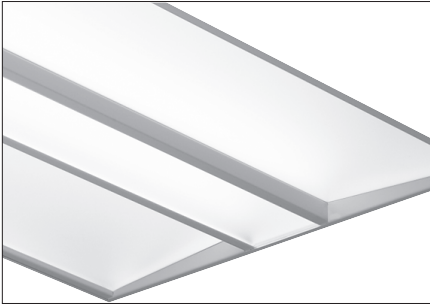
Contact factory for Master/Satellite.



FINELITE

High Performance Recessed (HPR) 1x4 and 1x2 Surface Mount

DOOR STYLES



NEW A - Angled
ANR - Angled Narrow Rail



F - Flat



CS - Curved Slotted

CENTER OPTICS



DCO - Diffuse Center



SCO - Slotted Center



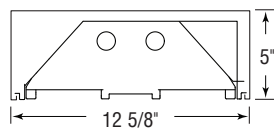
RCO - Round Center



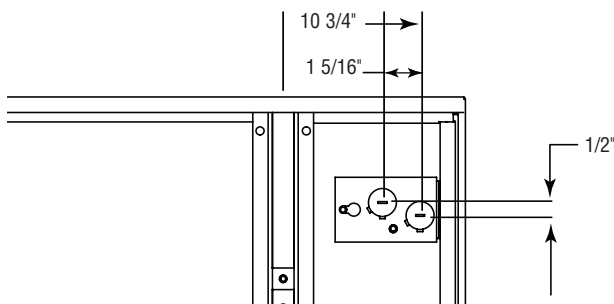
FINELITE

High Performance Recessed (HPR) 1x4 and 1x2 Surface Mount

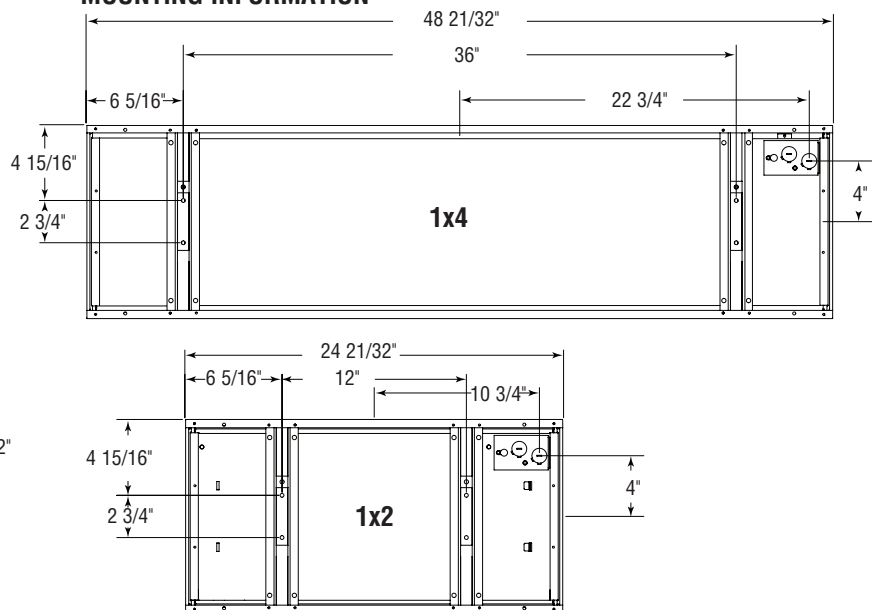
DIMENSIONS



WIRING ACCESS DETAIL



MOUNTING INFORMATION



SPECIFICATIONS

CONSTRUCTION: Die-formed 20-gauge cold-rolled steel housing. All components are hard-tooled to tolerances of +/- 0.010". UV stabilized weather-strip pile gasket with polypropylene backing. Hinged door frame assembly provides easy access to ballast compartment for re-lamping from below. Seismic brackets are integrated into the fixture assembly.

REFLECTORS: Die-formed 20-gauge cold-rolled steel reflectors are finished in 96 LG high reflectance matte white powder coat paint.

OPTICAL SYSTEM: Components include diffuser panels and a central optic element held in place with a frame constructed from die-formed cold-rolled steel. The diffusers are UV-stabilized and impact-resistant frosted virgin acrylic, 0.080" thick. They are either angled toward the central optic or parallel to the ceiling plane. The standard center rails are approximately 9/16" wide. Optional Narrows Rails are approximately 5/16" wide.

DOOR STYLE: *Curved Slotted (CS)* includes perforated rails that slope inward and a diffuse frosted acrylic center optic.

CENTER OPTIC OPTIONS: Only available with Angled (A), Angled Narrow Rail (ANR), and Flat (F) door styles.

Diffuse Center Optic (DCO): UV-stabilized and impact-resistant frosted virgin acrylic. Optional Soft Glow Optic (SGO) available for T8 only.

Slotted Center Optic (SCO): Die-formed cold-rolled steel panel with 1/16" x 1/2" rectangular hole pattern. Virgin acrylic overlay.

Round Center Optic (RCO): Die-formed cold-rolled steel panel with precision-punched 3/32" round hole pattern arranged in staggered formation. Virgin acrylic overlay.

LIGHT ENGINE: Available in 1 or 2 T8, T5, or T5HO lamp cross sections.

BALLAST: UL listed Class P. Electronic instant-start ballast <10% THD, 0.88 BF standard for T8 lamps. Electronic program-start ballasts <10% THD, 1.0 BF standard for T5/T5HO lamps. Electronic ballasts <10% THD, standard BF for FT lamps. Contact factory for available BF's. Optional adders: program-start ballasts (standard for T5/T5HO), 347V, emergency battery packs, dimming or bi-level ballasts (controls by others).

ELECTRICAL: Fixtures and electrical components are ETL listed conforming to UL1598 in the USA and Canada, and ETL listed certified to CAN/CSA C22.2 No. 250.0. In accordance with NEC code 410.73 (G) this luminaire contains an internal ballast disconnect. Optional low profile battery pack available for 1x4. Battery pack delivers 1500 lumens.



INTEGRATED SENSORS: Integrated PIR (Passive Infrared) occupancy and/or daylight sensors available. Refer to Occupancy Sensor and Daylight Sensor tech sheets for more info.

MOUNTING: Fixture is compatible with recessed junction boxes. Electrical connections can be made directly to wiring access plate shown above. Junction boxes can also be placed between mounting bars. Maximum center of feed location from 1x4 luminaire center is 2 3/4" (same for 1x2) along the dimension parallel to the mounting bars, and 14" (2 1/4" for 1x2) along dimension perpendicular to the mounting bars.

FINISH: Housing and door assembly painted with 96 LG high reflectance matte white powder coat paint. Optional adder: Anti-microbial paint. Contact factory.

FEED: Optional whips (with flex connectors) supplied in a maximum of 11' lengths. Lead Wires.

WIRING: Master / Satellite wiring available. Contact factory for configuration options.

LABELS: Fixture and electrical components are ETL-listed conforming to UL 1598 in the U.S.A. and CAN/CSA C22.2 No. 250.0 in Canada. In accordance with NEC Code 410.73 (G), this luminaire contains an internal ballast disconnect. Damp Location. Finelite products use electronic components that are RoHS compliant, and the mechanical components of the luminaire have been verified to not knowingly contain any restricted substances listed per RoHS Directive 2002/95/EC.

WEIGHT: 1x4 - 33.6 lbs maximum;
1x2 - 17.6 lbs maximum.