

FINELITE

E1-Indirect (E1-I) Configuration

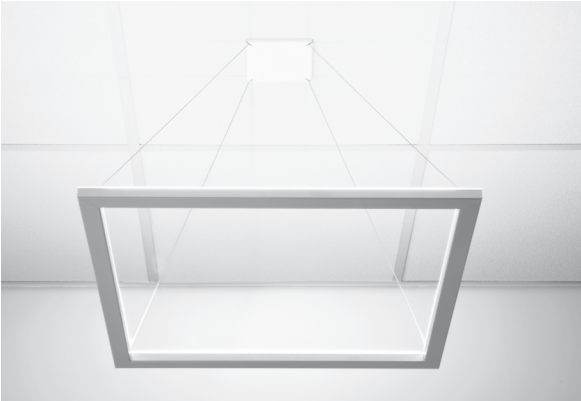


Date

Project

Type

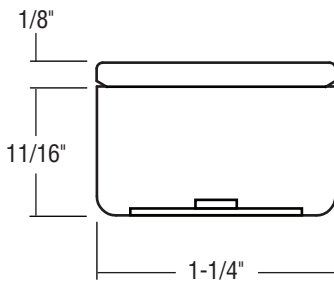
Comments



DESCRIPTION

Patent Pending

Openness and clean lines define the aesthetic of E1-I. It uses mid-power LEDs and a high performance optical design to spread light evenly, yielding a comfortable and energy efficient design. E1-I uses 0-10V dimmable drivers, is easily serviceable and available in an array of configurations to meet the specific needs of the designer.



DIMENSIONS/LIGHT ENGINE:

E1-I uses mid-power LEDs evenly distributed and paired with a precise diffuser to eliminate pixilation from viewable angles.



CONDUCTIVE CABLE:

Thin conductive cables bring power to and suspend E1-I, yielding a luminaire that appears to float in the space.

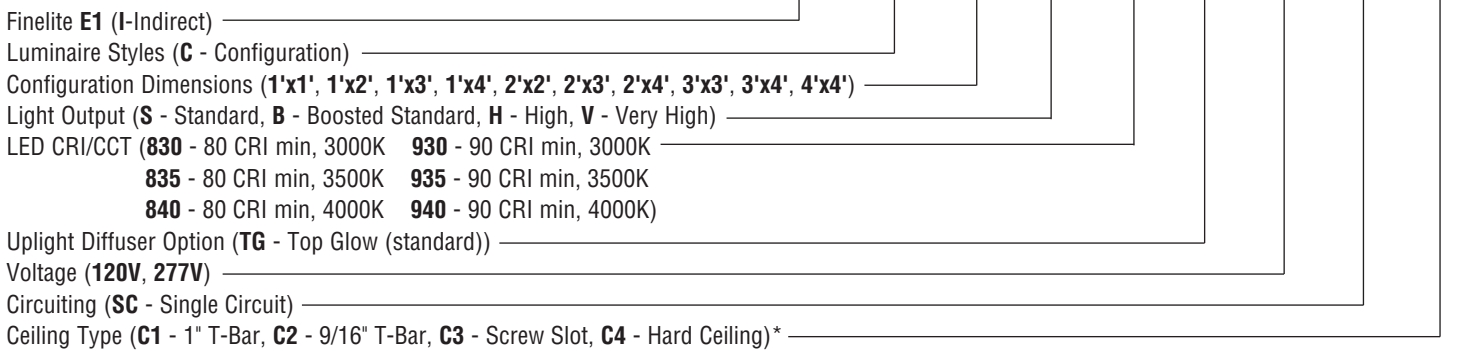


TOP GLOW™ DIFFUSER:

The diffuser provides a uniform glow above the luminaire for a clean architectural element.

ORDERING GUIDE

Sample Number: E1-I - C - 1'x1' - S - 835 - TG - 277V - SC - C1



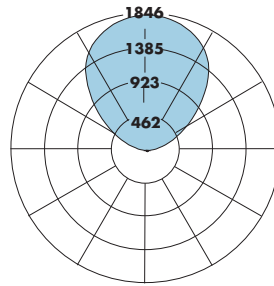
* See page 3 for mounting information.

FINELITE

E1-Indirect (E1-I) Configuration

PHOTOMETRY

Very High Output - 2'x2' (E1-I-C-4'-V-835-TG)
 Efficacy: 124 lumens per watt
 Total Luminaire Output: 4642 lumens / 37.3 watts
 CCT: 3500K; CRI: 80
 ITL LM79 Report 85175



CANDELA DISTRIBUTION						
	0	22.5	45.0	67.5	90.0	Flux
0	0	0	0	0	0	
5	2	2	2	1	1	0
15	7	7	8	7	6	2
25	10	11	12	13	10	5
35	12	14	17	17	13	10
45	13	17	21	19	15	14
55	13	18	22	19	15	16
65	13	19	22	19	15	18
75	13	19	22	19	15	20
85	16	20	23	21	17	21
90	14	16	17	15	11	
95	62	65	62	63	59	71
105	212	191	169	190	211	204
115	434	400	360	409	444	403
125	734	720	706	737	750	652
135	1108	1120	1152	1119	1102	864
145	1460	1459	1459	1454	1452	908
155	1658	1649	1651	1648	1655	761
165	1780	1770	1769	1767	1775	500
175	1836	1835	1835	1835	1835	174
180	1846	1846	1846	1846	1846	

Total Light Output, 3500K, 80 CRI (Lumens) - 2'x2'			
S*	B*	H*	V**
1900	2389	3610	4642

Lumen Adjustment Factors - 80 CRI	
3000K	0.985
3500K	1.000
4000K	1.032

Power, 3500K, 80 CRI (Watts)			
S*	B*	H*	V**
14.6	18.6	28.6	37.3

Lumen Adjustment Factors - 90 CRI	
3000K	0.746
3500K	0.760
4000K	0.789

Efficacy, 3500K, 80 CRI (Lumens Per Watt)			
S*	B*	H*	V**
130	129	126	124

S - Standard Output, B - Boosted Standard Output, H - High Output, V - Very High Output

* Family Correlation based on 4' luminaire 3500K Very High Output (V) test - 120V.
 ** Correlation based on ITL report: 85175

Apply a lumen adjustment factor to calculate lumens for the desired CCT and CRI.

SAMPLE LUMEN ADJUSTMENT CALCULATION

Standard Output (S), 4000K, 90 CRI

Lumen Adjustment Factor = 0.789

$$\text{Total Light Output} = 1900 \text{ lm} \times 0.789 = 1499 \text{ lm}$$

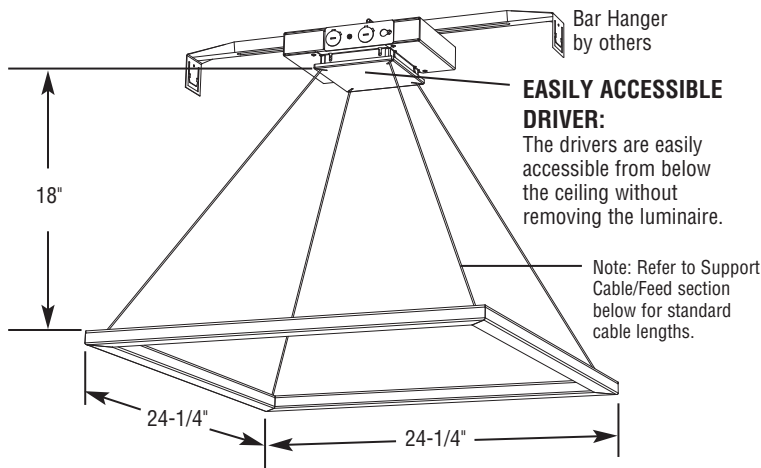
$$\text{Efficacy} = \frac{1499 \frac{\text{lm}}{\text{ft}}}{14.6 \frac{\text{W}}{\text{ft}}} = 103 \text{ lm/W}$$

FINELITE

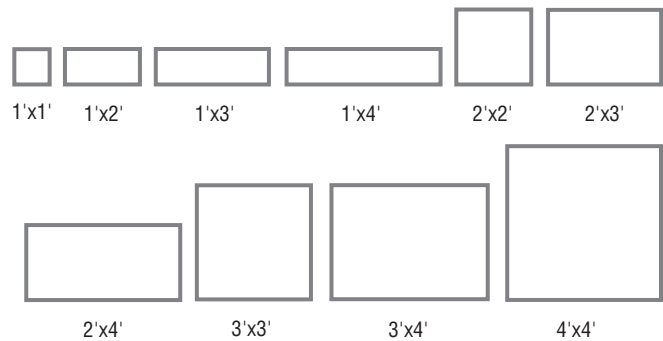
E1-Indirect (E1-I) Configuration

EASY INSTALLATION:

Specially designed mounting hardware and a unique canopy design makes E1-I easy to install and maintain. Designed to mount cleanly in the center of ceiling tile or sheetrock ceiling.



STANDARD CONFIGURATION DIMENSIONS



SPECIFICATIONS

CONSTRUCTION: Precision cut 6061-T6 extruded aluminum body with mitered corners. Top Glow™ diffuser snaps into place and is easily removed for service.

UPLIGHT DIFFUSER: The Top Glow™ diffuser is frosted white standard, 89% transmissive, 99% diffusion. Coupled with light engine design, the diffuser spreads the light evenly for enhanced ceiling uniformity.

LIGHT OUTPUT: Four lumen packages available, Standard (S), Boosted Standard (B), High (H), and Very High (V). A separate chart summarizes lumen distribution and wattage. Light engines are replaceable.

LIGHT ENGINE: The light engine is made up of high performance mid-power LEDs and is designed to distribute heat properly to maximize the life of the LEDs and the driver.

LUMEN MAINTENANCE: 90% of initial light output (L90) at 100,000+ hours; 70% of initial light output (L70) at 200,000+ hours.

DRIVER: Replaceable 120V/277V Constant Current Reduction dimming driver standard. Can be wired dimming or non-dimming. 0-10V dimming controls with a range of 10%- 100%. Dimming to 1% available;

consult factory. Driver is fully accessible from below the ceiling. Power Factor: 0.9. Total Harmonic Distortion (THD) <20%. Step-dimming driver (limited programmable outputs. Contact Factory). Expected driver lifetime: 100,000 hours.

ELECTRICAL: 120V or 277V prewired. Emergency to generator/ inverter wiring, internal generator transfer switch, nightlight wiring. Please note: Battery backup not available.

MOUNTING: Mounting hardware supplied by Finelite includes 1/4-20 hardware. Retention arm (bar hanger) for connection to ceiling grid or joists is by others. LED drivers are 100% accessible from below ceiling by simply lowering canopy.

FINISH: Finelite Signal White powder coat finish standard. Optional adds: 185 colors available using RAL color chart.

SUPPORT CABLE/FEED: Conductive feed/suspension cable standard. Standard suspension for 1'x1', 1'x2', 1'x3', 1'x4', and 2'x2' configurations is 18" from canopy to top of luminaire. Standard suspension for 2'x3', 2'x4', 3'x3', 3'x4', and 4'x4' configurations is 24". Contact factory for additional lengths.

STANDARD CONFIGURATIONS: Available in 1'x1', 1'x2', 1'x3', 1'x4', 2'x2', 2'x3', 2'x4', 3'x3', 3'x4', and 4'x4' configurations.

WEIGHT: 2'x2' E1-I weighs 6 lbs (including power supply).

LABELS: Luminaire and electrical components are ETL-listed conforming to UL 1598 in the U.S.A. and CAN/CSA C22.2 No. 250.0 in Canada. In accordance with NEC Code 410.73 (G), this luminaire contains an internal driver disconnect. Damp Location. Finelite products use electronic components that are RoHS compliant, and the mechanical components of the luminaire have been verified to not knowingly contain any restricted substances listed per RoHS Directive 2002/95/EC.

WARRANTY: E1-I C comes standard with a 10-year performance-based warranty on all components.

Patent Pending