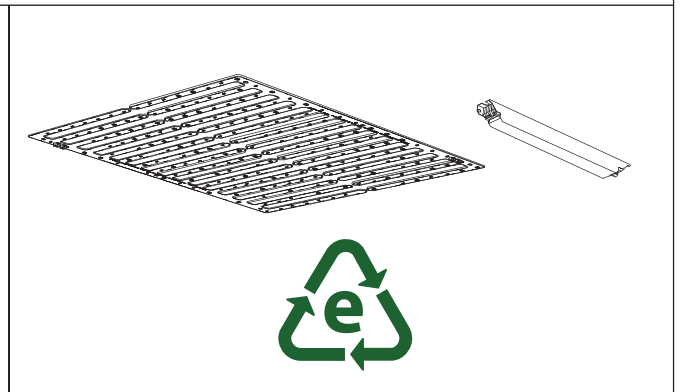
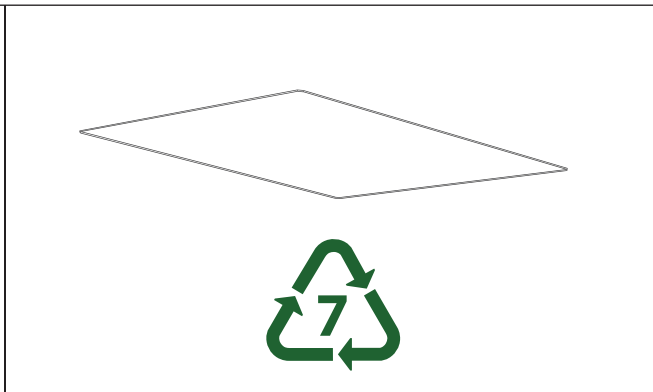
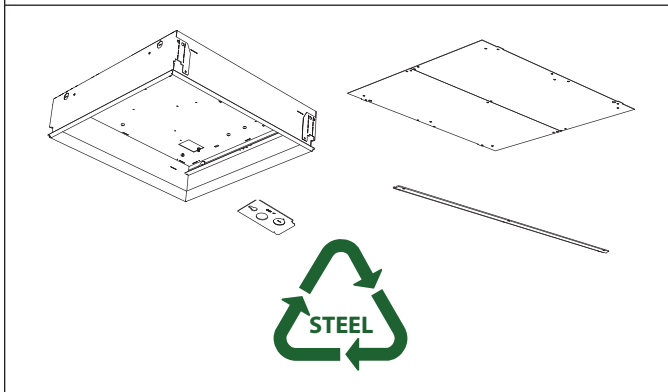
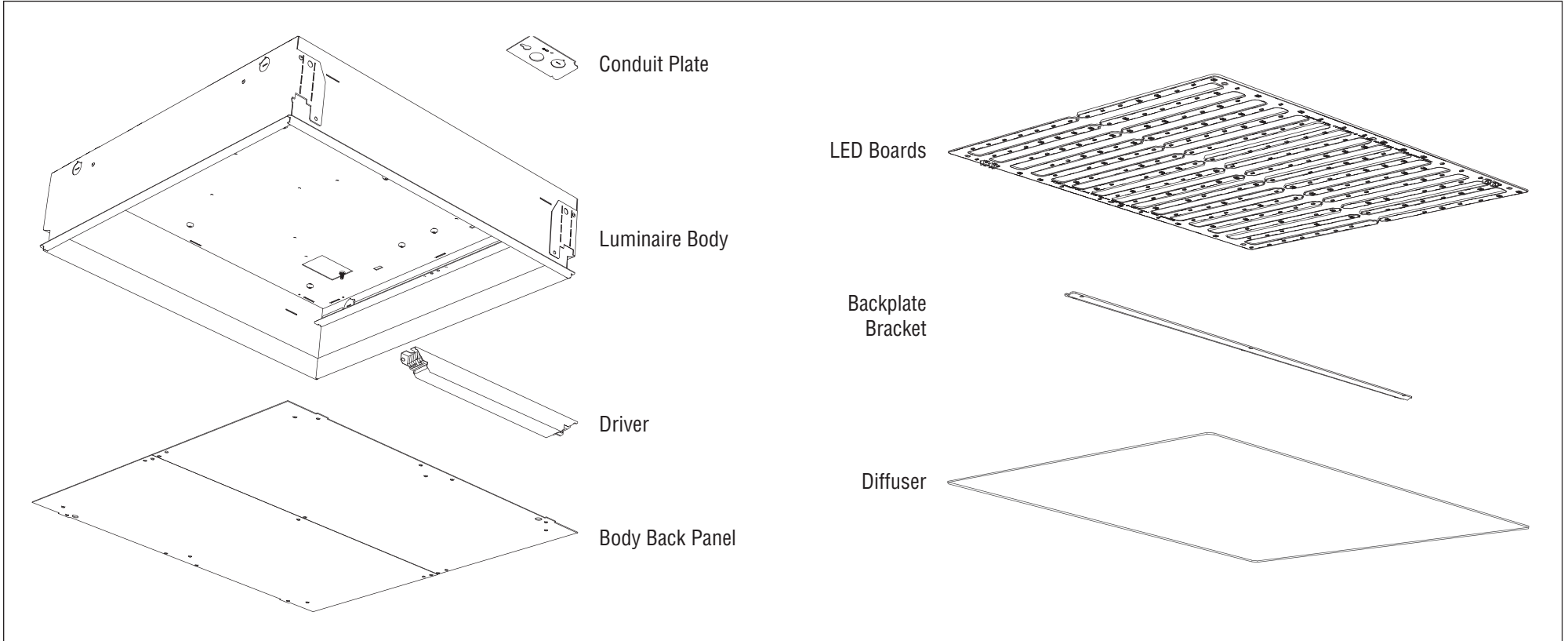


# HPT 2x2 Recycling

## Disassembly Instructions

Luminaire breaks down easily for recycling at the end of usable life\*.



\*Recycling information typical for all luminaire sizes. Contact factory for more information.

# HPT 2x2 Recycling

## Luminaire Breakdown

### 92% Recyclable

HPT 2x2 components are constructed from steel, e-waste, and plastic.  
HPT 2x2 is 92% recyclable at the end of useful life.

**FINELITE**<sup>®</sup>  
*Better Lighting*

