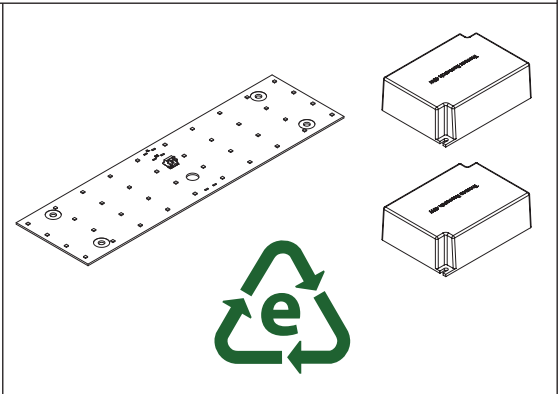
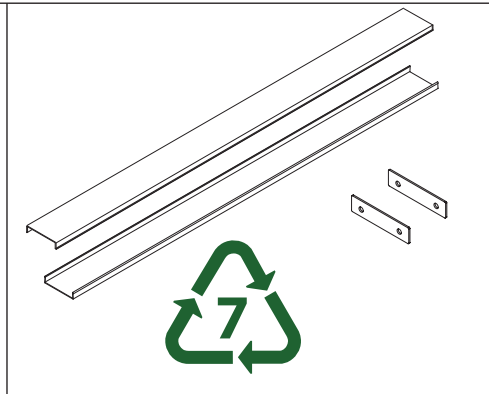
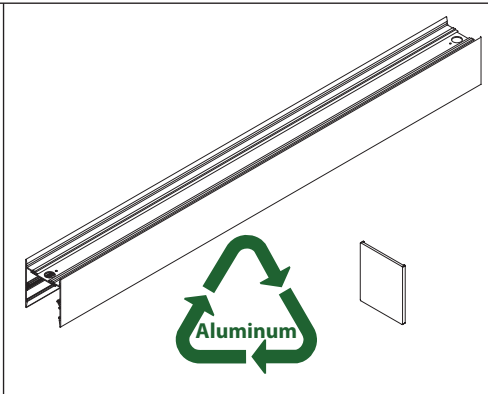
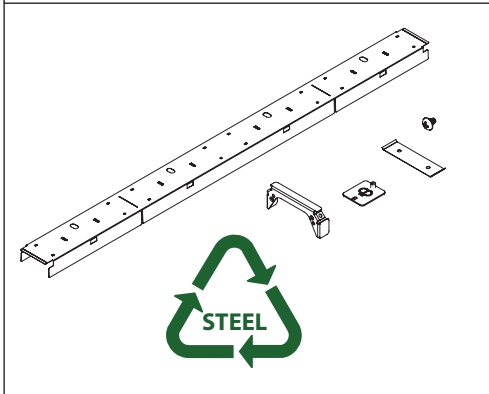
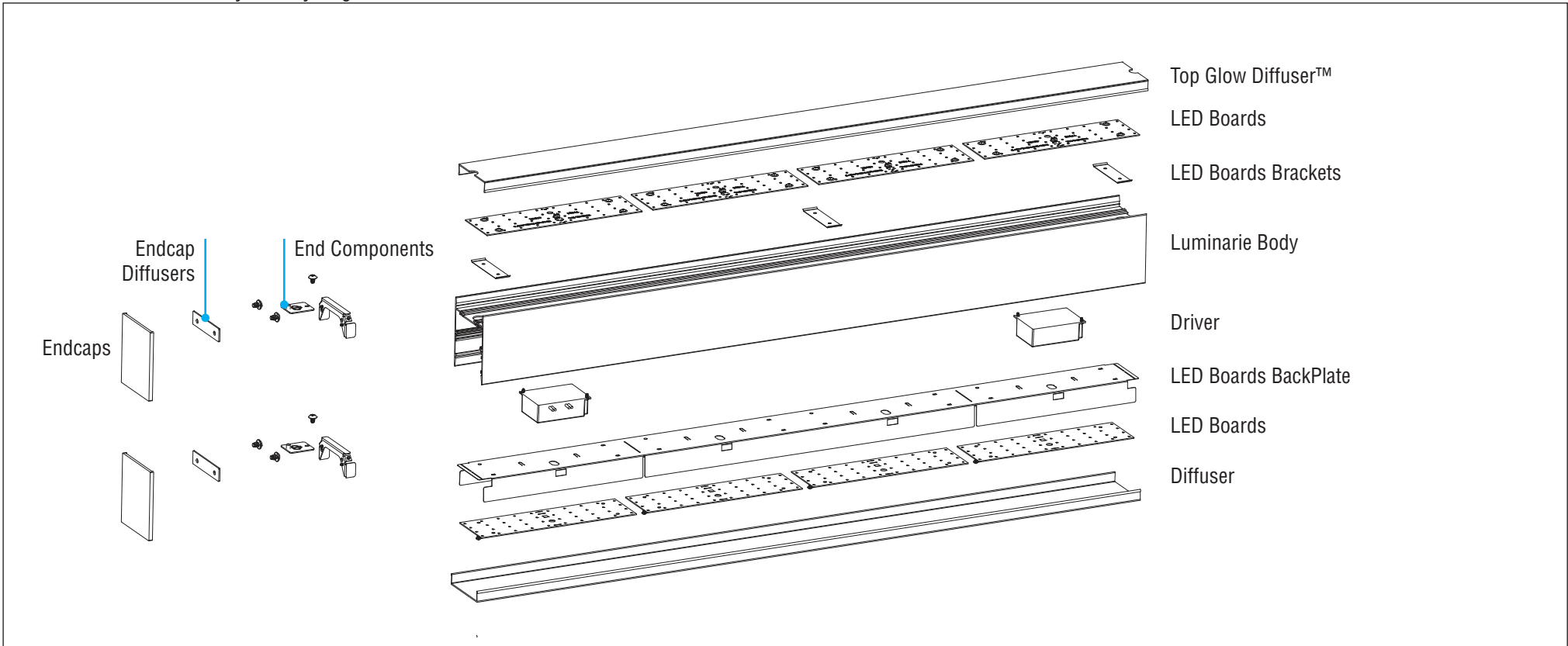


HP-4 Indirect/Direct and Regressed

HP-4 ID & ID RG Recycling Luminaire Breakdown

Luminaire breaks down easily for recycling at the end of usable life*.



*Recycling information typical for all luminaire sizes. Contact factory for more information.

Protected by one or more US Patents: 8915613; D702,391; D702,390; D700,732

HP-4 Indirect/Direct and Regressed

HP-4 ID & ID RG Recycling Luminaire Breakdown

82% Recyclable

HP-4 ID & ID RG components are constructed from aluminum, steel, copper wire, e-waste, and plastic.
HP-4 ID & ID RG is 82% recyclable at the end of useful life.

