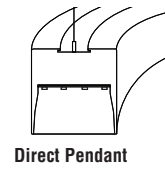


Pendant Mounting and Feed Guide

High Performance 4" Aperture Circle (HP-4 C)



FINELITE®
Better Lighting

Customer: _____ Job: _____ PO: _____

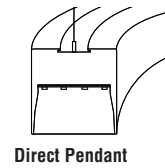
SUSPENSION TYPE				
	<p>Fully Adjustable 1/4 X 20 threaded coupler</p>	<input type="checkbox"/> 50"- Standard 89512	<input type="checkbox"/> 100" - 89153	<input type="checkbox"/> 150" - 89514 <input type="checkbox"/> Custom

MOUNTING HARDWARE		
See pg. 3 for On-Grid mounting Guide		
<input type="checkbox"/> On-Grid 1" T-Bar Support 94001 <p style="text-align: right; font-weight: bold; font-size: 1.2em;">C1</p>	<input type="checkbox"/> On-Grid 9/16" T-Bar Support 94020 <p style="text-align: right; font-weight: bold; font-size: 1.2em;">C2</p>	<input type="checkbox"/> On-Grid 9/16" Screw Slot T-Bar Support 94029 <p style="text-align: right; font-weight: bold; font-size: 1.2em;">C3</p>
<input type="checkbox"/> Caddy 512 HD Between T-Bar Supports 89316 	<input type="checkbox"/> 9/16" Screw Slot HD With Extended Stud For Tegular Tile 94029 & 94067 	

POWER FEED			
<input type="checkbox"/> Straight 18/5 SJT Cord 96105 <p>1 Circuit + 0-10V Dimming</p>	<input type="checkbox"/> Straight 18/3 SJT Cord 96099 <p>No 0-10V Dimming Control</p>	<input type="checkbox"/> Straight 18/4 SJT Cord 2 Circuit 96100 <p>No 0-10V Dimming Control</p>	<input type="checkbox"/> Cord and Plug

Pendant Mounting and Feed Guide

High Performance 4" Aperture Circle (HP-4 C)



FINELITE®
Better Lighting

Customer: _____ Job: _____ PO: _____

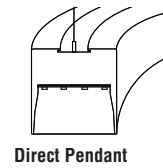
Finelite Standard	<p>Power Connection & Support</p> <p><input type="checkbox"/> Finelite GridBox™ Flex supplied by others.</p> <p>89330</p>	<p>Non-Power Connection & Support</p> <p><input type="checkbox"/> 2" Canopy</p> <p>89331</p>
--------------------------	--	---

* Supplied with 5" Canopy.

Options	<p><input type="checkbox"/> Dual GridBox™ Connection Flex supplied by others.</p> <p>89332</p>	<p><input type="checkbox"/> GridBox™ Connection Tegular Tile</p> <p>89335</p>	<p><input type="checkbox"/> 3.5" Canopy</p> <p>89333</p>	<p><input type="checkbox"/> 2" Canopy Tegular Tile</p> <p>89200</p>	
	<p><input type="checkbox"/> J-Box Feed Support*</p> <p>89111</p>	<p><input type="checkbox"/> J-Box Support*</p> <p>89210</p>			
Options	<p><input type="checkbox"/> Offset J-Box Surface Mount*</p> <p>↔ up to 24" ↔</p> <p>81113</p>	<p><input type="checkbox"/> Offset J-Box T-Bar Support*</p> <p>89106</p>	<p><input type="checkbox"/> Surface Mount (Standard)</p> <p>89225</p>	<p><input type="checkbox"/> Surface Mount (Optional)</p> <p>89334</p>	
	<p><input type="checkbox"/> Dual Offset J-Box Surface Mount*</p> <p>↔ up to 24" ↔</p> <p>81111</p>	<p><input type="checkbox"/> Dual Offset J-Box T-Bar Support*</p> <p>89107</p>	<p><input type="checkbox"/> Custom Power Connection</p>	<p><input type="checkbox"/> No Power Connection</p>	<p><input type="checkbox"/> Custom Non-Power Connection</p>

Hardware compatible with 4" octagonal J-Box. Consult Finelite Customer Service for pricing on all options.

Pendant Mounting and Feed Guide High Performance 4" Aperture Circle (HP-4 C)

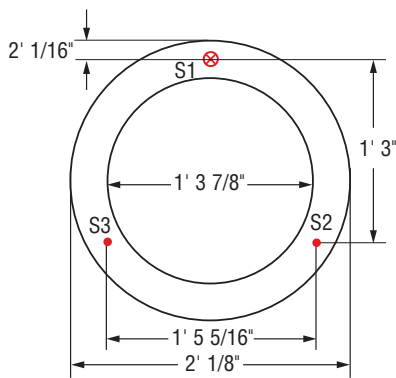


FINELITE®
Better Lighting

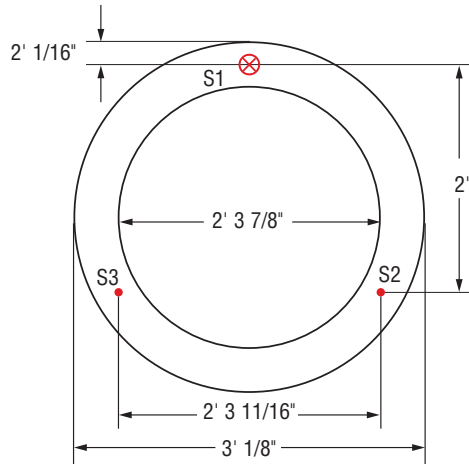
Customer: _____ Job: _____ PO: _____

Sizes (Top View)

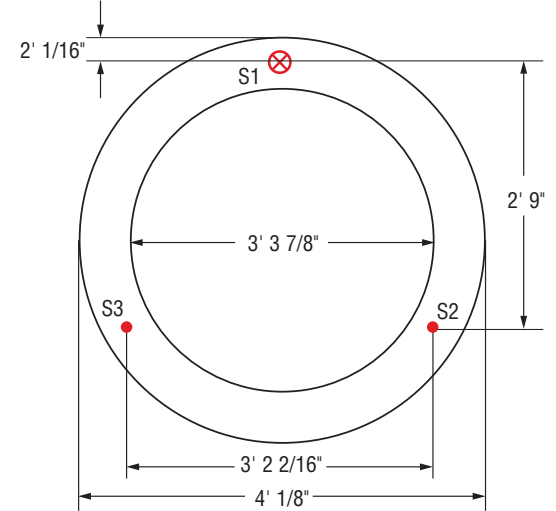
2' Diameter



3' Diameter

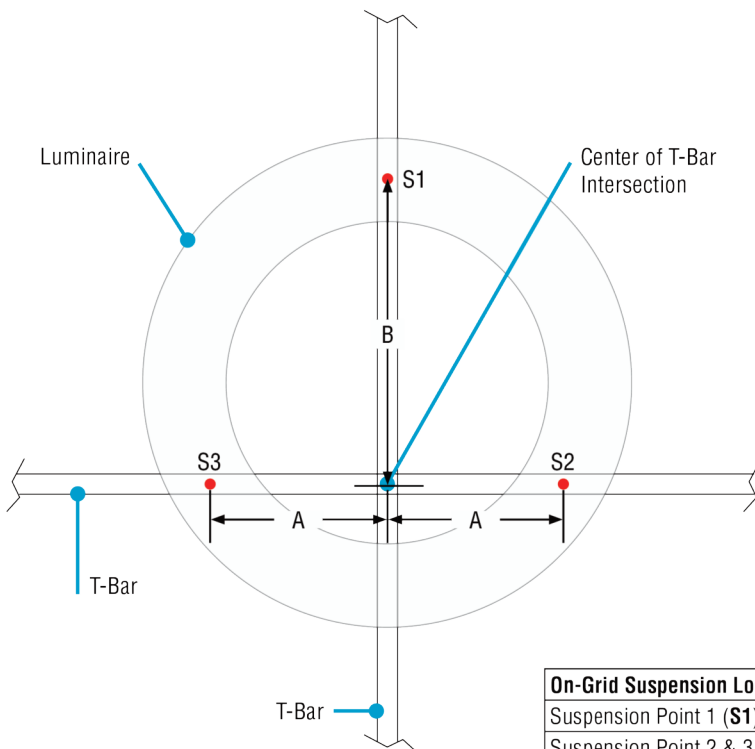


4' Diameter



- ⊗ = Feed Location and Suspension Point
- = Suspension Point

On-Grid Mounting Guide (Bottom View)



- = Suspension Point

On-Grid Suspension Location	Label	Nominal Circle Diameter (ft)		
		2	3	4
Suspension Point 1 (S1) Distance	B	15"	24"	33"
Suspension Point 2 & 3 (S2, S3) Distance	A	8-11/16"	13-7/8"	19-1/16"

Measure from Center of T-Bar Intersection to Suspension Points