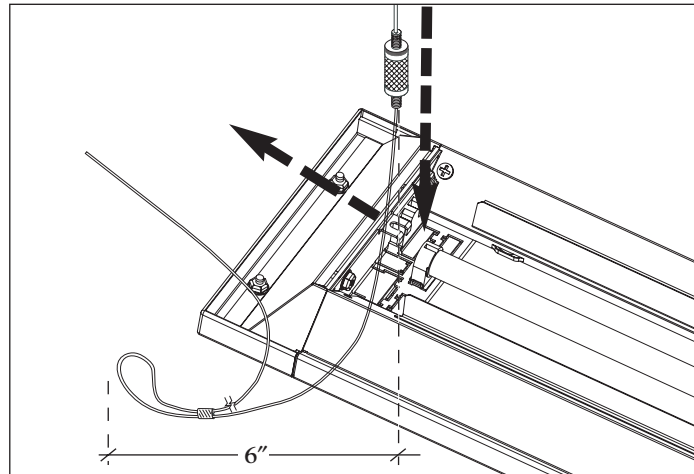


# FINELITE

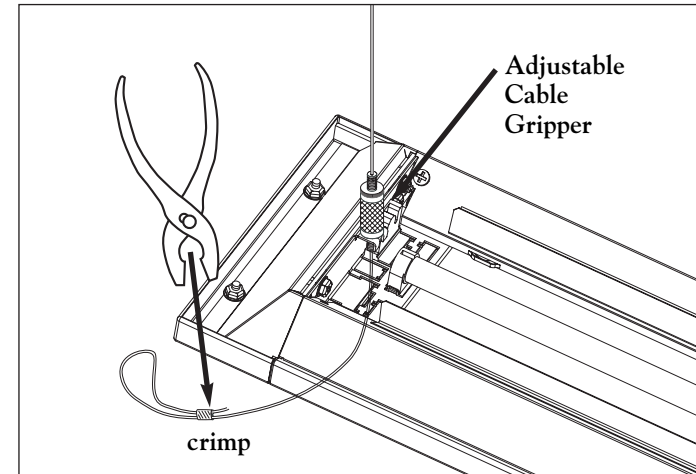
## Series 14 Instructions Fully Adjustable Cable

### ADJUST & LEVEL (endcap detail)



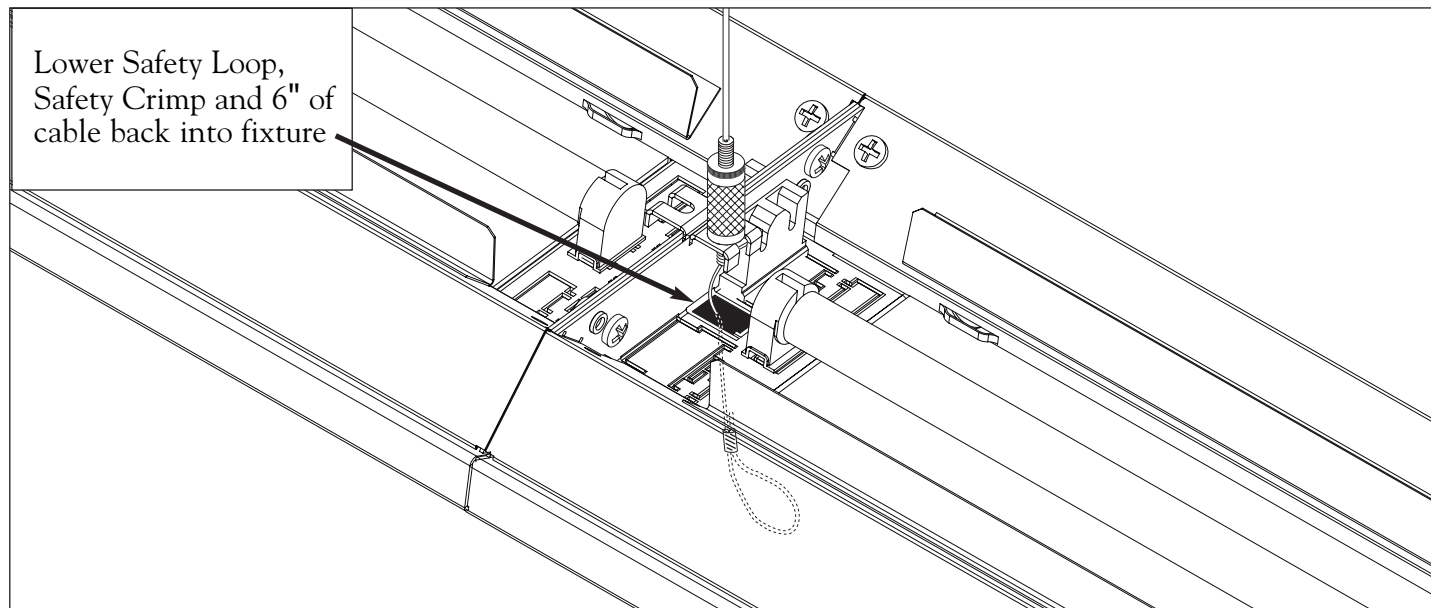
1. Position the serrated kep nut of the adjustable cable gripper under the mounting hooks, rotate up to sit securely on top of hook. Finger tighten kep nut until secure. (Avoid over-tightening.) Depress Release Lock Nut to adjust A/C, relock to secure.

### SECURE & TRIM (endcap detail)

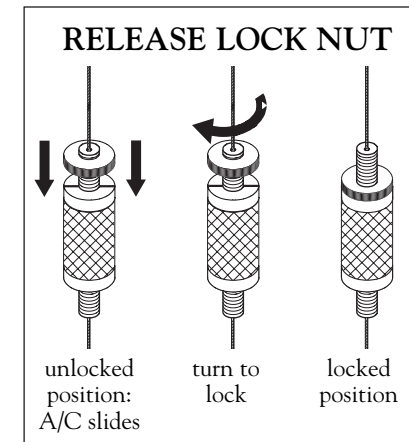


2. Extend cable 9" down from Safety Gripper, fold back 3" to make Safety Loop. Secure Safety Loop with crimping tool. Trim excess cable. Lower Safety Loop, Safety Crimp and 6" of cable into fixture.

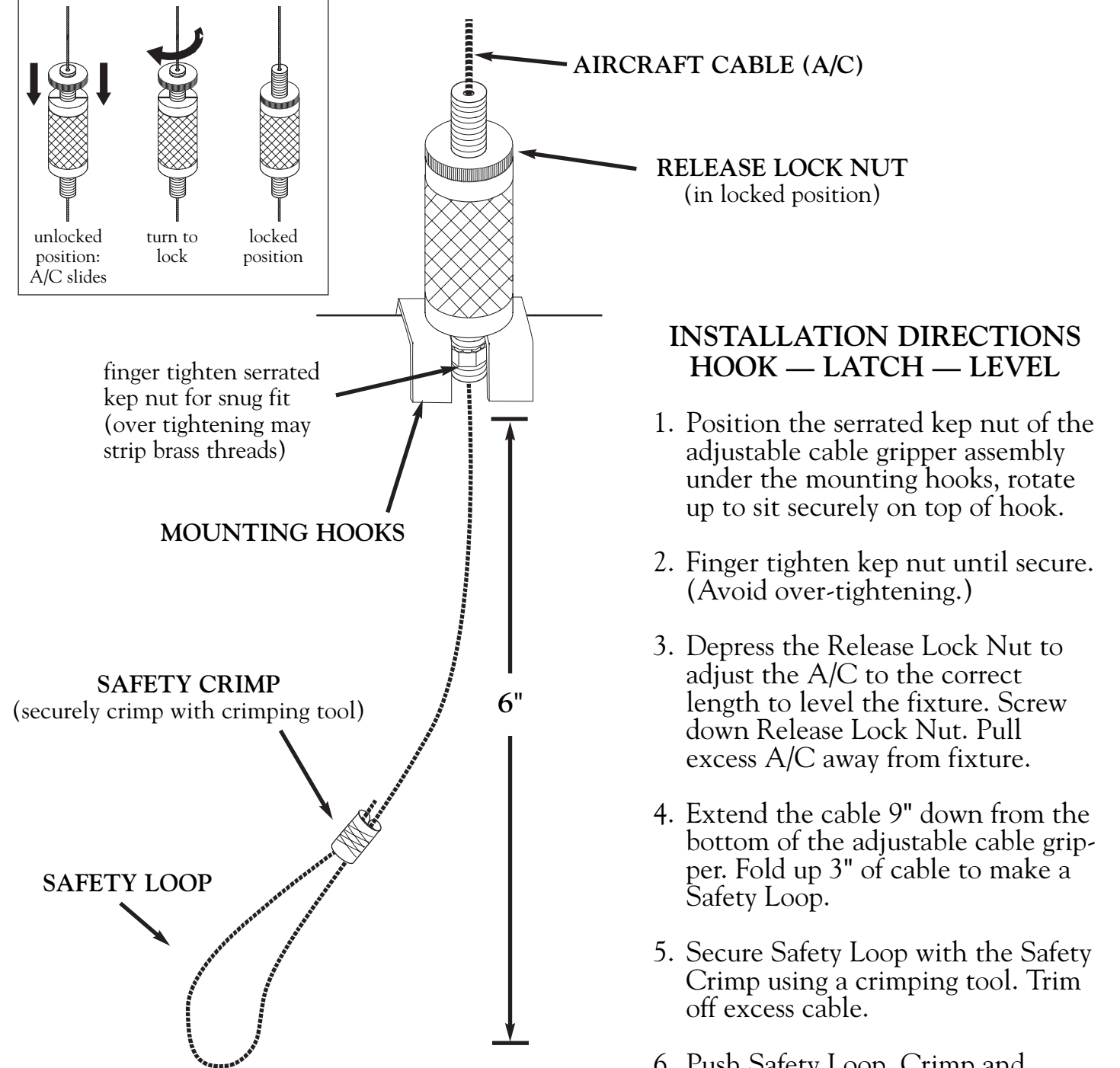
### INSERT TO COMPLETE (joint detail)



**FINAL CHECK:** In completed installation the Release Lock Nut is screwed down, Kep Nut is tight, crimp has been secured, Safety Loop and Safety Crimp and 6" of aircraft cable are securely inside fixture body.



### ADJUSTABLE CABLE GRIPPER ASSEMBLY



### INSTALLATION DIRECTIONS HOOK — LATCH — LEVEL

1. Position the serrated kep nut of the adjustable cable gripper assembly under the mounting hooks, rotate up to sit securely on top of hook.
2. Finger tighten kep nut until secure. (Avoid over-tightening.)
3. Depress the Release Lock Nut to adjust the A/C to the correct length to level the fixture. Screw down Release Lock Nut. Pull excess A/C away from fixture.
4. Extend the cable 9" down from the bottom of the adjustable cable gripper. Fold up 3" of cable to make a Safety Loop.
5. Secure Safety Loop with the Safety Crimp using a crimping tool. Trim off excess cable.
6. Push Safety Loop, Crimp and remaining 6" of cable down into fixture body.

89450 Fully Adjustable Cable Installation Instructions

89450 Fully Adjustable Cable Assembly