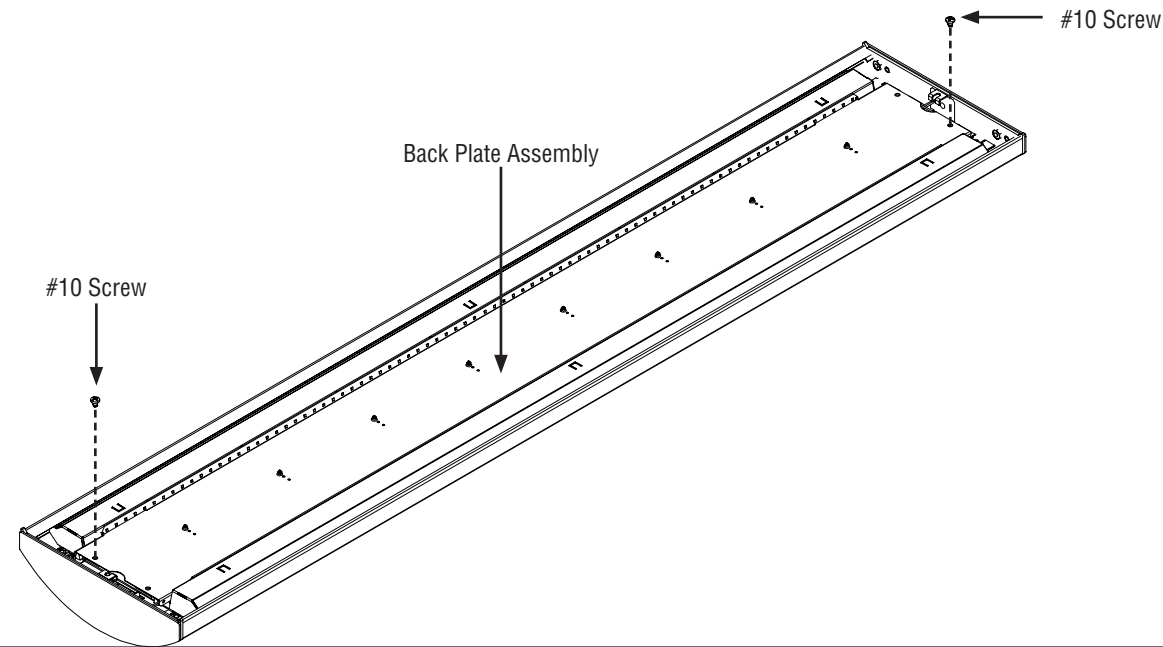


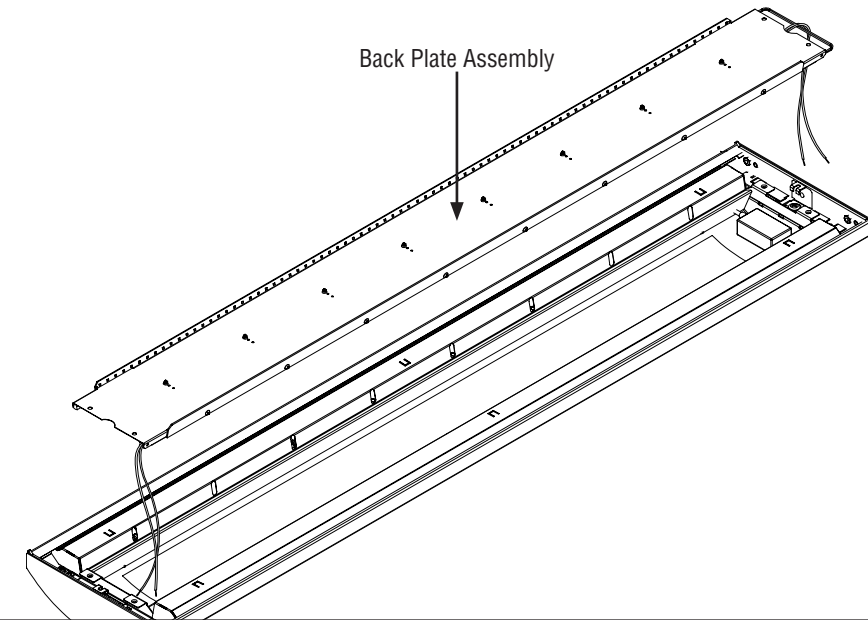
Series 12 3E LED Driver Replacement Installation Instructions

Step 1



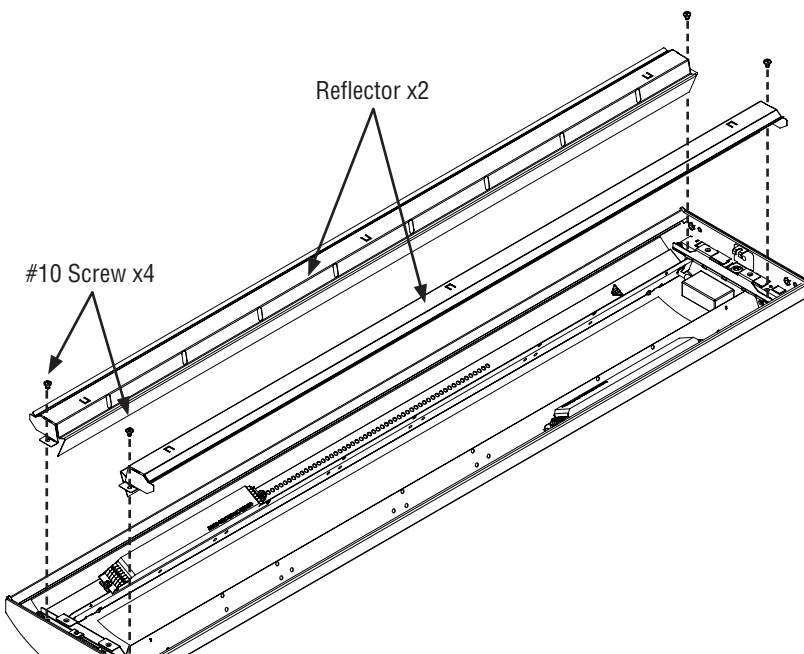
Remove #10 screws (2) from both ends of back plate assembly, then remove back plate assembly.

Step 2



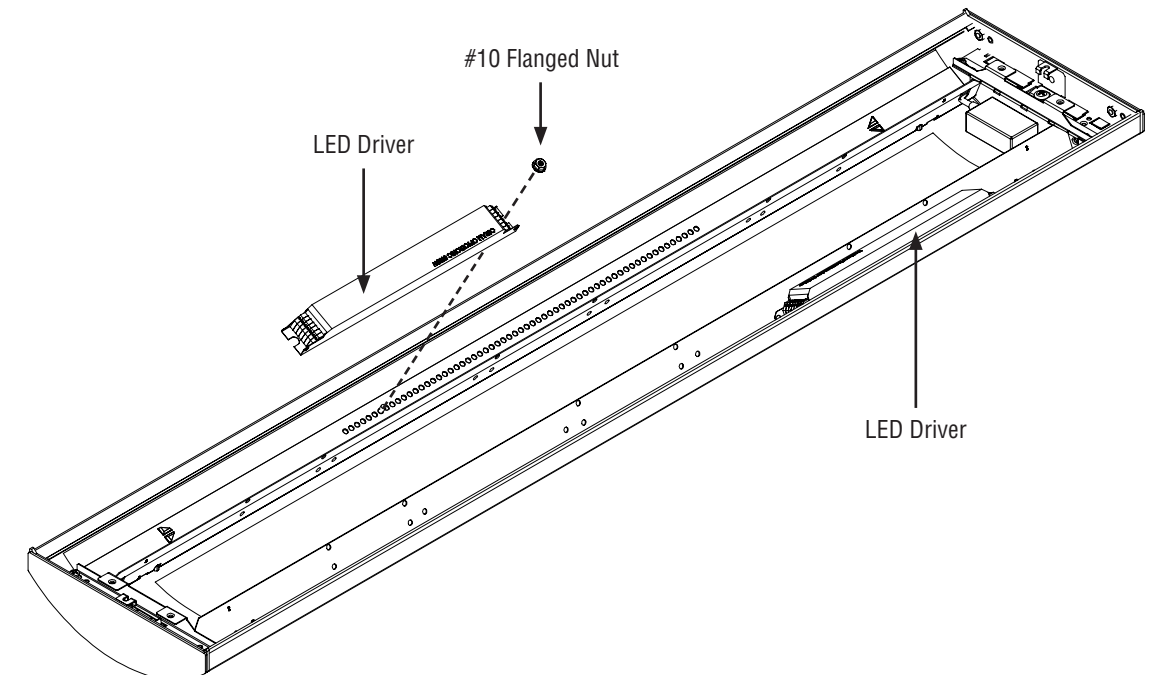
Disconnect all feed harnesses. Keep all cables and re-use with new LED driver(s).

Step 3



Remove 4 #10 screws from both ends of the reflectors. Remove reflectors to access LED driver(s).

Step 4



Remove #10 flanged nut that secures the LED driver(s) and replace with new driver(s). Reverse steps to reassemble luminaire.