
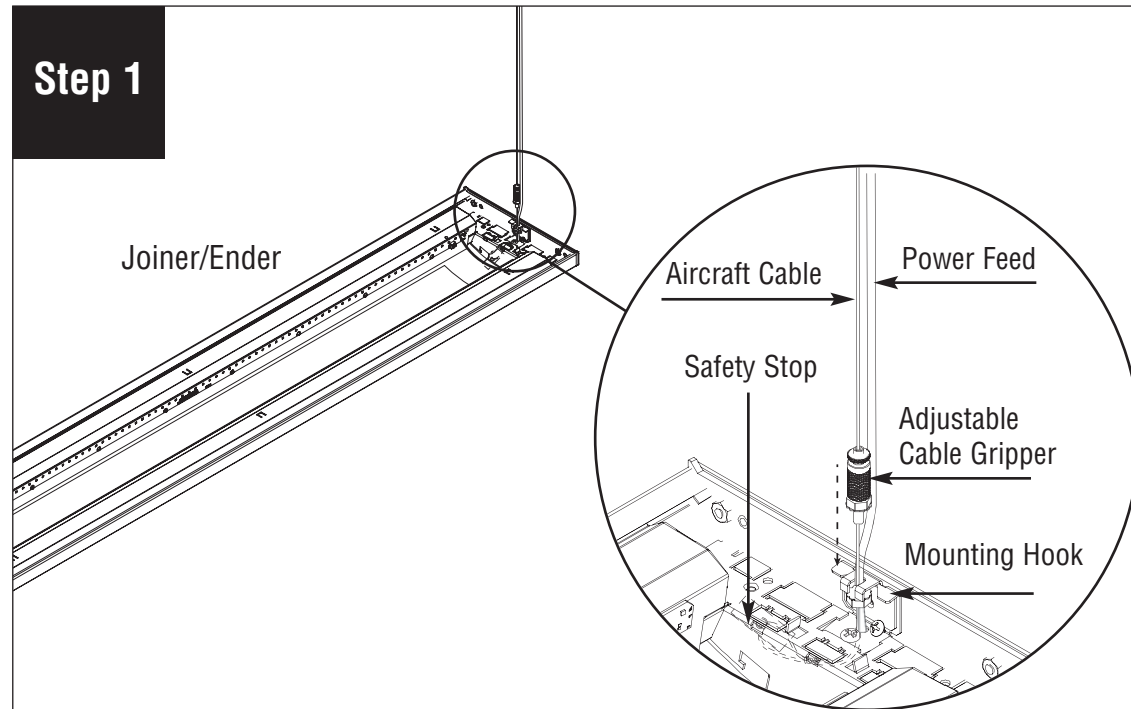


S12 LED 2E Fully Adjustable Cable Joiner/Ender Installation Instructions

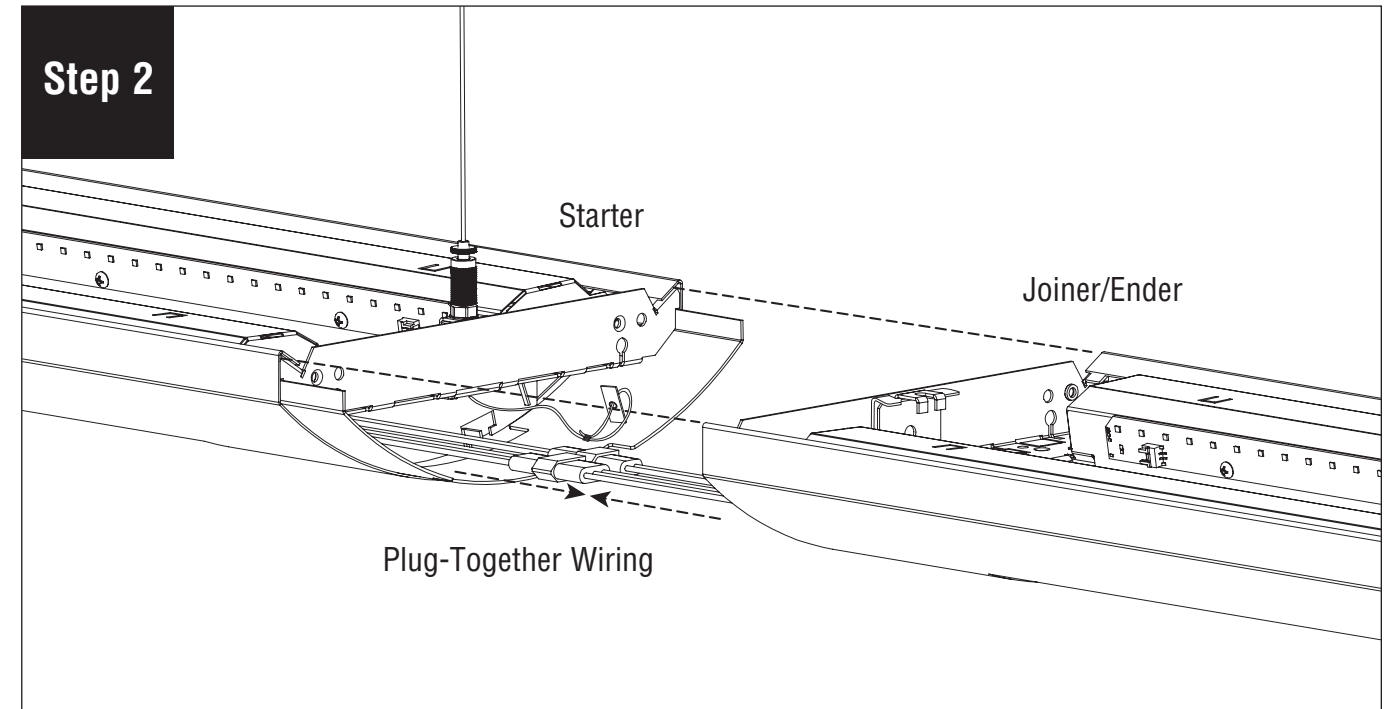
Scan QR code for helpful video(s)



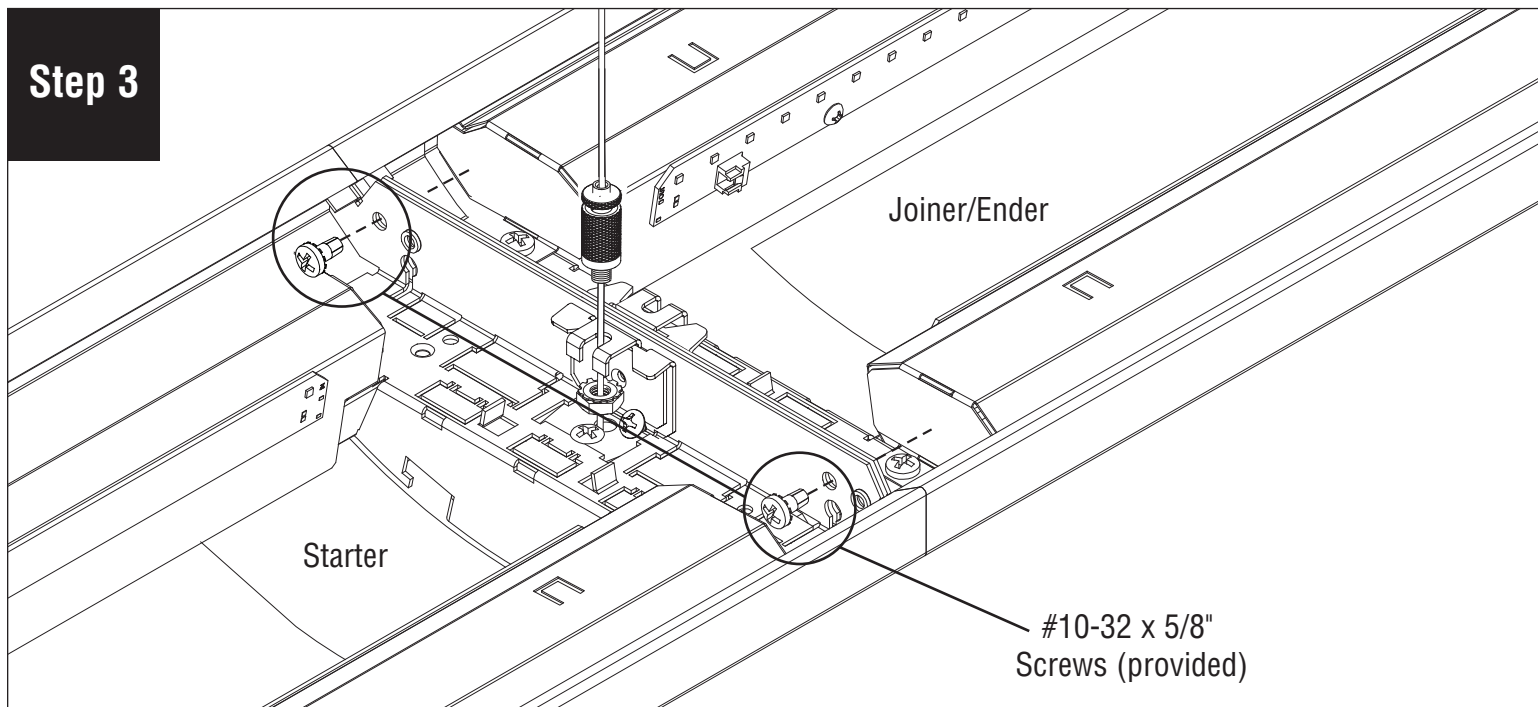
0 - 10V Dimming



Install aircraft cable into gripper and install gripper onto the end of joiner luminaire. Slide safety stop and safety crimp up to the aircraft cable within 6" of cable gripper and secure inside luminaire body.



Connect plug-together wiring. Align joiner luminaire onto starter luminaire using joiner plate. Be careful not to pinch any wiring.



Secure joint with #10-32 x 5/8" screws (provided). Level luminaire and turn power on.

Note: All power connections to be installed to local/national codes by a Certified Electrician.