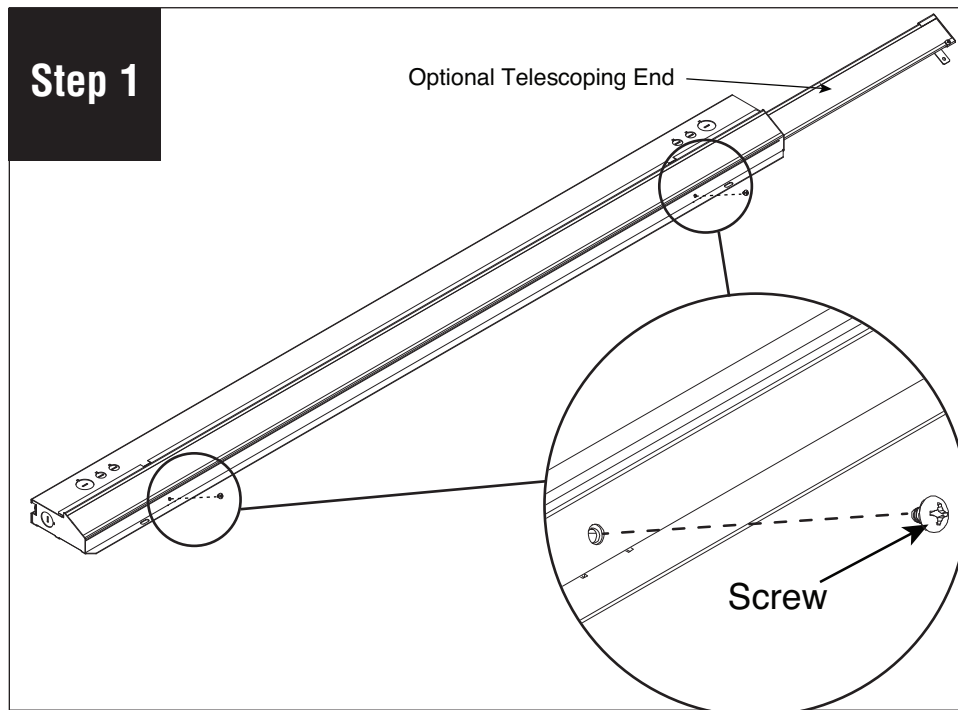
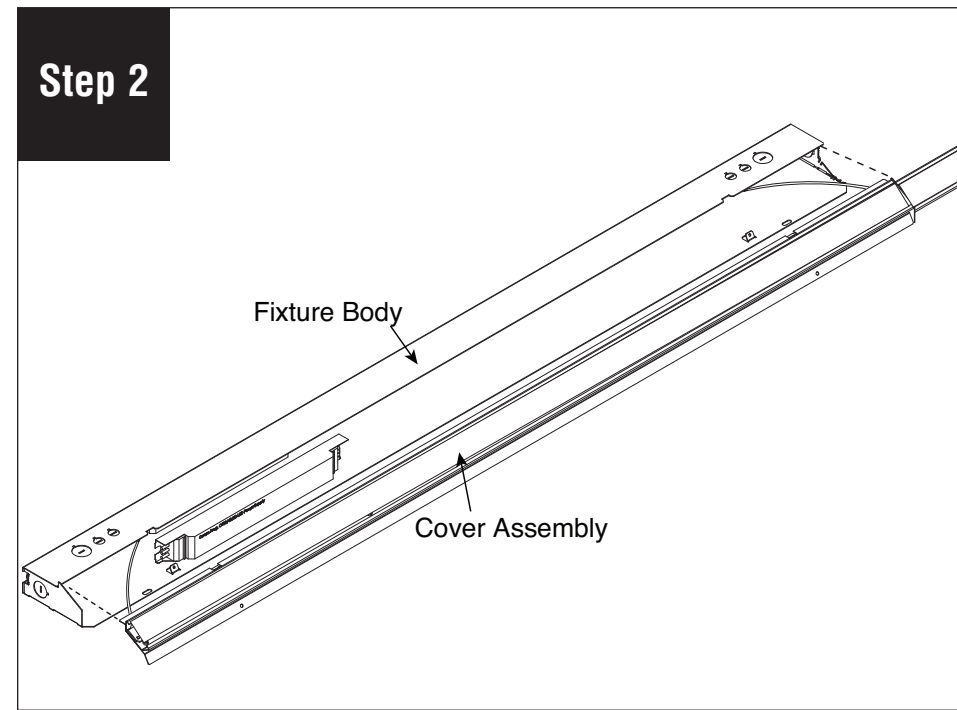


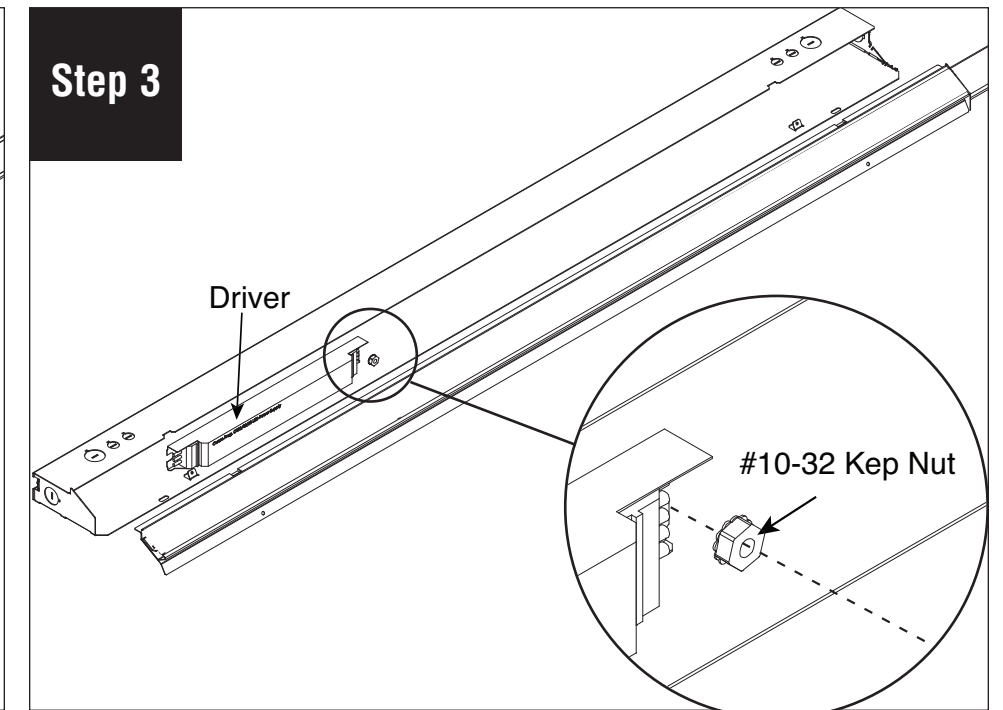
Series 11 Micro Profile LED Driver Replacement Installation Instructions



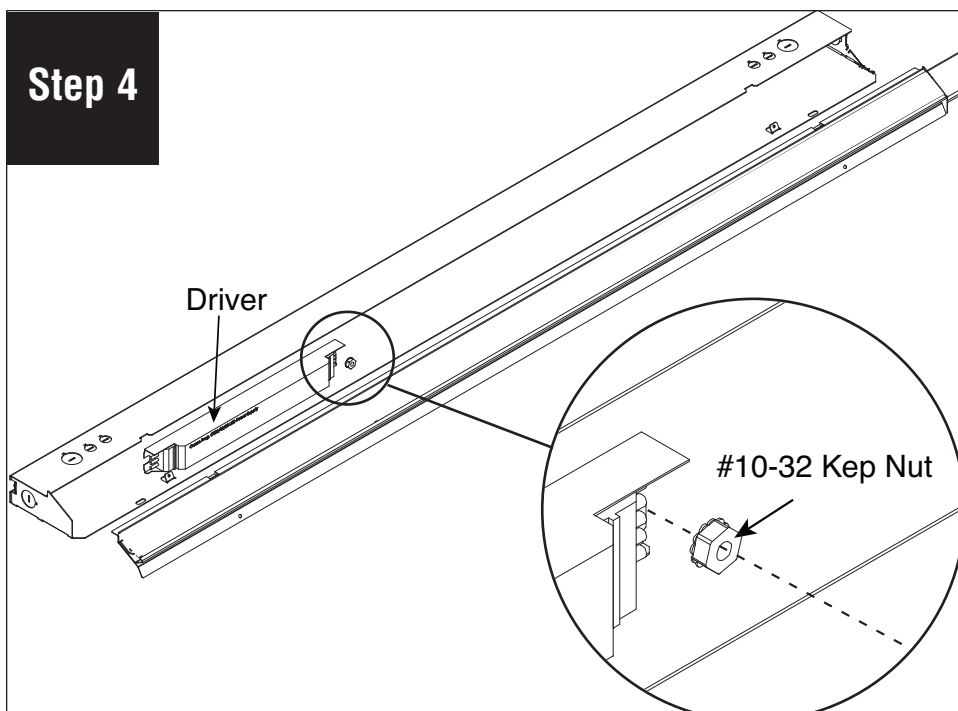
Confirm which Power Supply needs to be replaced. Shut off power to the fixture. Remove 2x Phillips screws on cover using #2 phillips screw driver.



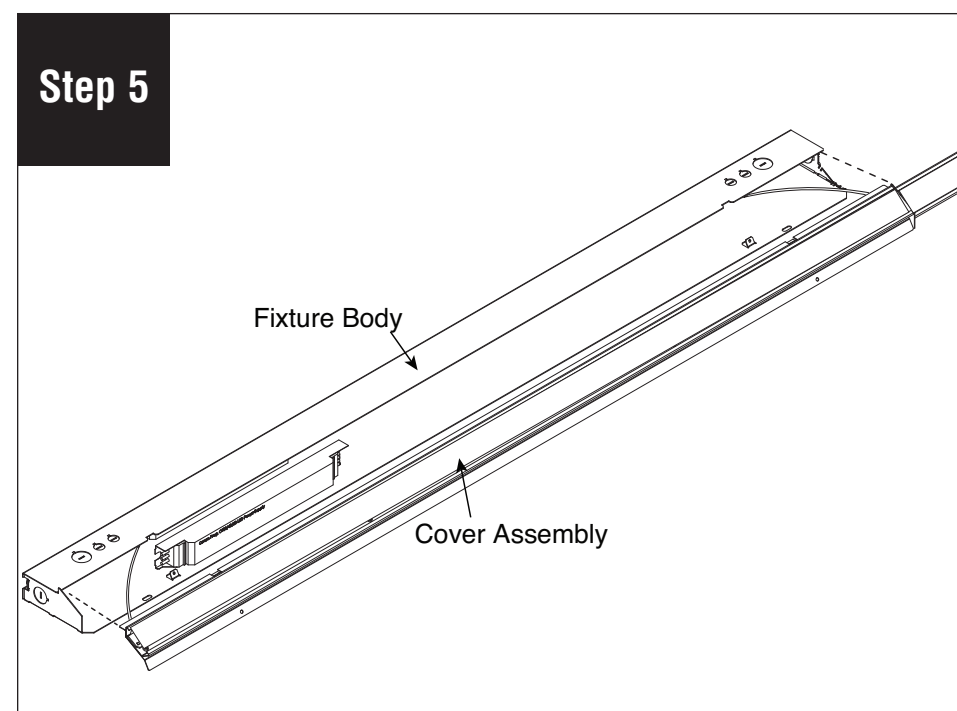
Pull cover assembly away from body.



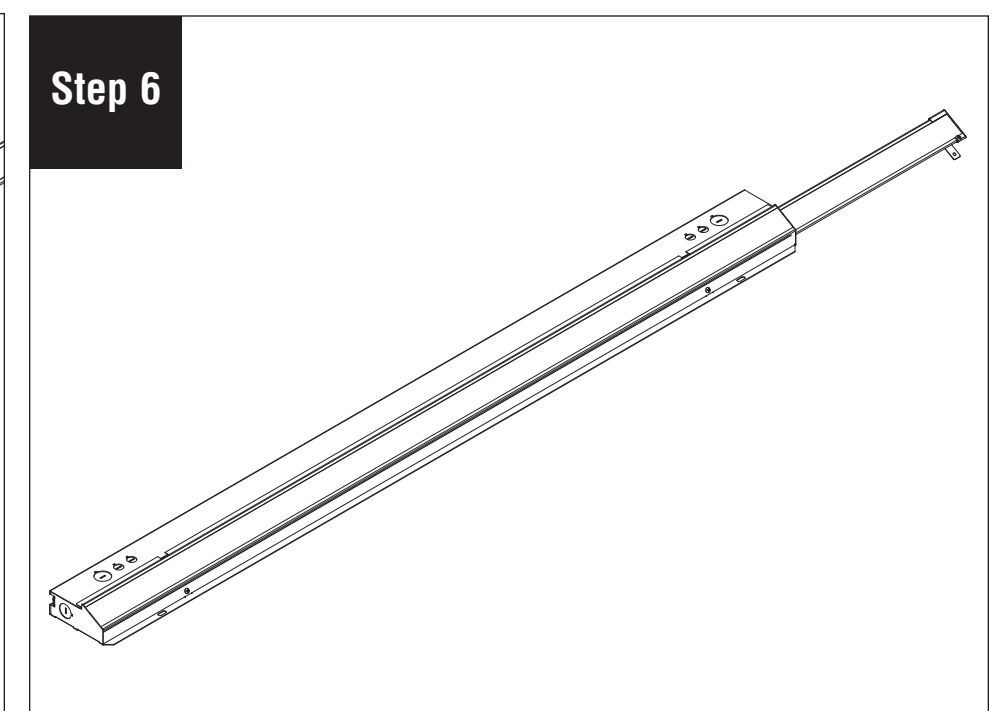
Carefully remove wires connected to Power Supply. Remove #10-32 Kep Nut with 3/8" Nut Driver, and remove Driver from Housing. Return spent Power Supply to Finelite or local E-Waste Recycler.



Carefully replace wires connected to Power Supply. Replace #10-32 Kep Nut with 3/8" Nut Driver to secure Power Supply to housing.



Return cover assembly and secure 2x phillips screws on cover using #2 phillips screw driver.



Turn power on to fixture.