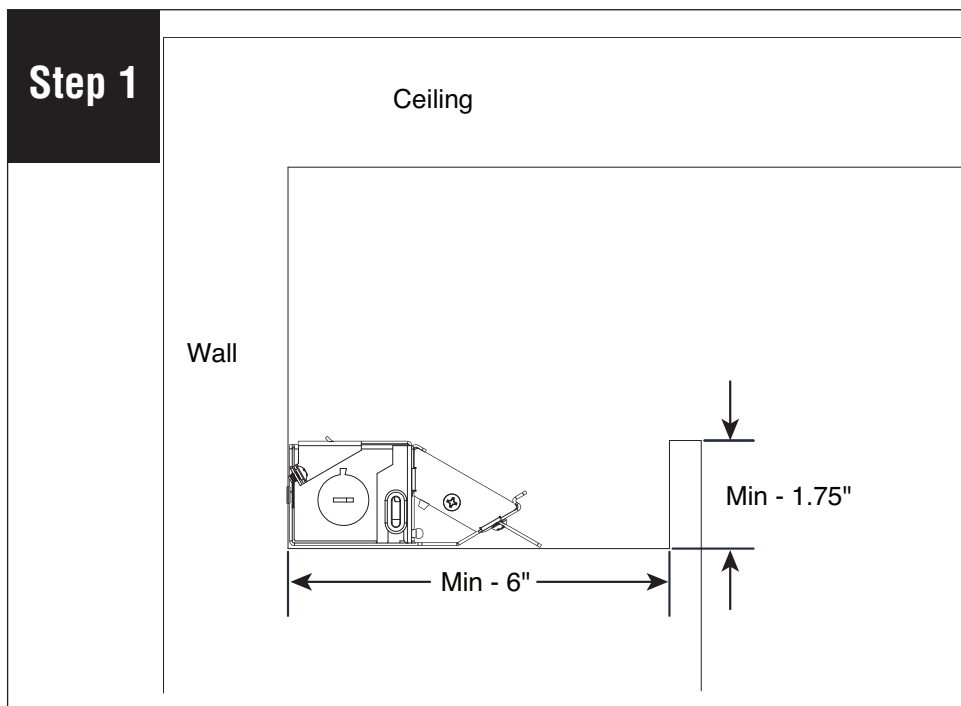
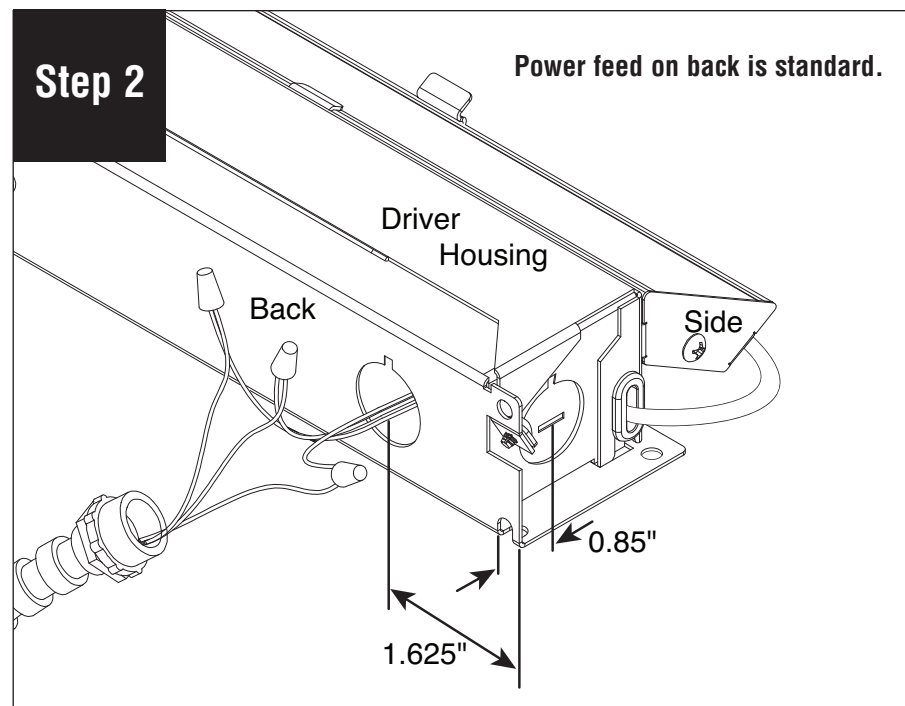


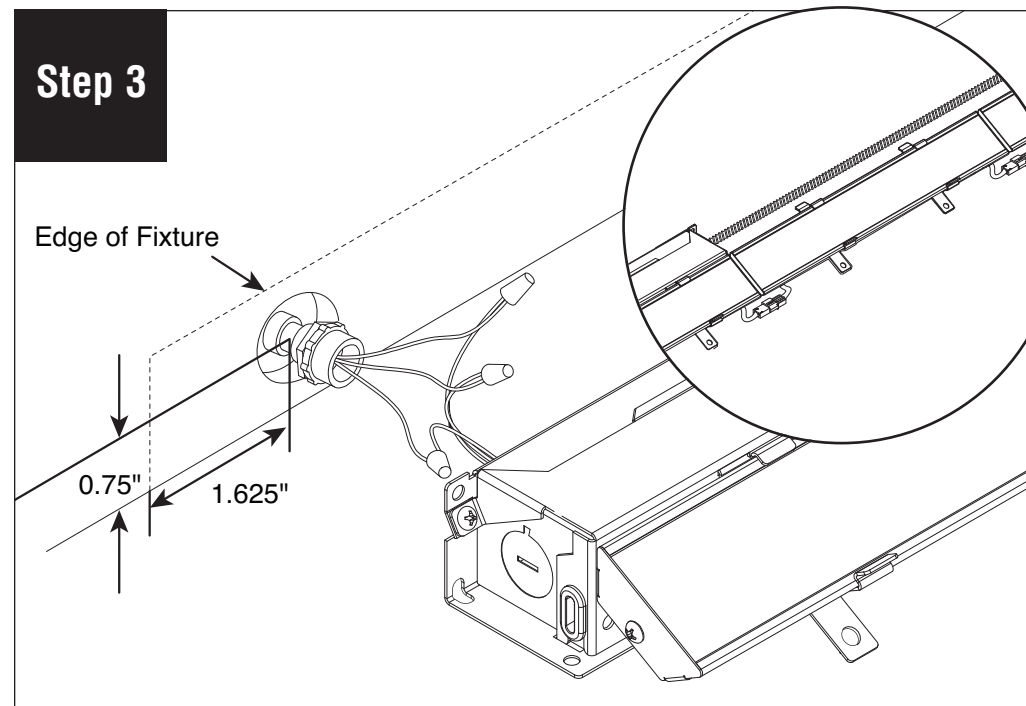
# Series 11 Micro Flex LED Starter/Joiner Installation Instructions



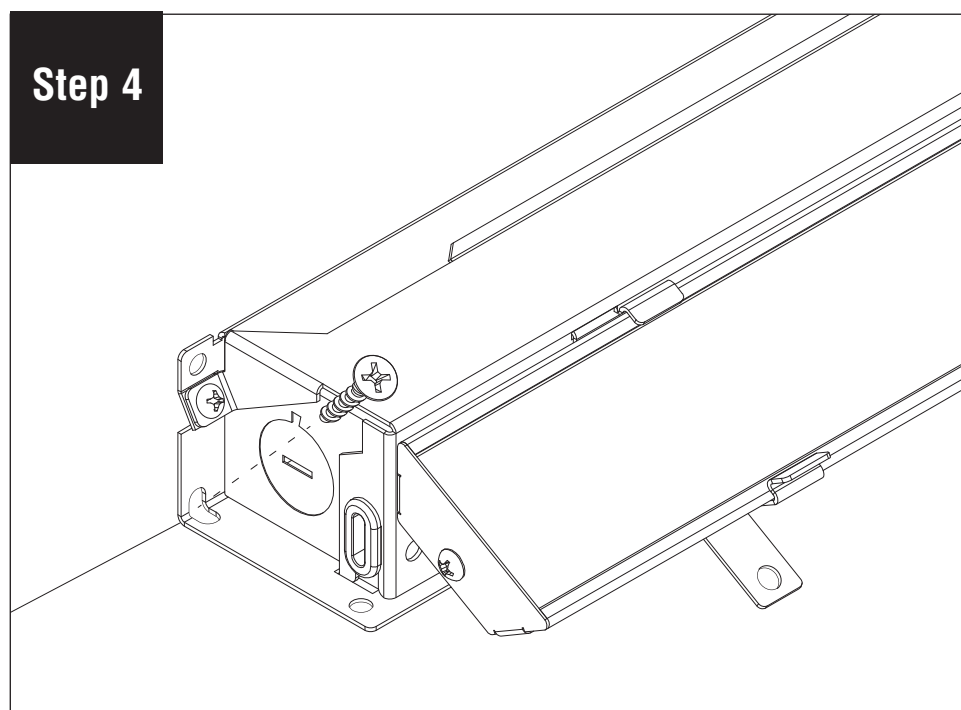
Step 1 Create an architectural cove with a min. 6" x 1.75". Place fixture in cove.



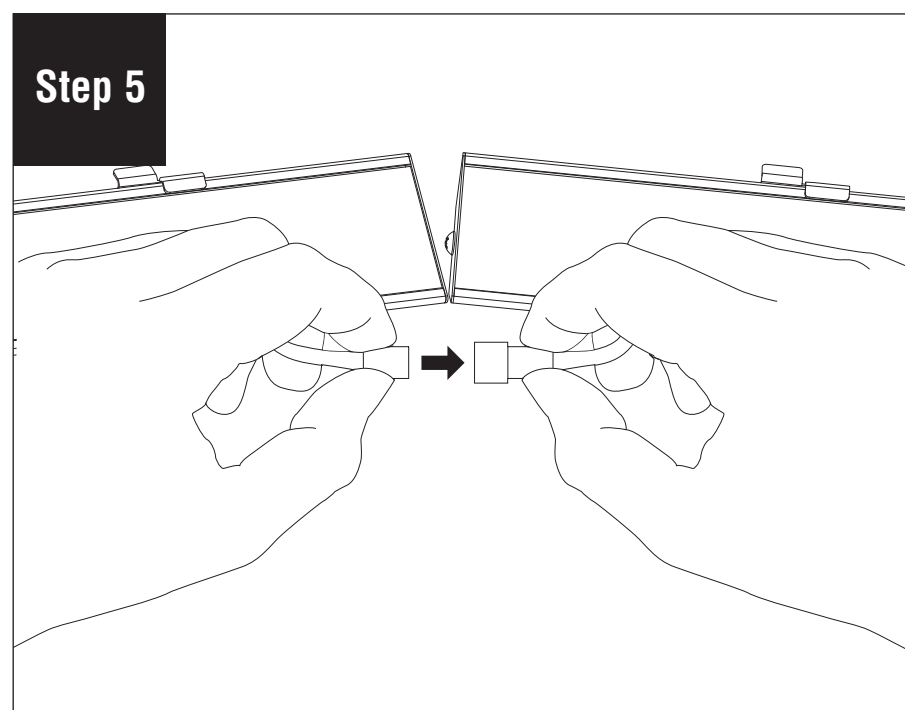
Step 2 Power feeds may be located on back or side of fixtures. Feed on back is standard.



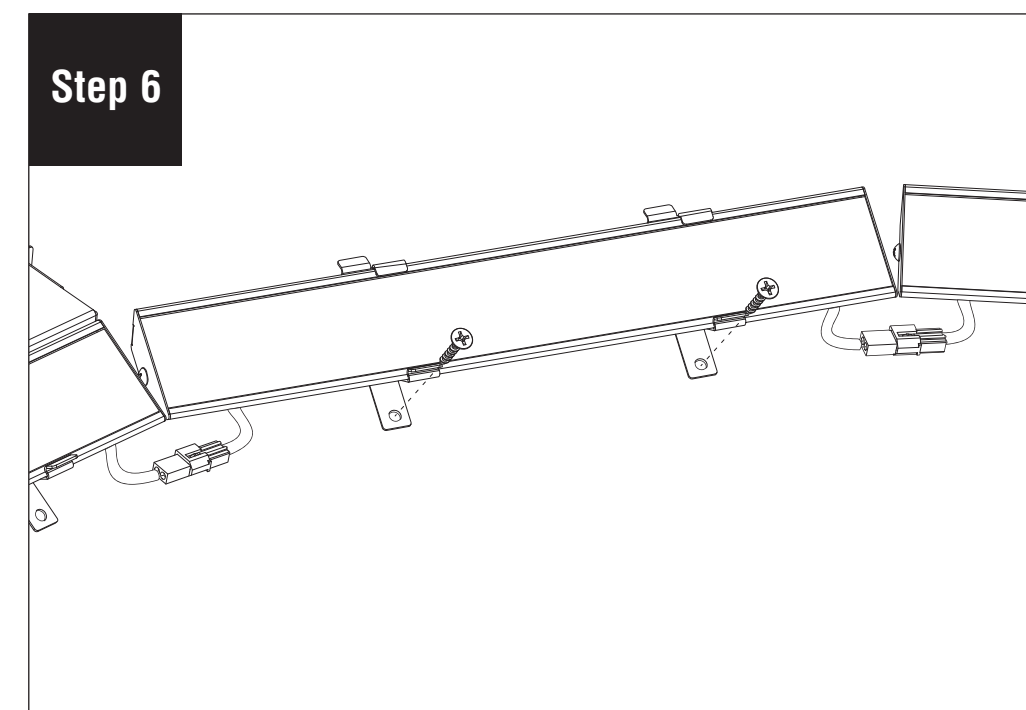
Step 3 Install Flex conduit feed with standard 1/2" trade size fitting in accordance to all NEC and local codes. Locate to the back of the fixture (or side). Connect fixture to power feed then push wires back inside the fixture. Continue wire connections for additional fixtures in run.



Step 4 Secure the starter section to cove using your own screws. Choose one of the three holes that are most convenient and give a secure hold (one screw each side).



Step 5 Plug together all of your fixture sections together, making sure the connections are secure.



Step 6 Once all of your fixture sections are in place, secure all of them using the mount tabs in front of the optical channels.