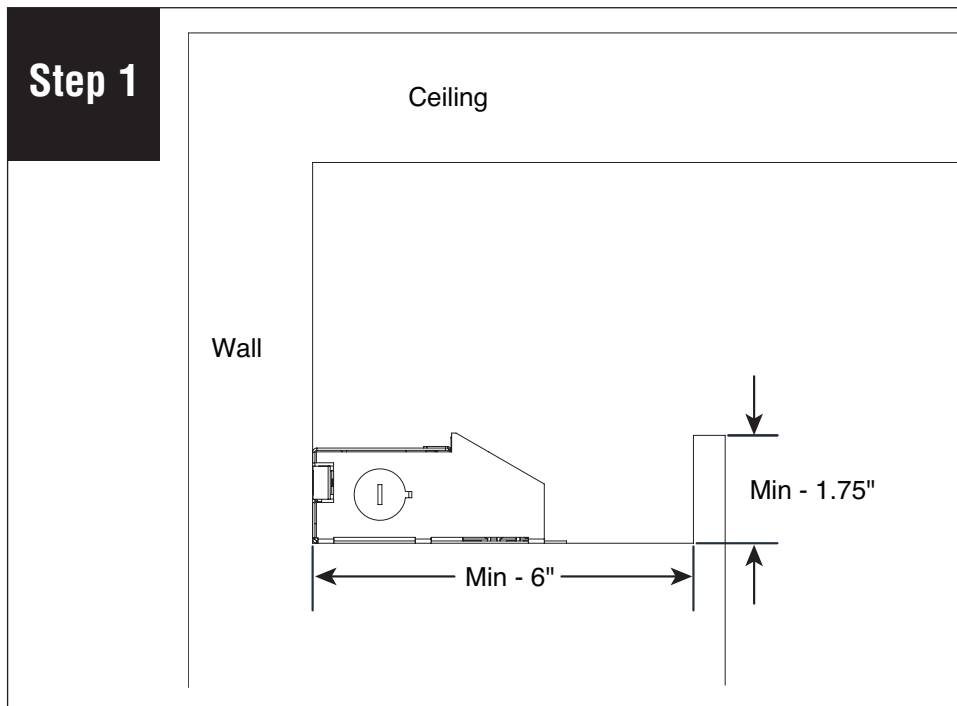
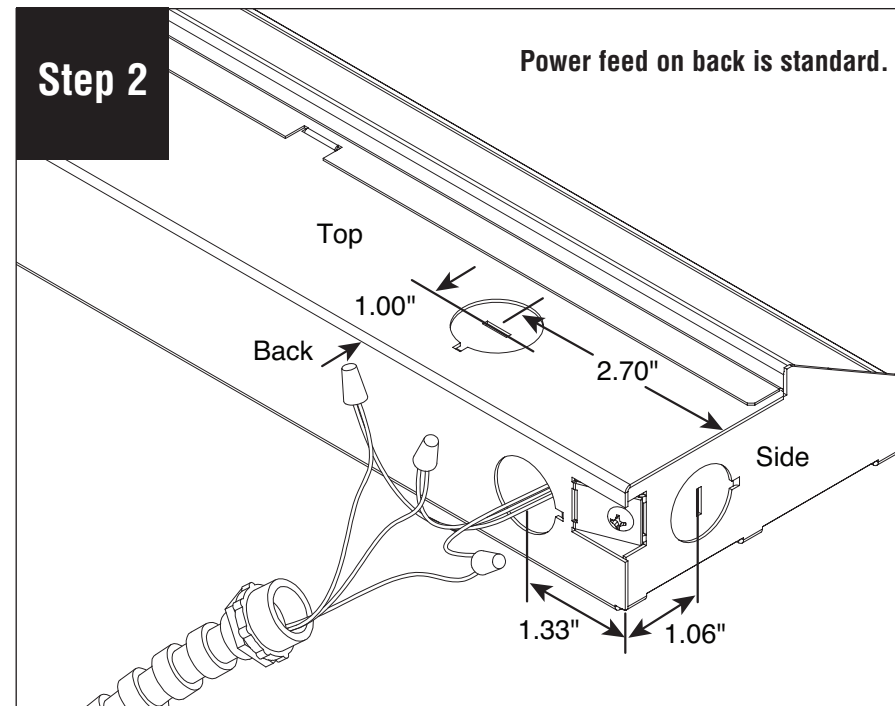


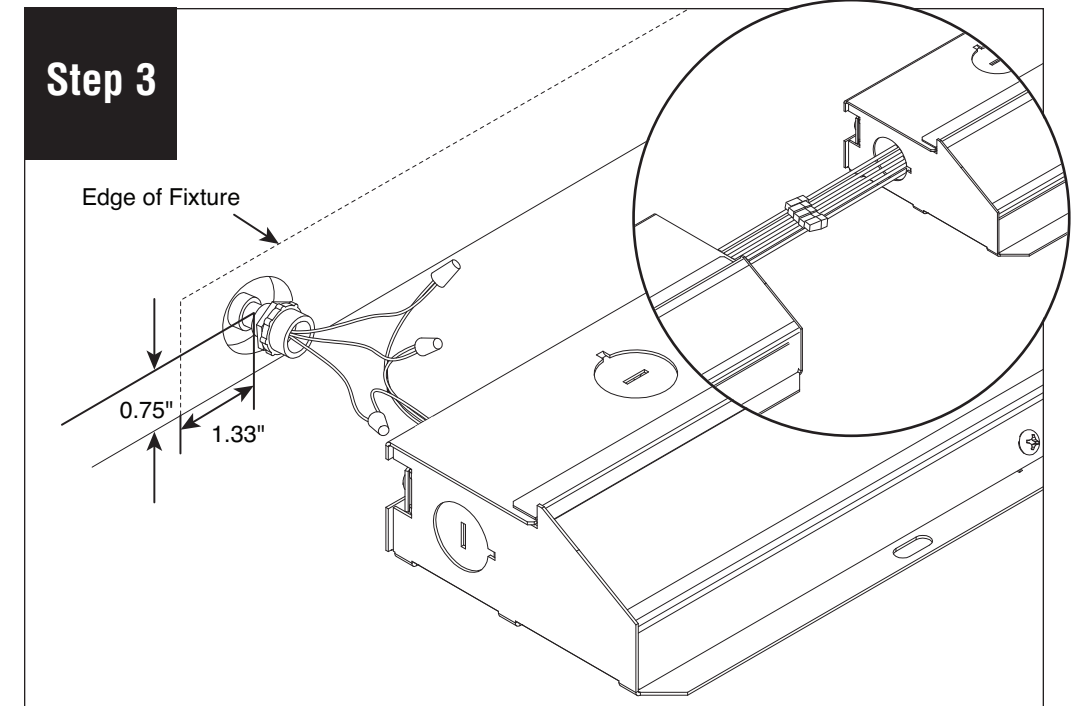
# Series 11 Micro Profile LED Starter/Joiner Installation Instructions



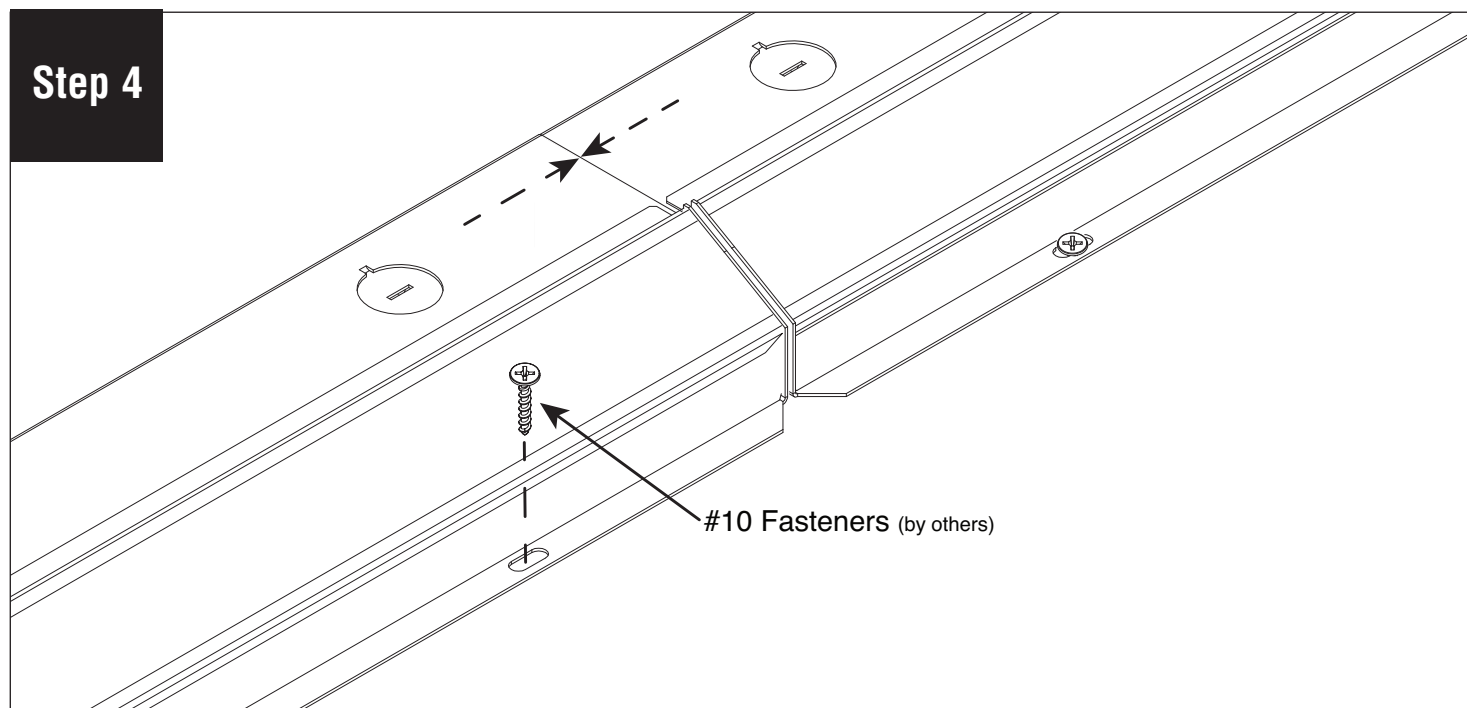
Create an architectural cove with a min. 6" x 1.75". Place fixture in cove.



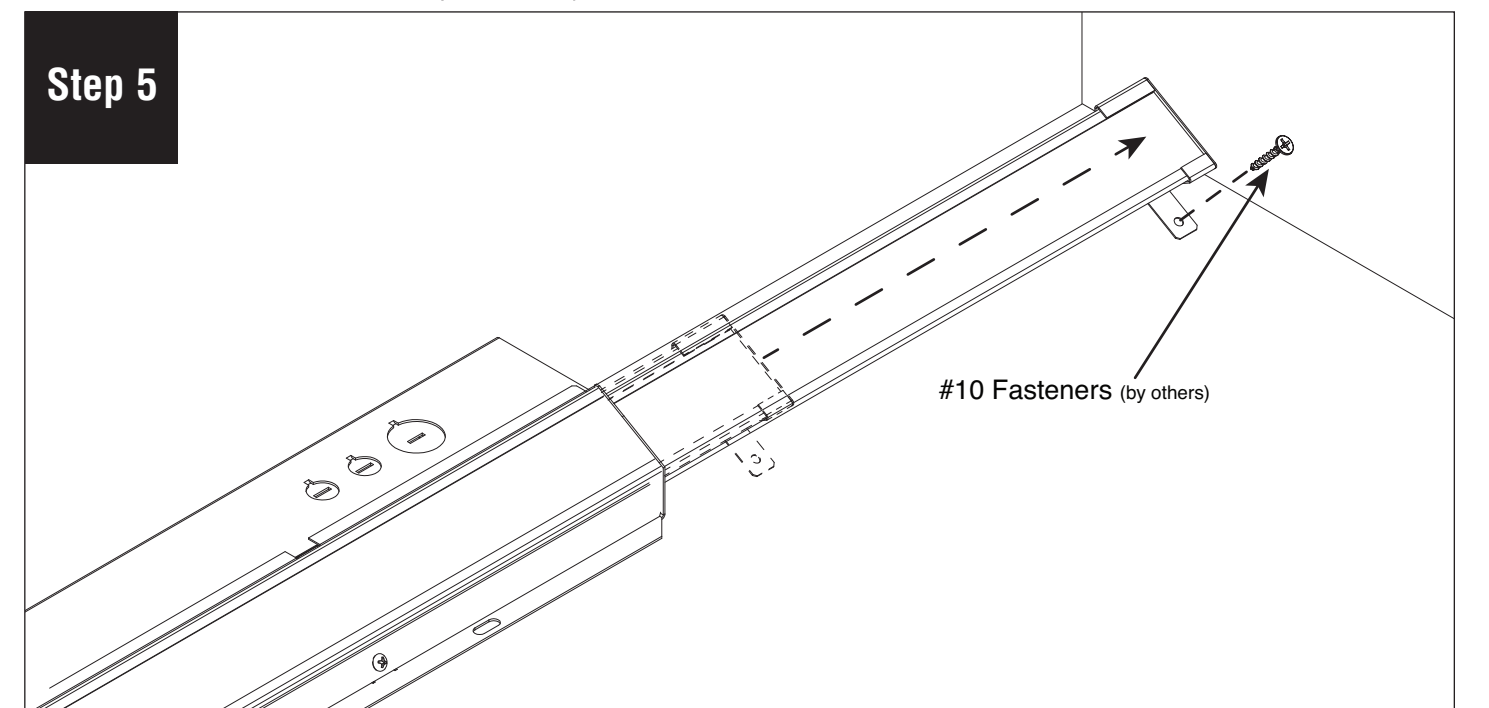
Power feeds may be located on top, back, or side of fixtures. Feed on back is standard.



Install Flex conduit feed with standard 1/2" trade size fitting in accordance to all NEC and local codes. Locate to the back of the fixture (or to the top or side). Connect fixture to power feed then push wires back inside the fixture. Use Push together connections provided to join additional fixtures in run.



Push fixtures together and secure them to structure with appropriate #10 fasteners by others.



If your fixture is equipped with a 12" telescoping end option, extend this section outward to fill the cove as needed. Secure this section also using an appropriate #10 fastener by others.