

High Performance Wall - LED 2', 4', 8' Drywall Frame Kit Instructions

Step 1 Slide frame rails onto the bracket.

Step 2 Repeat step 1 for all four corners, pushing the frame rails onto the brackets until they lock into place.

Step 3 Use proper backing, and cut out the dimensions as noted below for the 2', 4', or 8' HPW luminaire.

Step 4 Install drywall frame kit in ceiling. Fasten drywall frame kit to backing using proper fasteners through holes in the drywall frame kit.

Secure drywall frame kit with #10 screws:

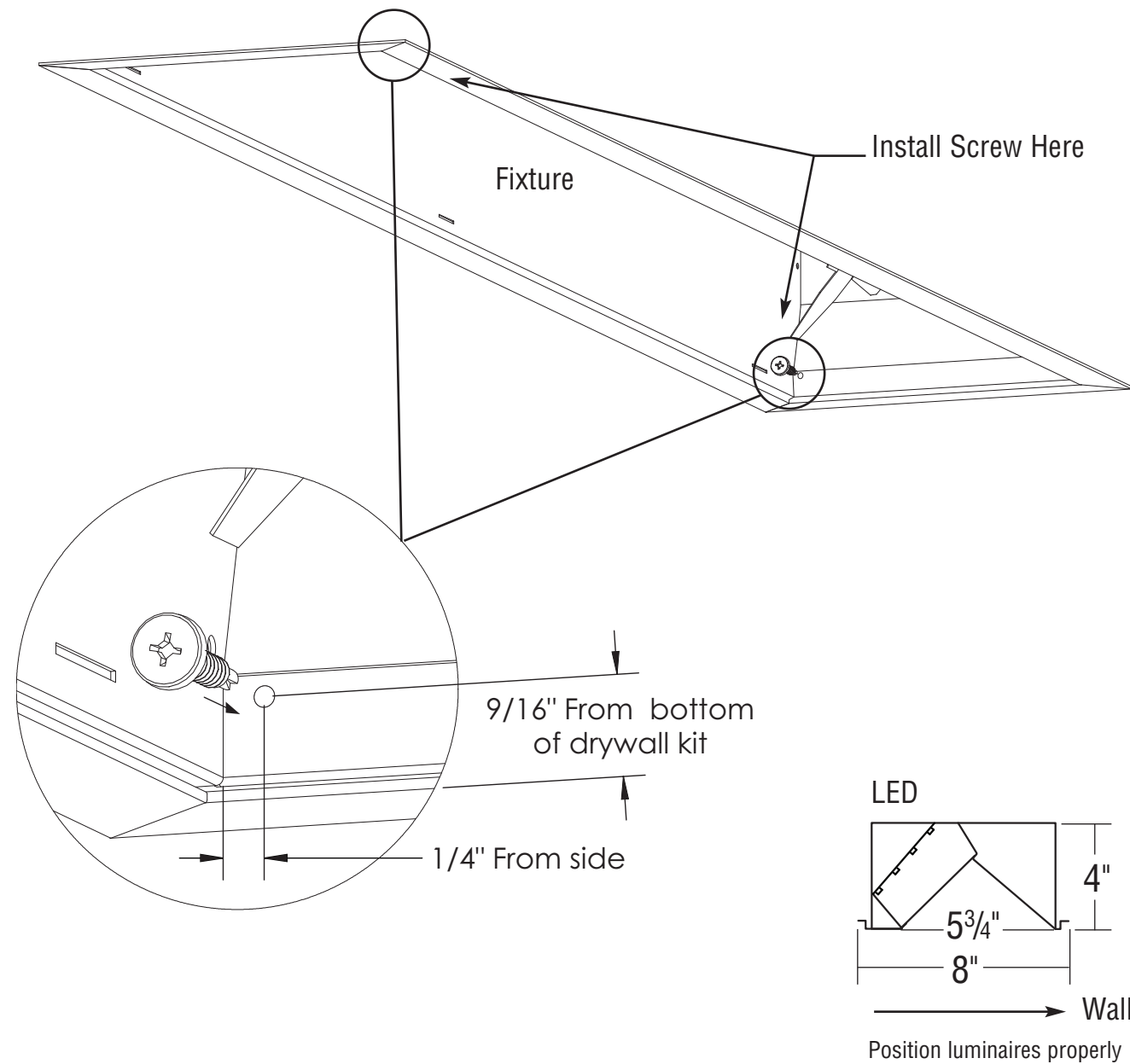
- HPW 2' - (3) #10 screws on each side (total 6)
- HPW 4' - (3) #10 screws on each side (total 6)
- HPW 8' - (5) #10 screws on each side (total 10)

(Installation for HPW-LED 4' fixture shown here) (Screws by others)

Step 5a Remove LED assembly **1** and reflector **2** before installing the fixture to the drywall frame. Orient luminaire toward wall as shown.

Step 5b Unplug the connection between LED boards and driver. Remove screws as indicated below. Carefully remove the LED assembly and reflector.

Step 6 Secure fixture to drywall frame kit.



Step 7 Reinstall reflector, LED assembly and lens.

