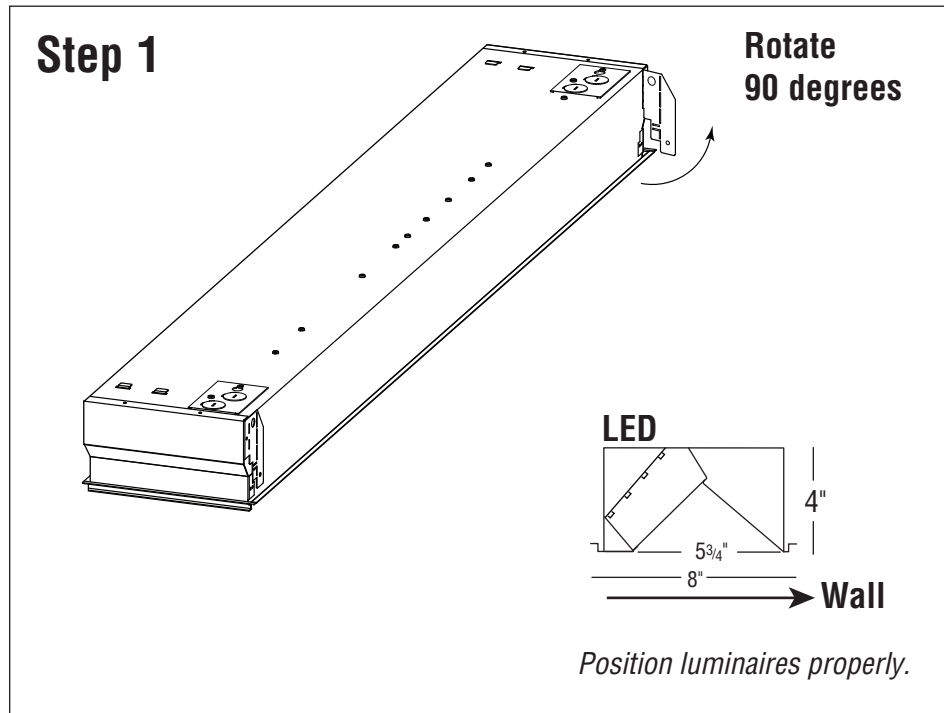
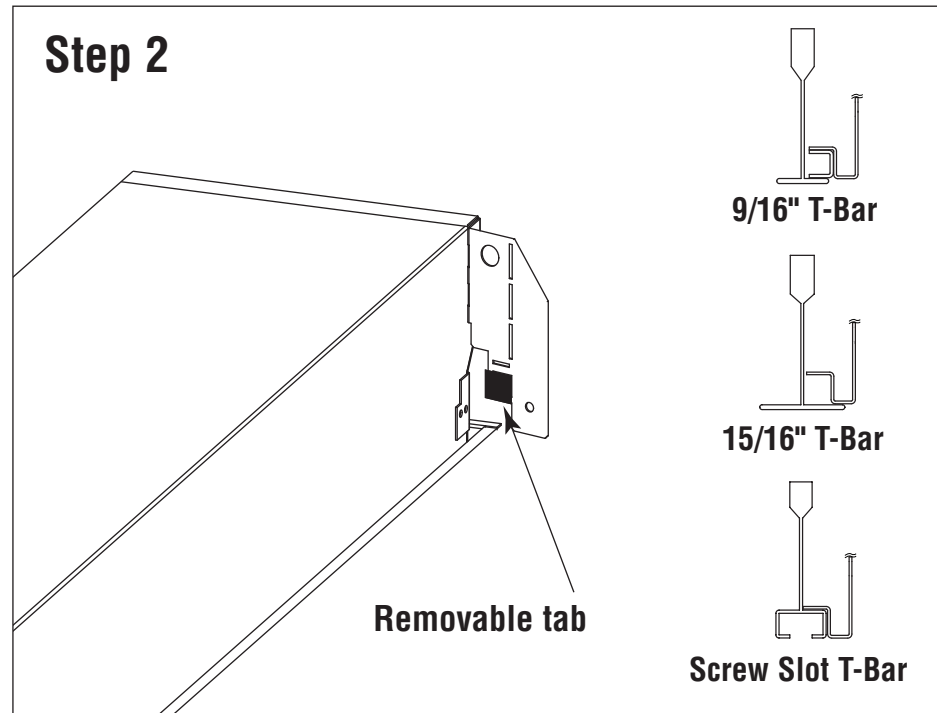


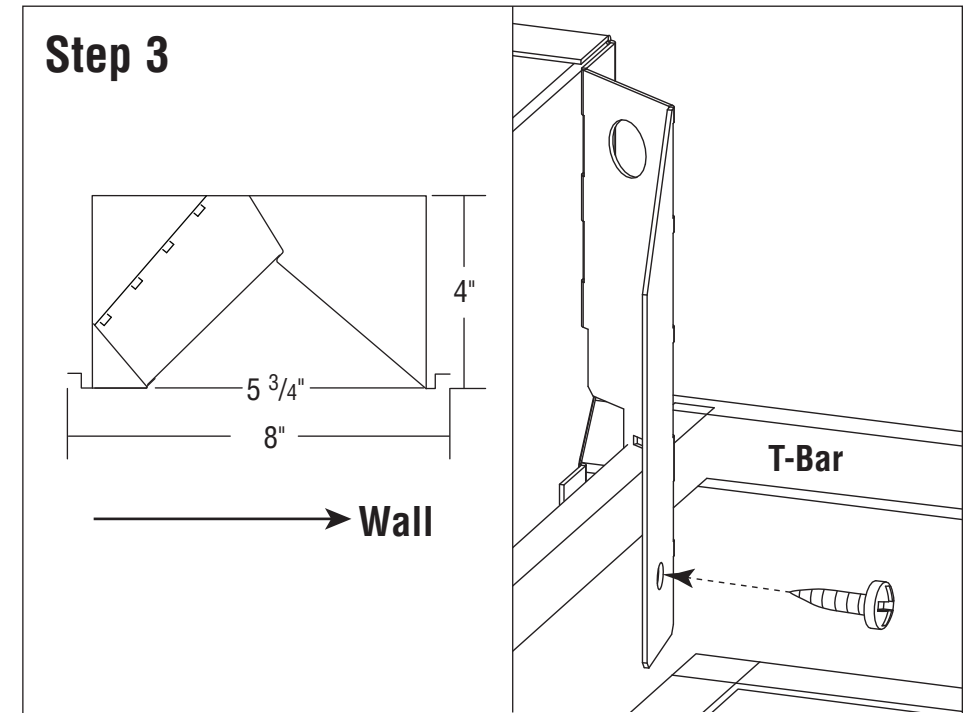
High Performance Wall (HPW-1) - Grid Ceiling



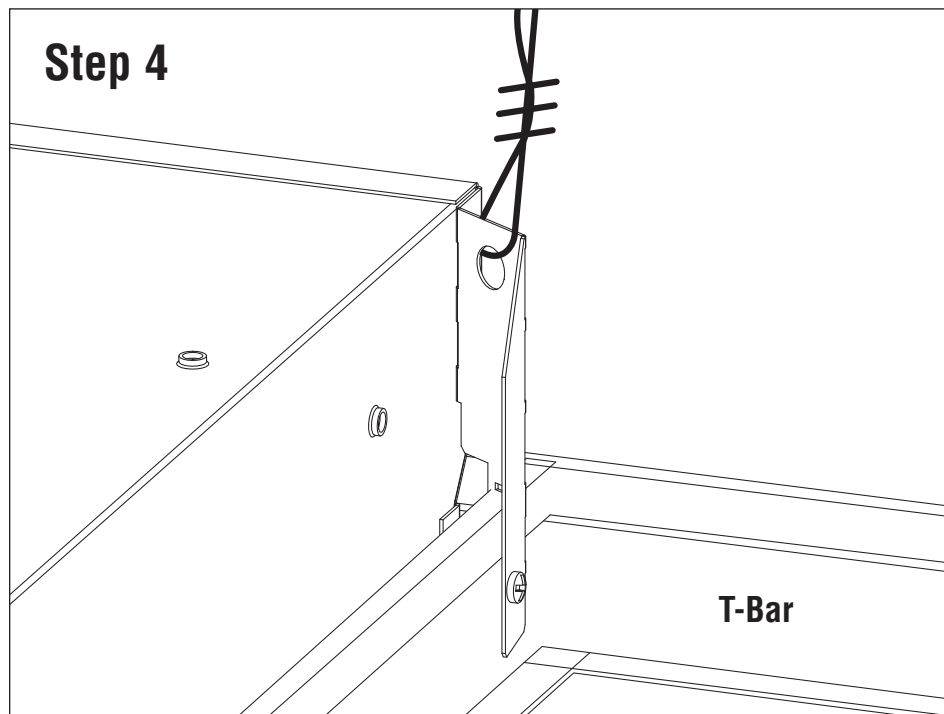
Prior to installation on T-Bar rotate the 4 tabs outward from the body 90 degrees.



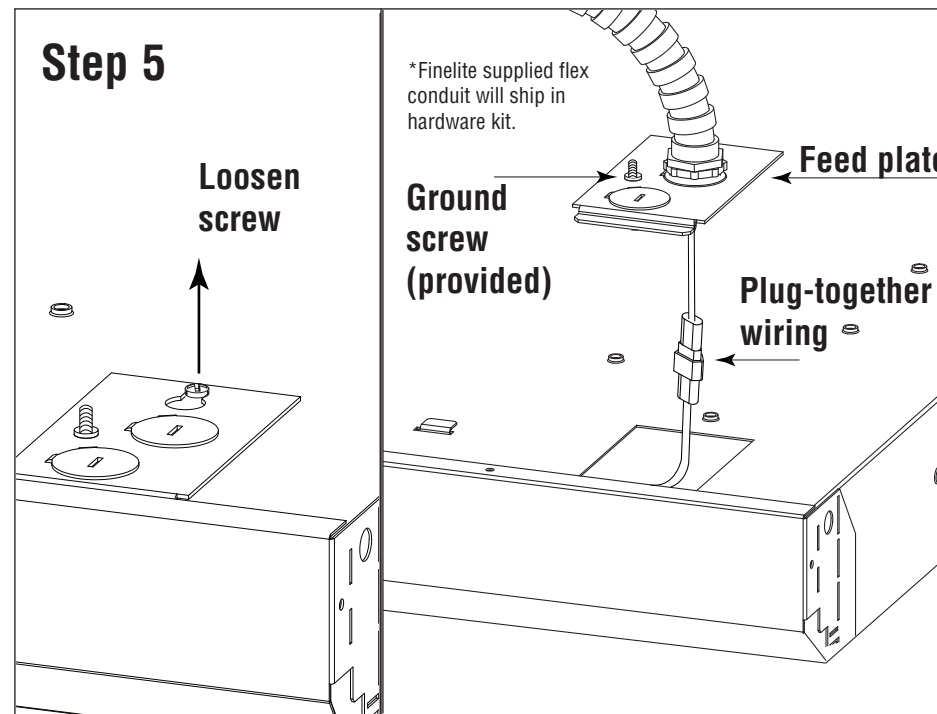
If needed, remove the tab to adjust clearance to fit proper T-Bar height.



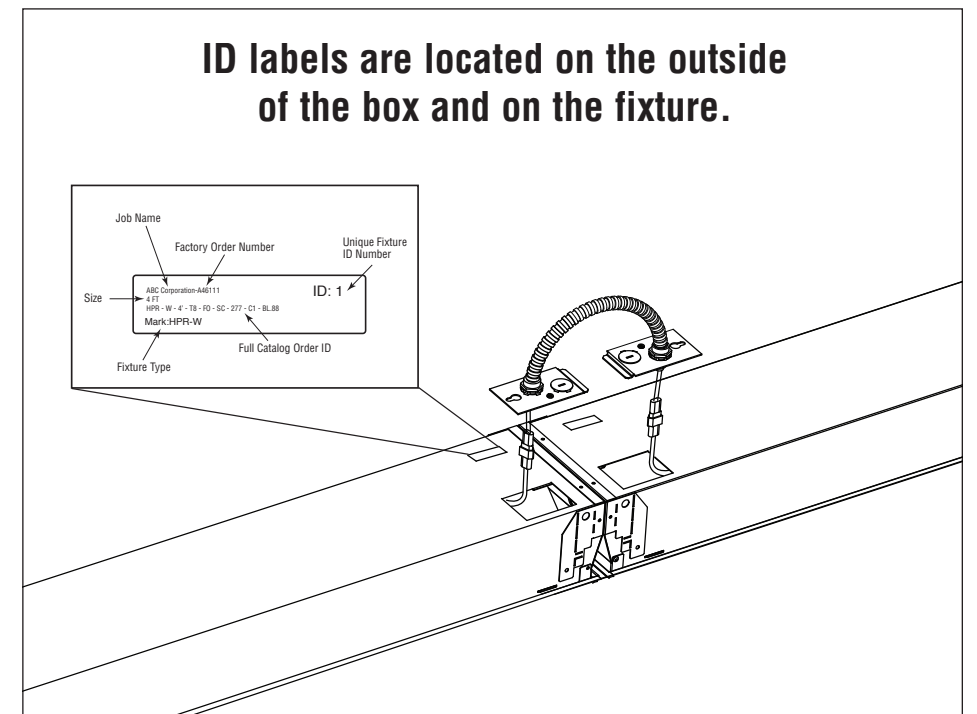
Orient luminaires toward wall as shown. Secure fixture to T-Bar with a #8-1/4" self-drilling sheet metal screw (supplied by others)



Secure fixture to structure using tie-wire (supplied by others) according to code.



Loosen feed plate screw, remove feed plate and make all electrical connections. Secure ground wire using provided screw, and secure plate back onto the fixture.



Use ID labels to join luminaires in sequence