

HPT 2x2 T-Bar Installation Instructions

Overview

NOTES

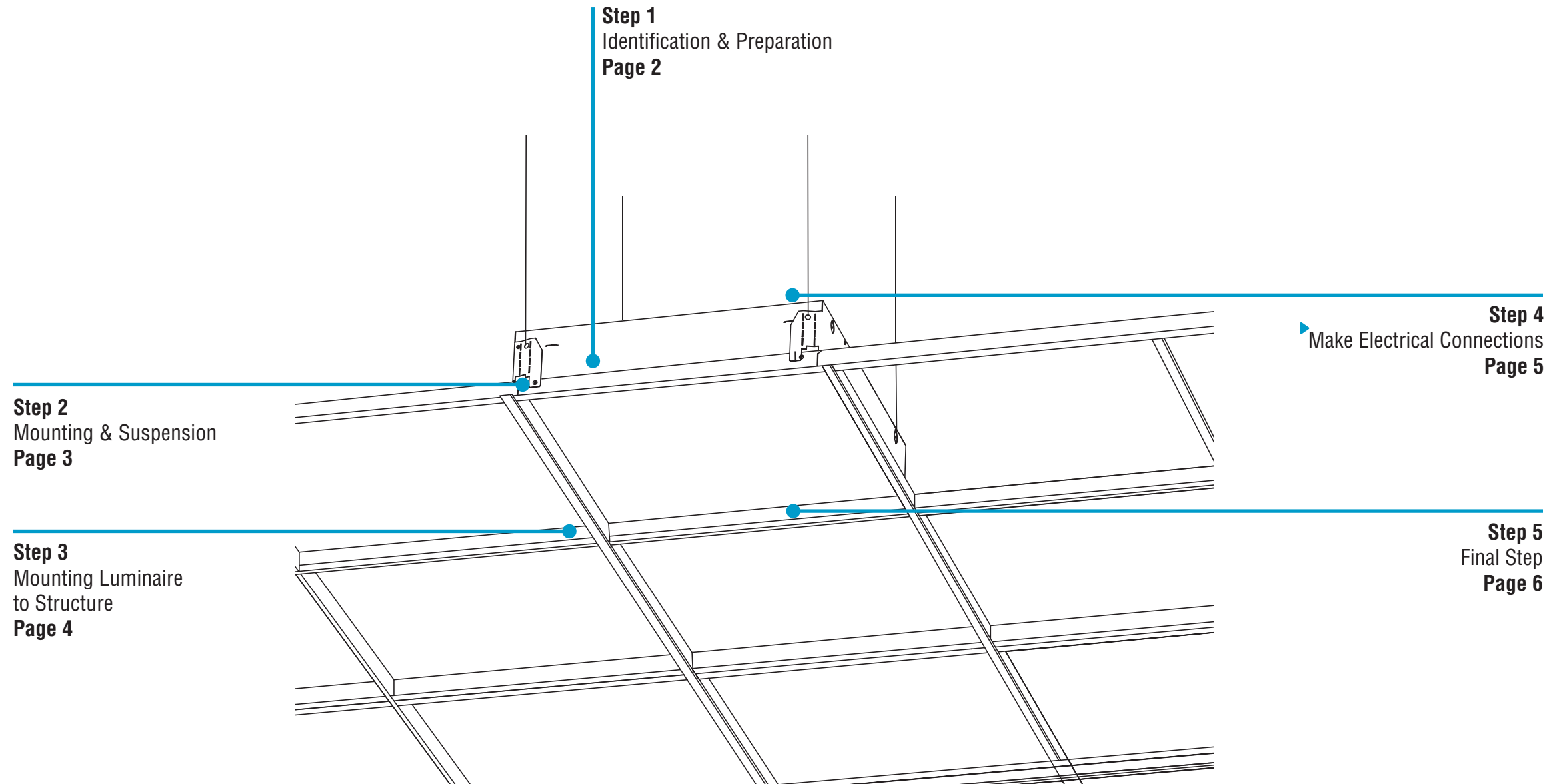
- All power connections should be installed according to local/national codes by a Certified Electrician.
- This installation requires **proper support** as each luminaire is being installed.



HELPFUL
VIDEOS



0-10V
Dimming



HPT 2x2 T-Bar Installation Instructions

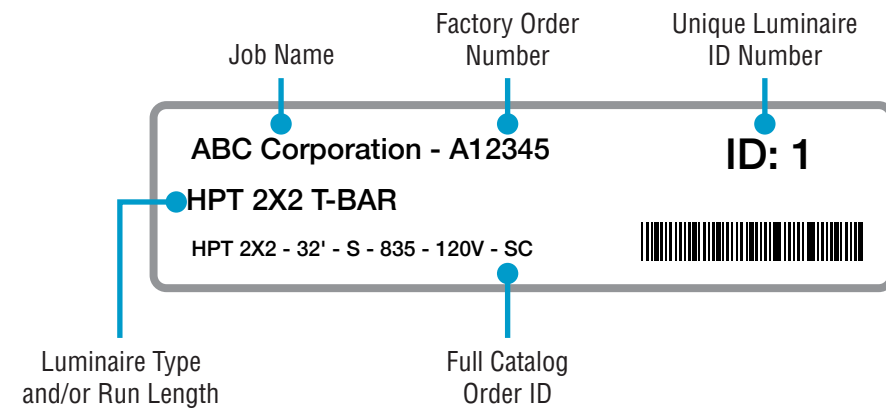
Step 1 - Identification & Preparation

Identify Luminaires



Arrange luminaires in order according to ID# at their install locations.

CAUTION



- Identify all luminaires by their ID label that can be found on the box, and inside the luminaire.
- **NOTE:** Exact location of labels in these areas may vary.
- Remove all luminaires from their box.
- Refer to Record Drawings that can be found in the hardware kit.

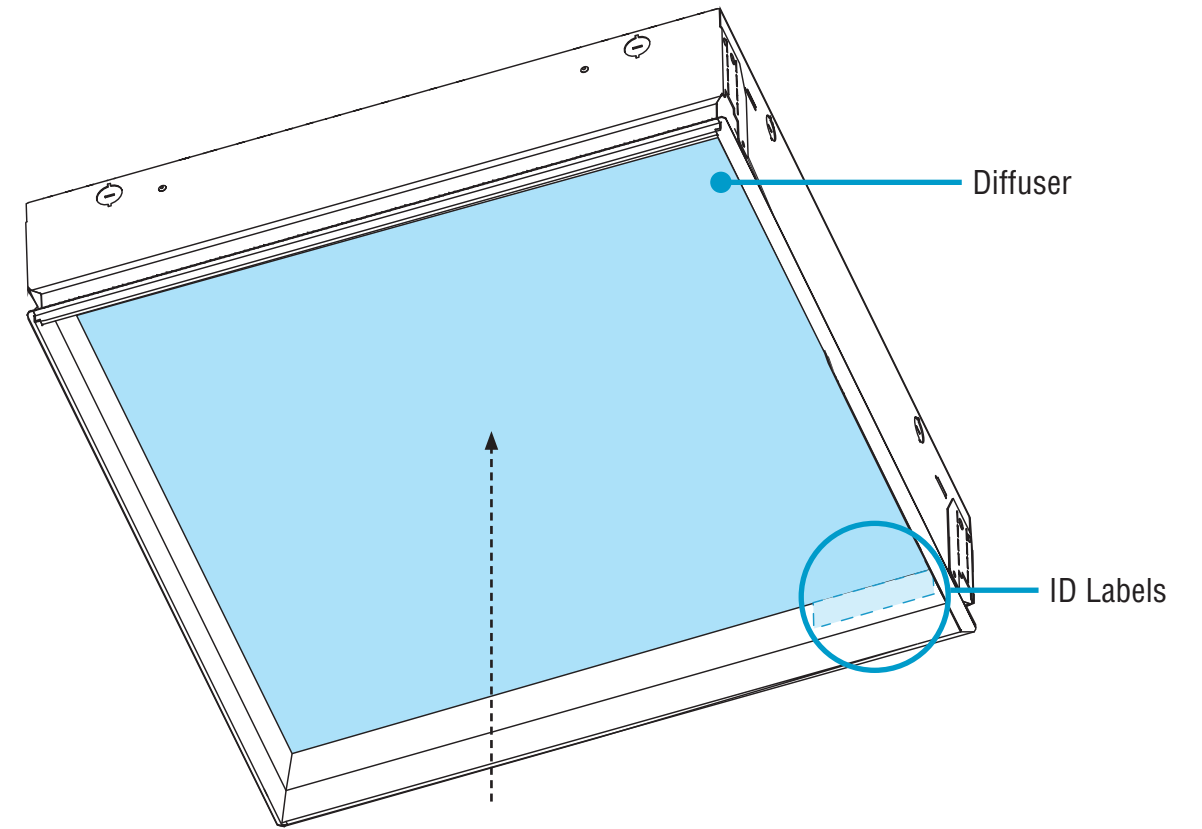
Kitted Hardware

- Finelite has provided items listed here, with their Finelite part numbers. These items can be found in separate boxes shipped with the luminaire.
- Account for all parts and set aside until they are needed.
- All other hardware needed for this installation will be by others.



#10 x 1/4" Self-Drilling Screw
Part# 94286
Mounting Luminaire to Structure
p. 4, Step 3

Locate ID Label



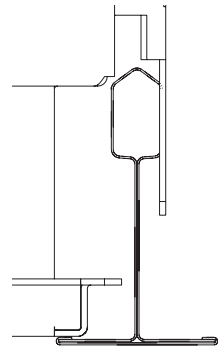
- Push up diffuser to located ID label inside luminaire

HPT 2x2 T-Bar Installation Instructions

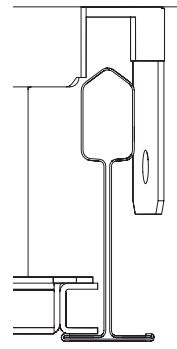
Step 2 - Mounting & Suspension

Mounting Options

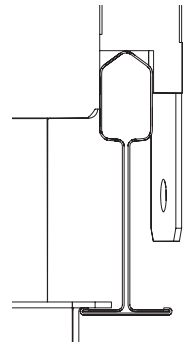
1" T-Bar (C1)



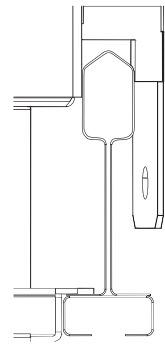
9/16" T-Bar (C2)



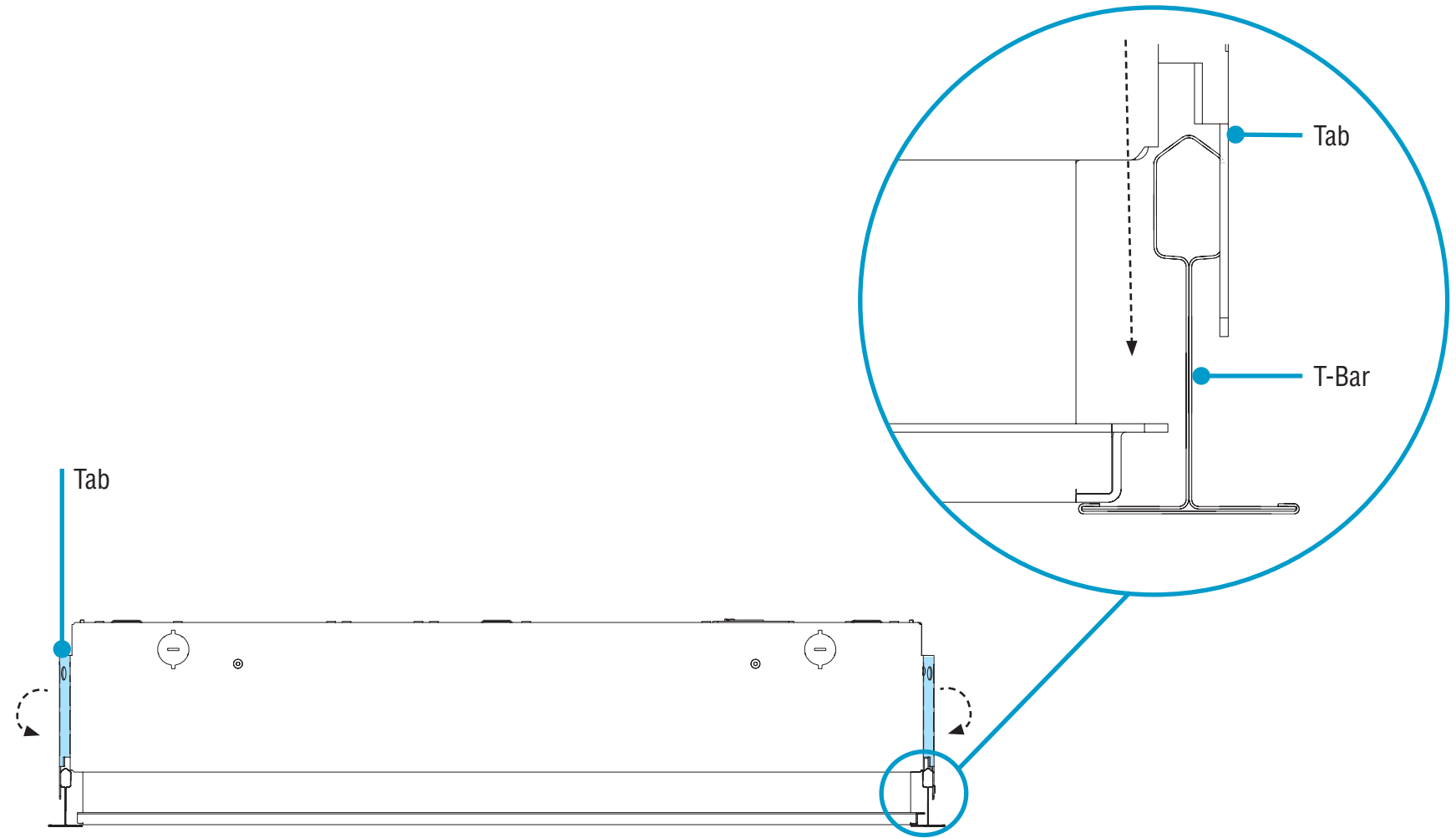
9/16" T-Bar Tegular (C2T)



Standard Screw Slot (C3)



Suspension Locations

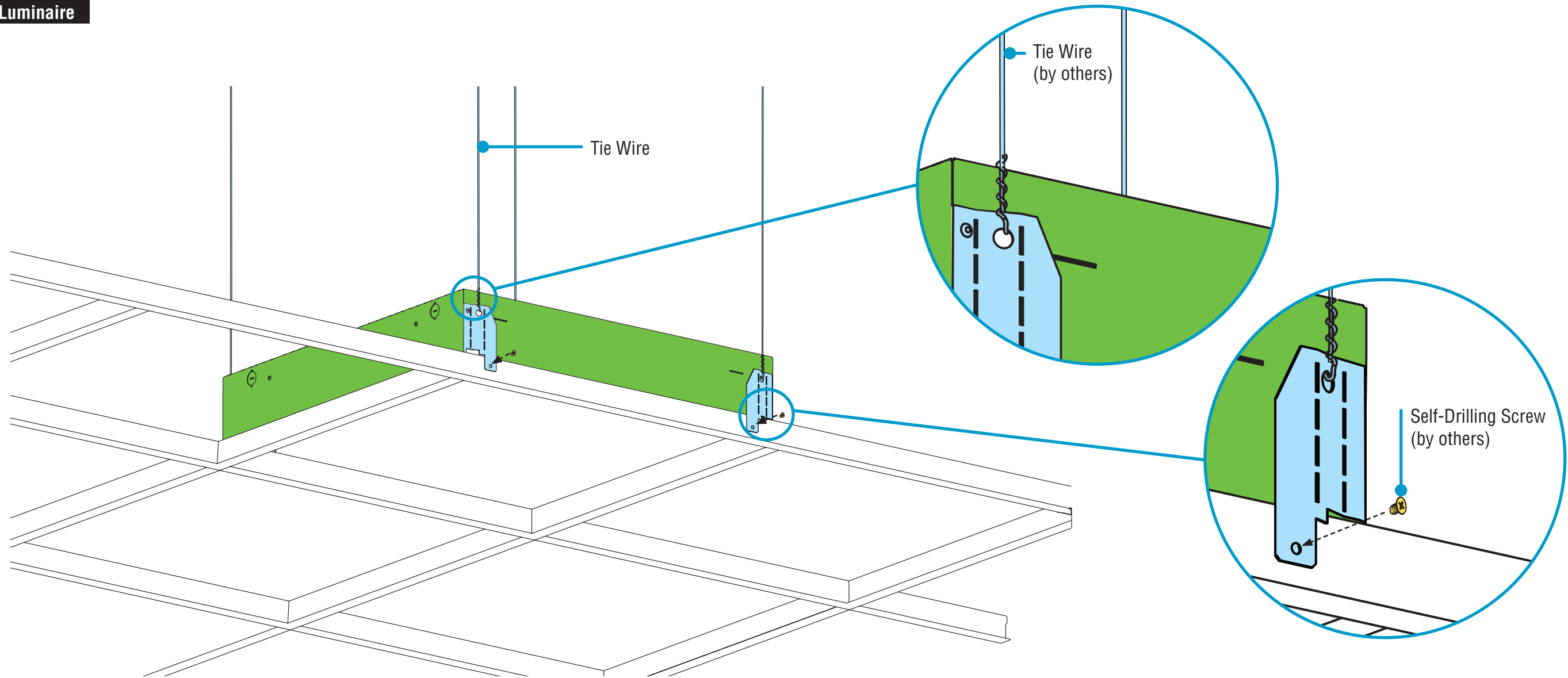


- Locate and fold out tabs on the side of the luminaire.

HPT 2x2 T-Bar Installation Instructions

Step 3 - Mounting Luminaire to Structure

Mounting Luminaire



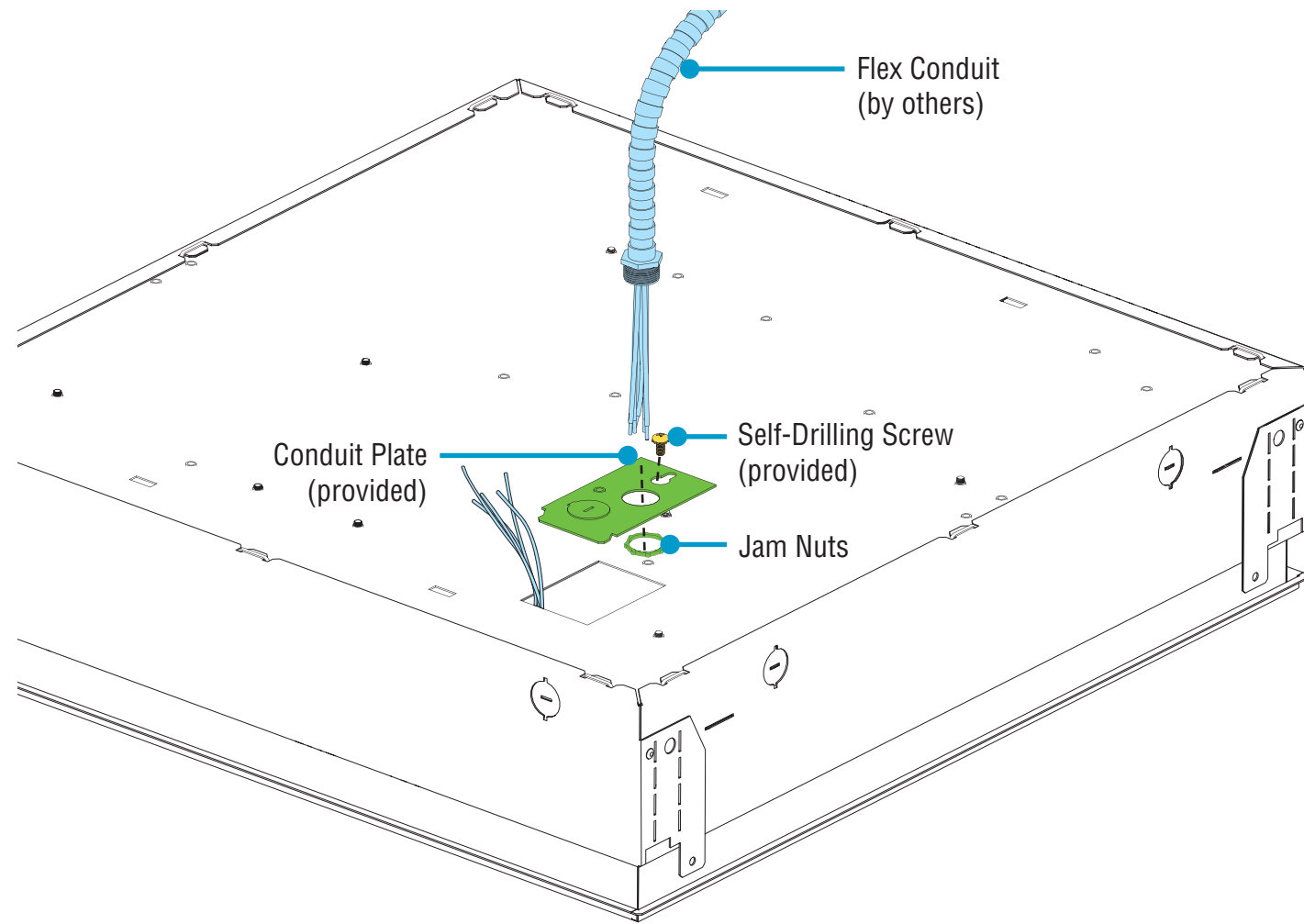
- Secure tabs to the T-Bar grids using the self drilling screws.
- Secure luminaire to building structure using tie-wires, as per code.

 #10 x 1/4" Self-Drilling Screw
(by others)

HPT 2x2 T-Bar Installation Instructions


Step 4 - Make Electrical Connections

A. Power Feed

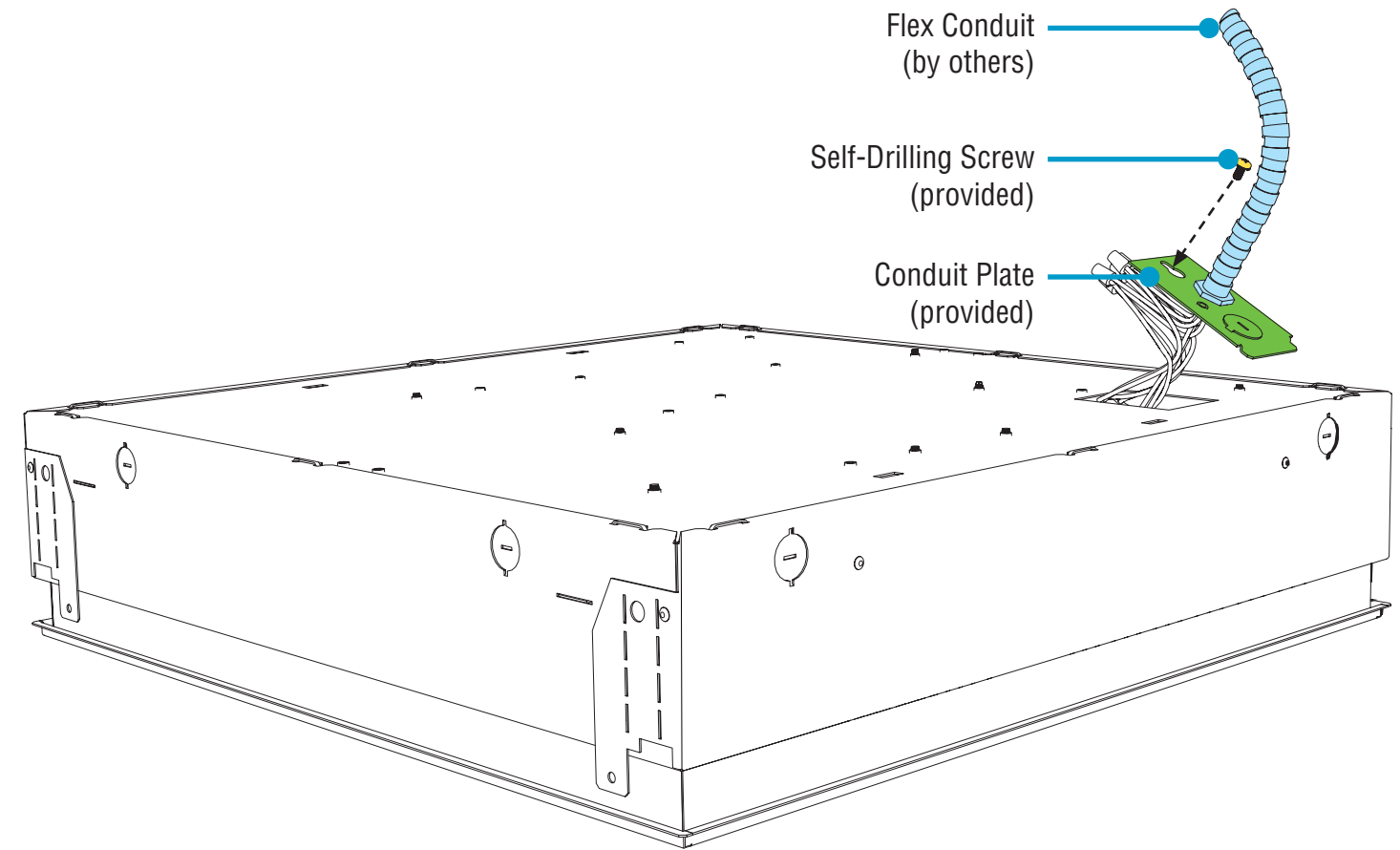


- Remove the conduit plate from the top of the luminaire.
- Connect all necessary wiring.
- Secure flex conduit to the conduit plate.

 #10 32 x 3/8" Self-Drilling Screw (provided)

 Flex Conduit (by others)

B. Reinstall Conduit Plate



- Reinstall the conduit plate by tucking the wires back into the luminaire and fasten the conduit plate back into place.

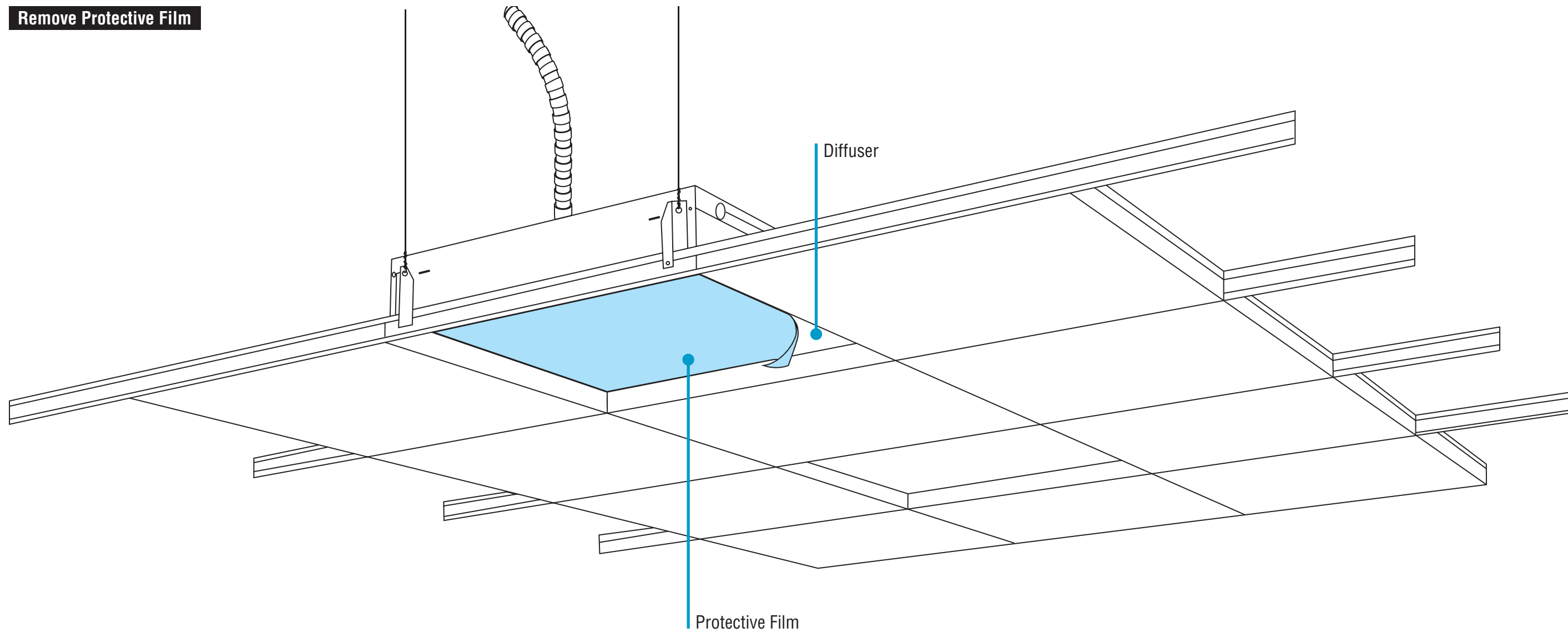


0-10V
Dimming

HPT 2x2 T-Bar Installation Instructions

Step 5 - Final Step

Remove Protective Film



- Remove protective film carefully.
- Turn power on to luminaire.