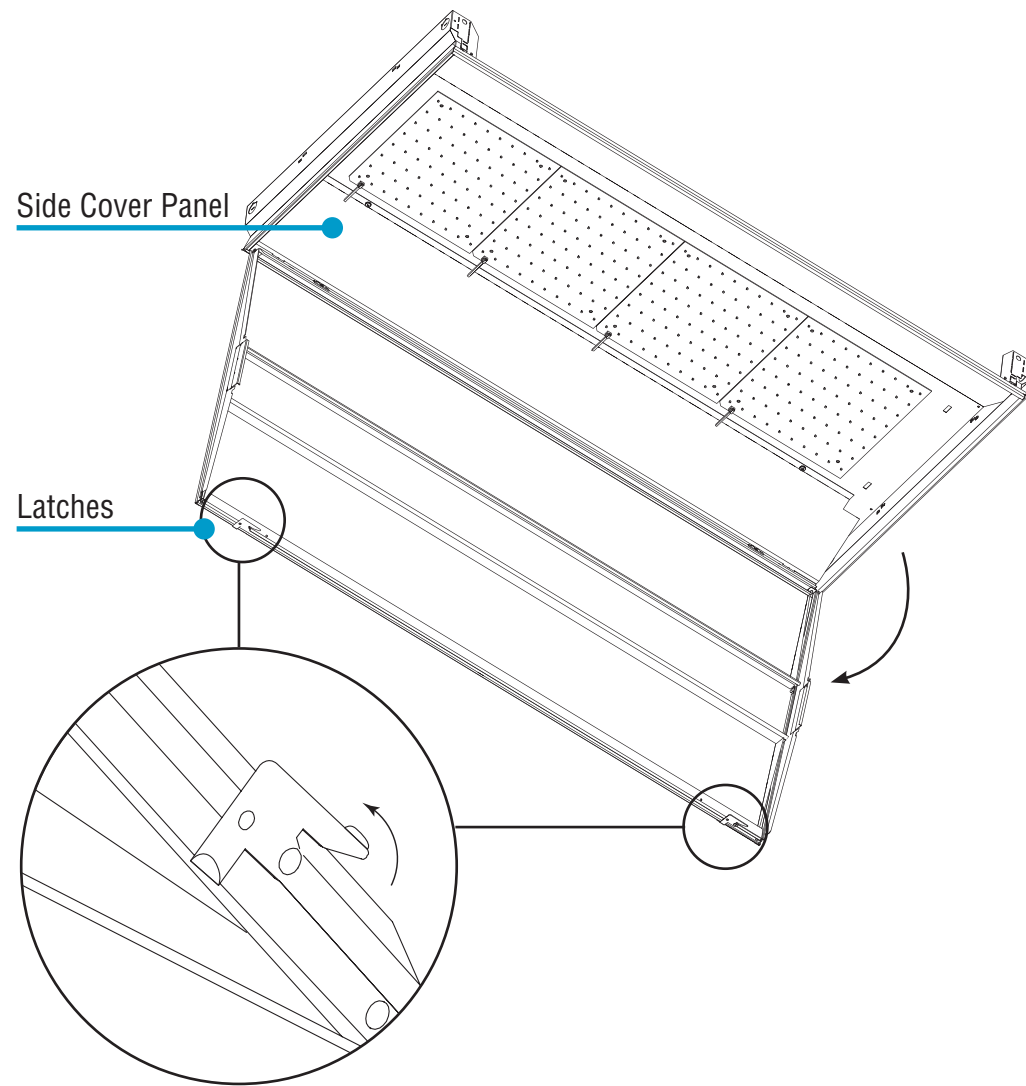


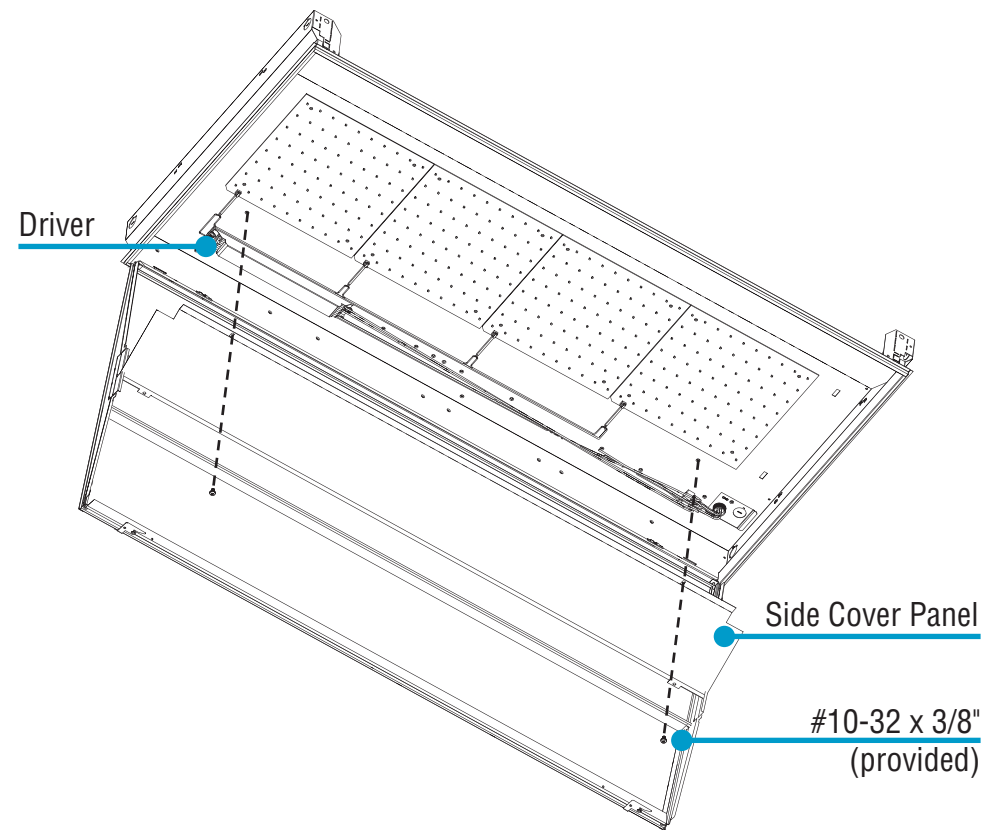
High Performance Recessed (HPR LED) Driver Replacement Installation Instructions - for both HPR LED and HPR LED-EP

A. Open Door Bottom View



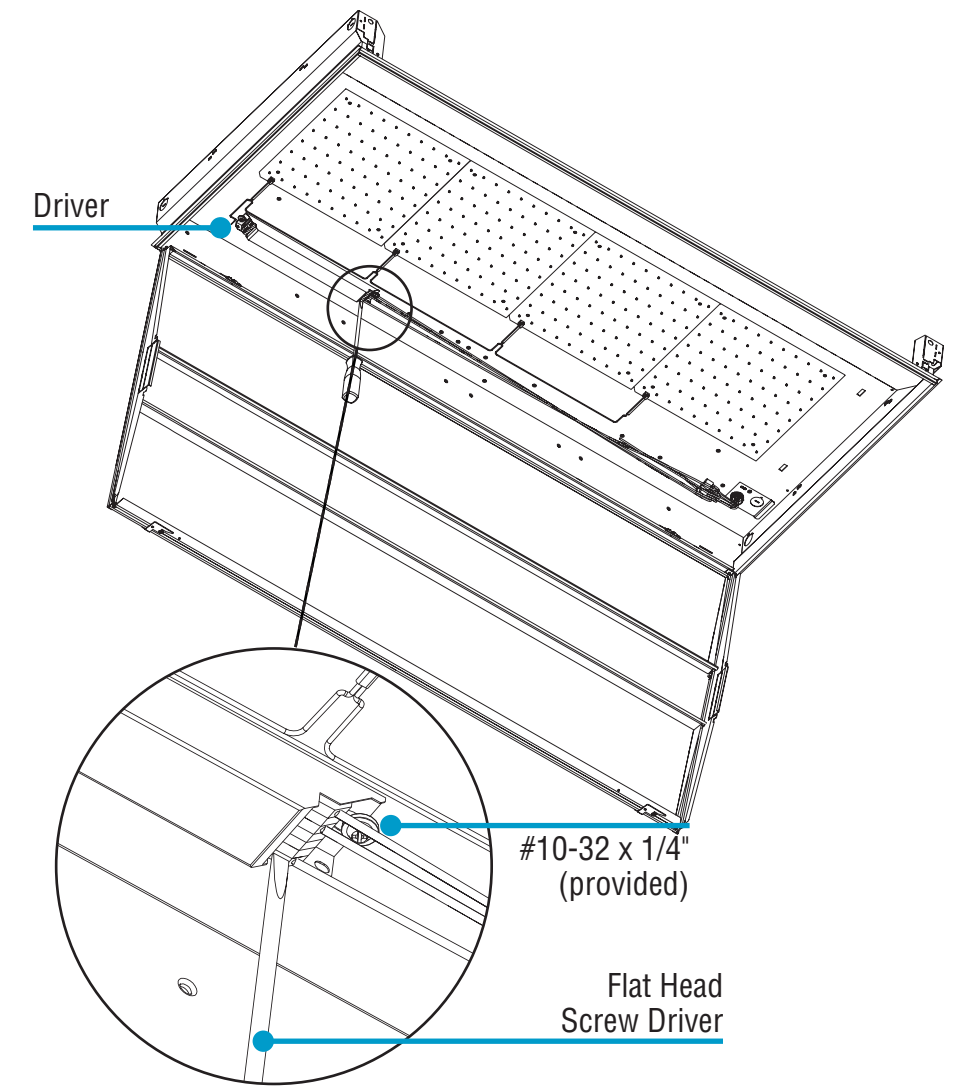
Same procedure for both HPR LED and HPR LED-EP. Disconnect power. Unlock the latches and rotate door to open.

B. Remove Side Cover Panel Bottom View



Remove (2) #10-32 x 3/8" screws from side cover panel.

C. Replace Driver Bottom View



Use flat head screw driver to push connector head from each terminal to release all wires from driver. Remove (2) #10-32 x 1/4" screws that secure the LED driver(s) and replace with new driver(s). Reverse steps to reassemble fixture.

