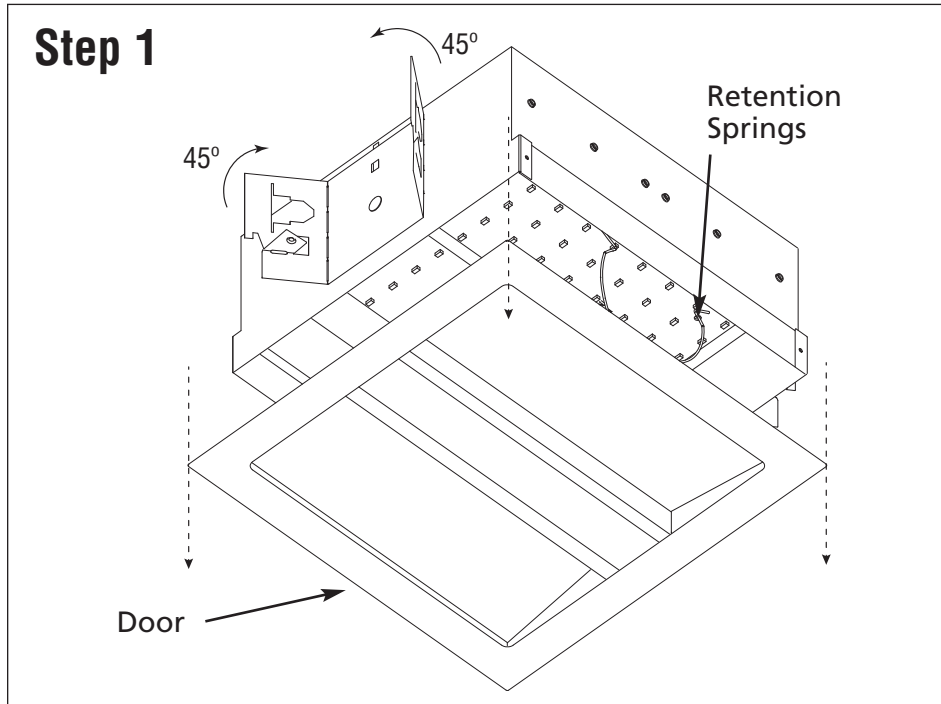
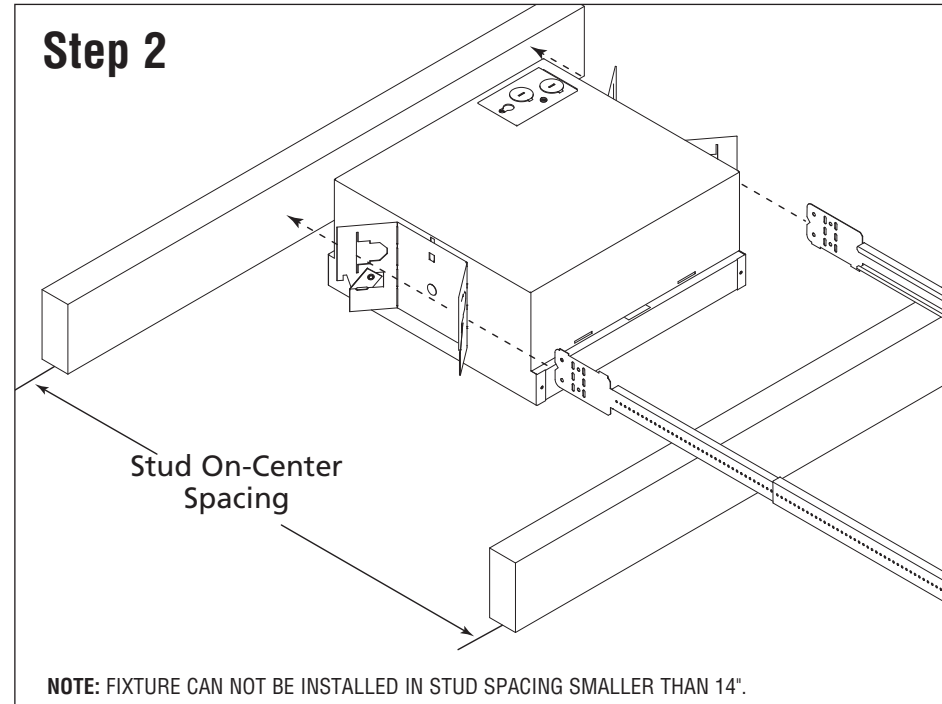


High Performance Recessed (HPR-LED) 1x1 Drywall Installation

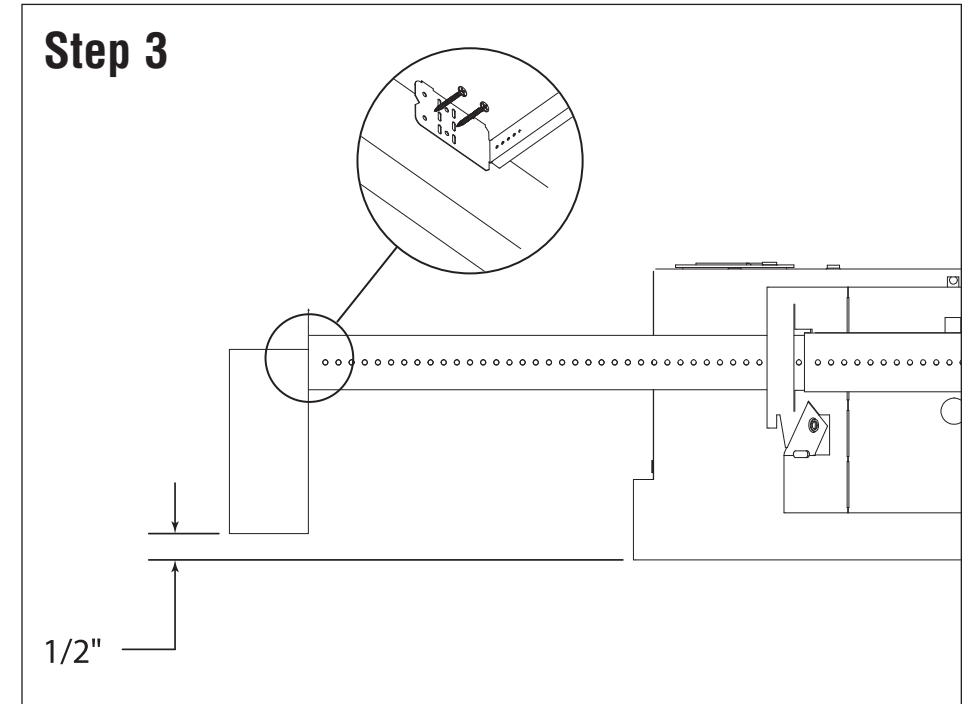


Remove the door by pulling straight down and then squeeze the retention springs until the door is released. Then bend the butterfly brackets about 45° on both sides.

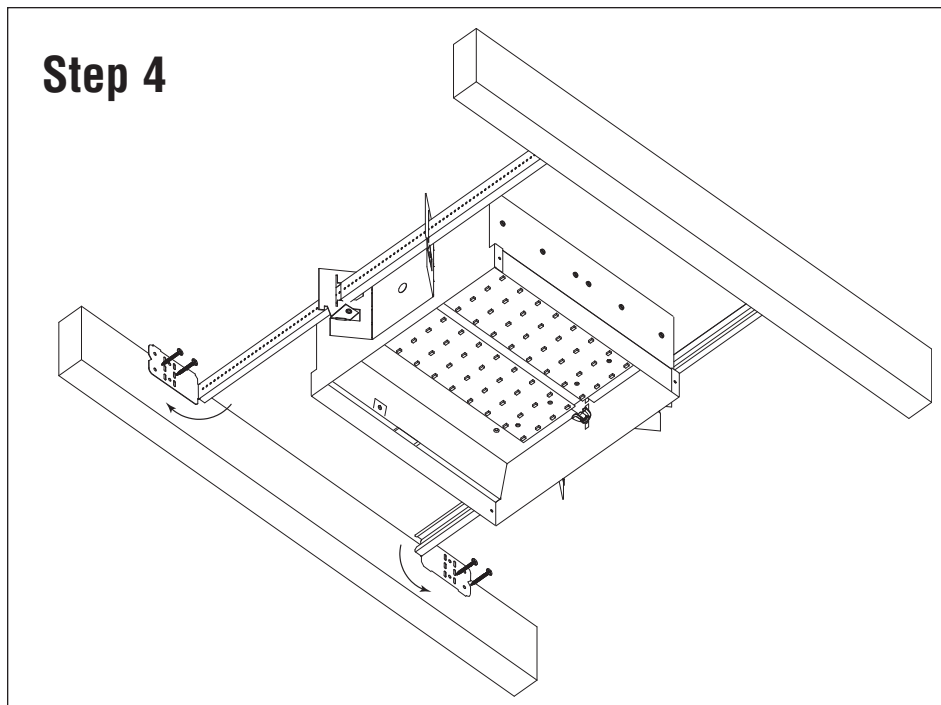


NOTE: FIXTURE CAN NOT BE INSTALLED IN STUD SPACING SMALLER THAN 14".

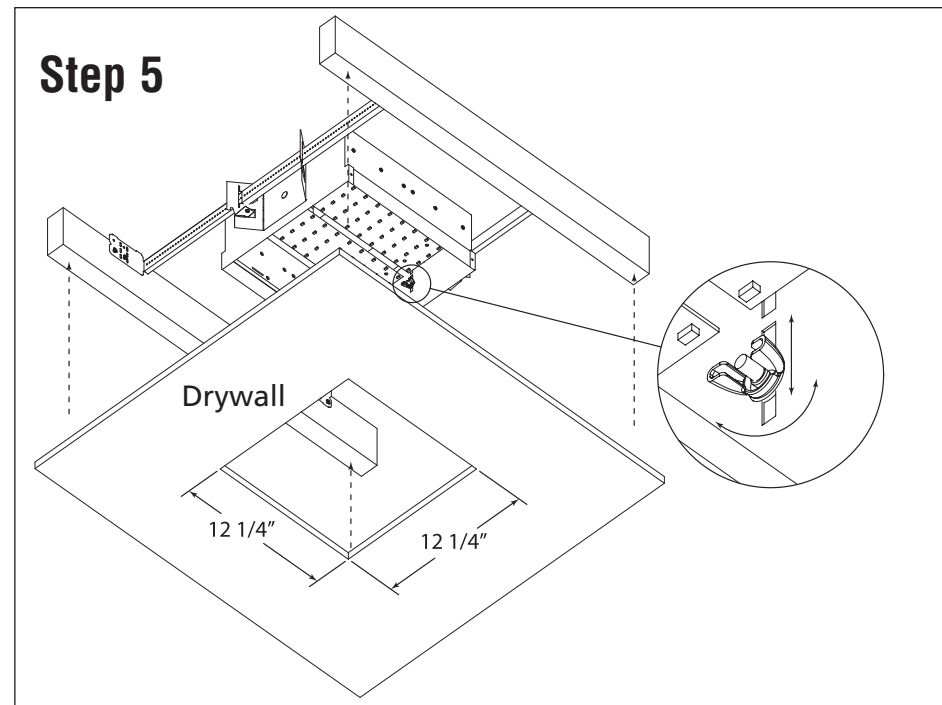
Measure the stud on-center spacing and choose: **A)** 14"-17" use Erico™ Caddy TSGB16 or equivalent or **B)** 17"-26" use Erico™ Caddy TSGB24 or equivalent. Insert the drywall bracket through the butterfly bracket.



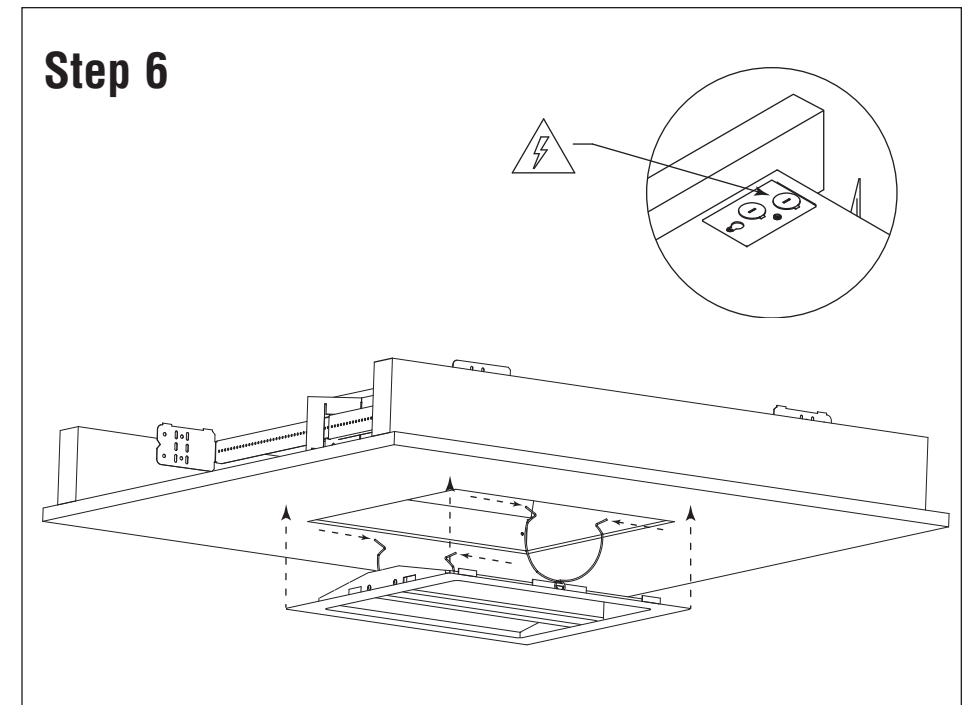
Bend the support bracket on both ends and align fixture so that it's 1/2" below the studs.



Use the appropriate fasteners to mount fixture to the structure. Use the 1-1/2" wood screws for wood joists recommended. Use (4) screws per drywall bracket.



Cut 12-1/4" x 12-1/4" square hole in drywall. Install drywall, making sure the cutout aligns with fixture. Adjust by using the wing nuts on the side if necessary. The bottom of the fixture should be flush with the drywall after installation.



Connect to power according to NEC and other local codes. Install the door by pressing retention springs to align with cutout on the body. Press the door into place. If there are light leaks or gaps, go back to **Step 5** to adjust the housing.