

# HP-2 / HP-4 Wall Wash LED Engine Replacement Instructions

## Overview

### NOTES

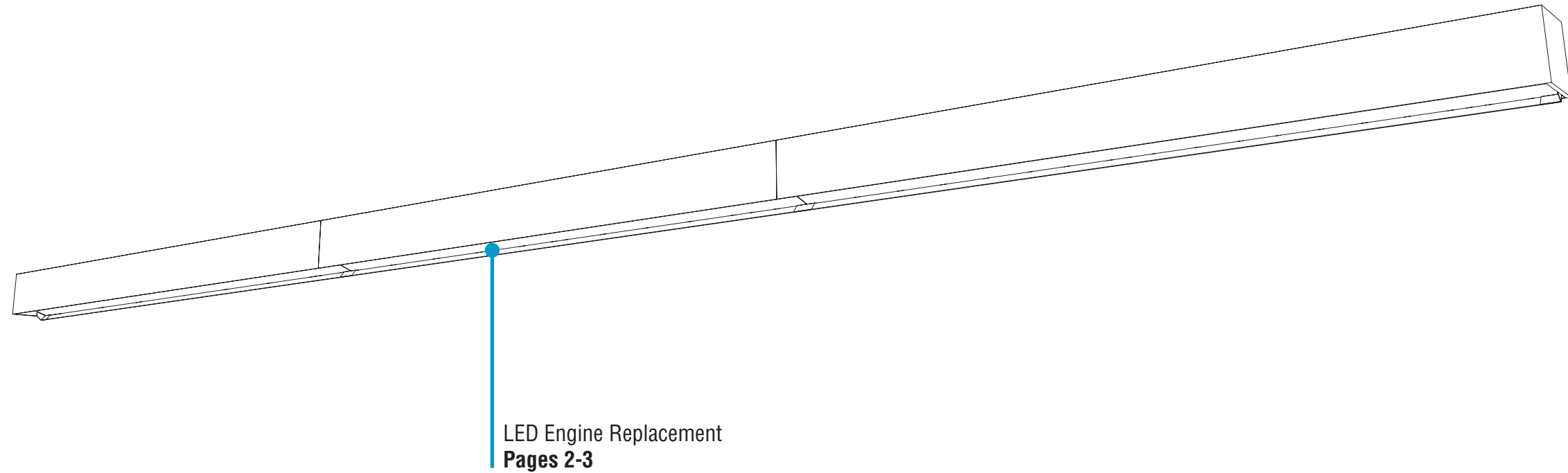
- All power connections should be installed according to local/national codes by a Certified Electrician.
- This installation requires **proper support** as each luminaire is being installed.
- **DO NOT attempt to join luminaires together on the floor.** Damage may result when lifted.



HELPFUL  
VIDEOS



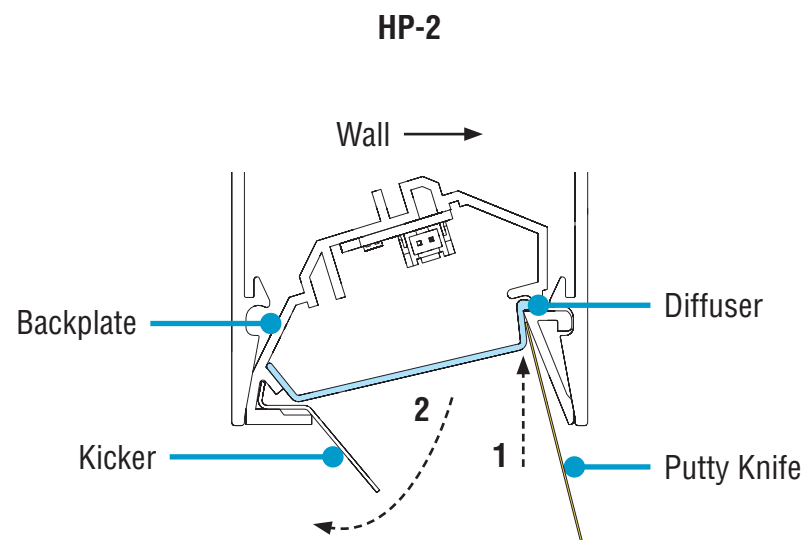
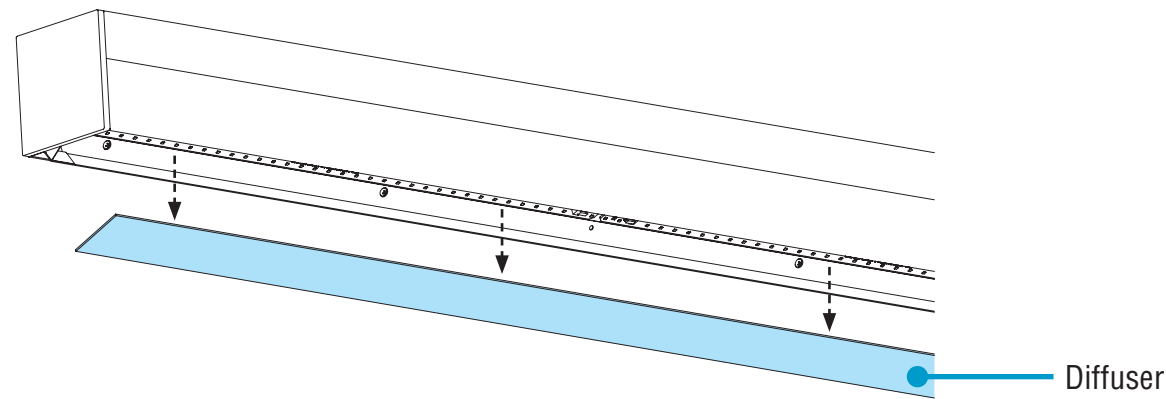
LED Engine  
Replacement



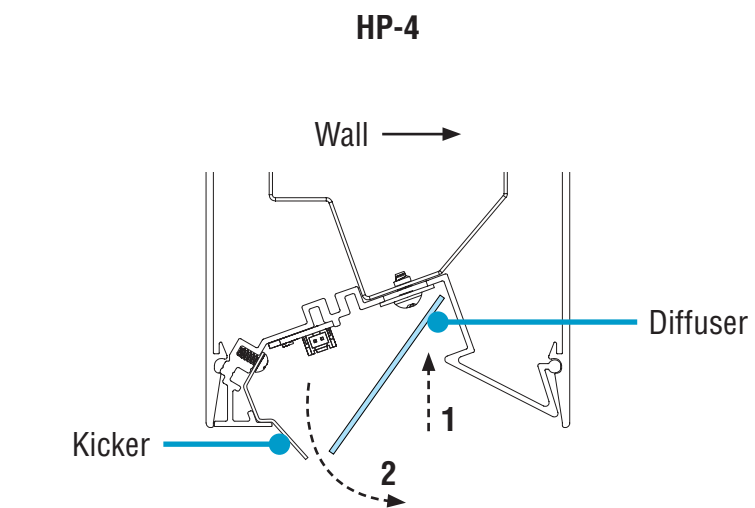
# HP-2 / HP-4 Wall Wash LED Engine Replacement Instructions

## Step 1 - Opening Luminaires

### A. Remove Diffuser

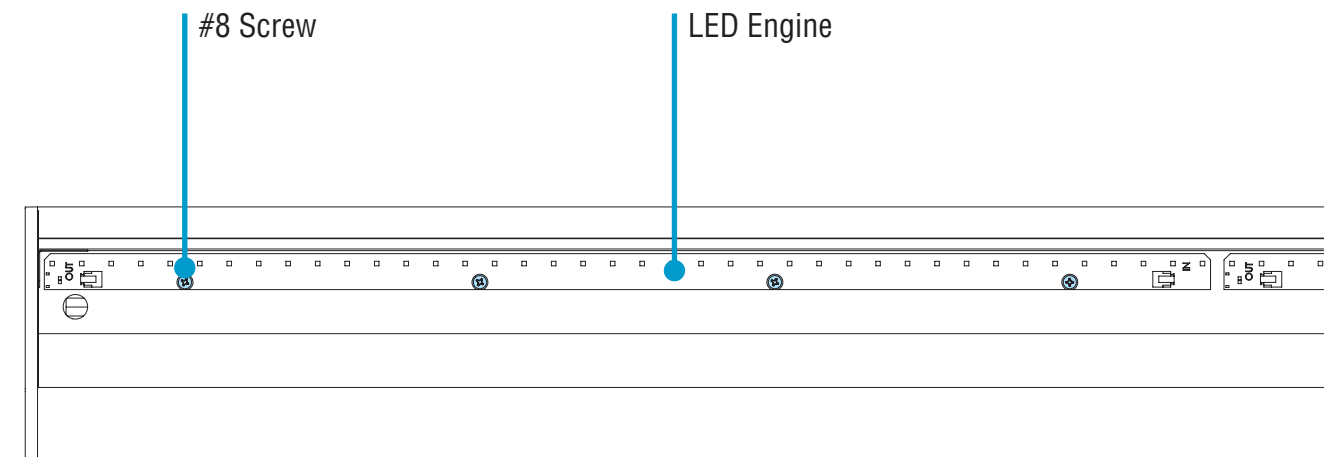


- Turn power off to luminaire.
- **1.** Slide putty knife between the backplate and diffuser.
- **2.** Carefully separate diffuser from backplate.
- Carefully remove all diffusers.
- Set aside all diffusers to prevent from getting dirty or damaged.
- Ensure diffuser can be clearly identified back to corresponding luminaire.



- Turn power off to luminaire.
- **1.** Push bottom edge of the diffuser into backplate.
- **2.** Slide diffuser out of backplate.
- Carefully remove all diffusers.
- Set aside all diffusers to prevent from getting dirty or damaged.
- Ensure diffuser can be clearly identified back to corresponding luminaire.

### B. Remove Screws

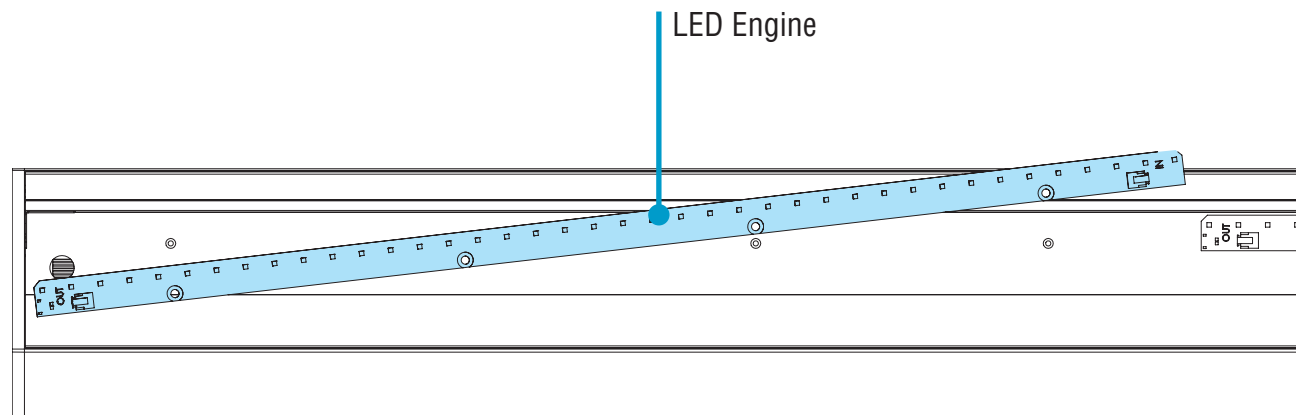


- Disconnect harness and shunt from LED engine.
- Remove all #8 screws from LED engine.

# HP-2 / HP-4 Wall Wash LED Engine Replacement Instructions

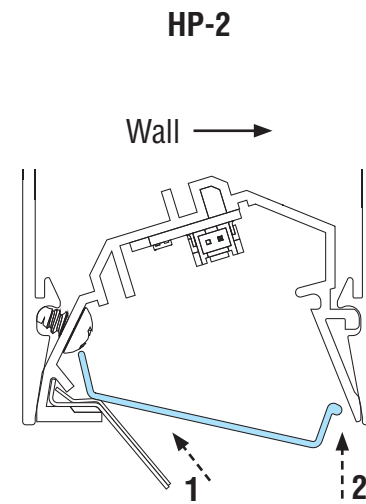
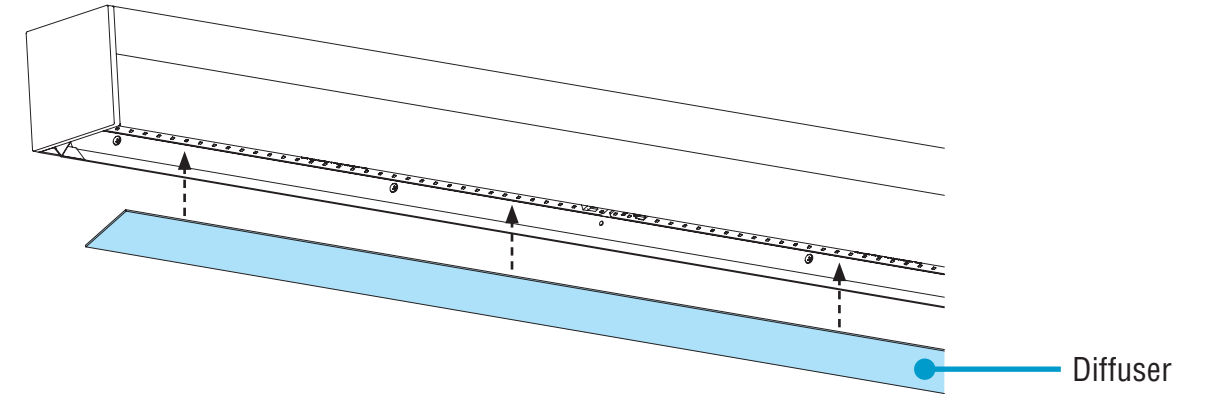
## Step 2 - Replace Engine

### A. Remove & Replace Engine

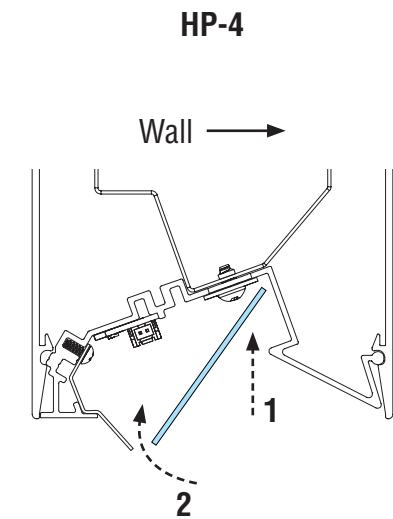


- Remove old LED engine and replace with new LED engine.
- Reconnect harness and shunt to LED engine.

### B. Replace Diffuser



- **CAUTION:** Wear gloves to keep diffuser surface clean.
- **CRITICAL:** Be sure to install correct diffuser to its corresponding luminaire ID.
- Install diffuser into luminaire body, ensuring they are in place.
- **1.** Slide the side of the diffuser without a notch into luminaire.
- **2.** Push the side of the diffuser that has a notch until click sound is heard.
- Turn power on to luminaire.



- **CAUTION:** Wear gloves to keep diffuser surface clean.
- **CRITICAL:** Be sure to install correct diffuser to its corresponding luminaire ID.
- Install diffuser into luminaire body, ensuring they are in place.
- **1.** Reinstall diffuser by pushing right side of diffuser into backplate.
- **2.** Push left side of diffuser until it lays flat on backplate.
- Turn power on to luminaire.



LED Engine  
Replacement