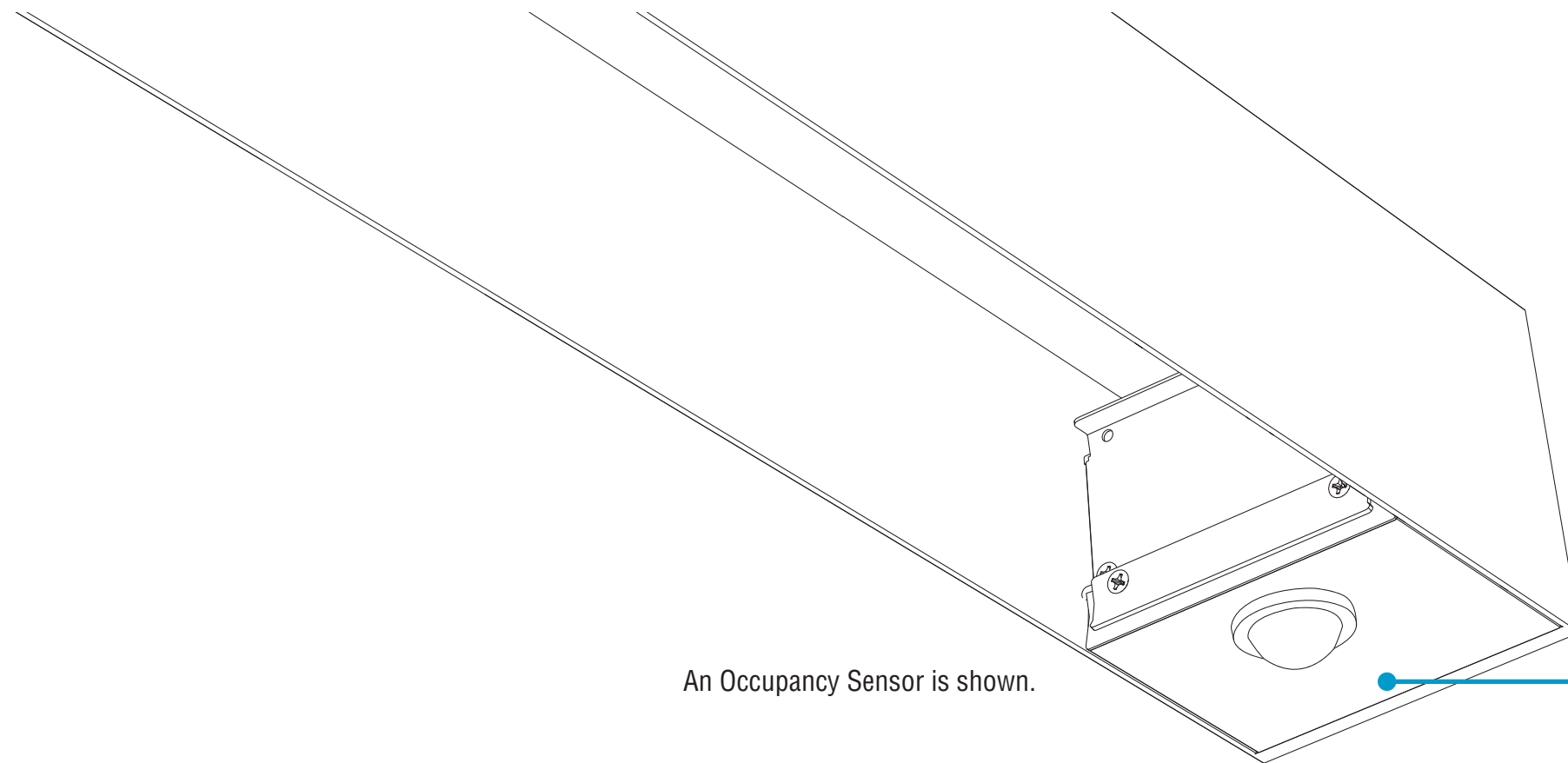


HP-2 / HP-4 / HP-6 Sensor Housing Addendum Installation Instructions

Overview

NOTES

- This addendum applies to all sensors and test buttons.
- All power connections should be installed according to local/national codes by a Certified Electrician.
- This installation requires **proper support** as each luminaire is being installed.
- **DO NOT attempt to join luminaires together on the floor.** Damage may result when lifted.



An Occupancy Sensor is shown.

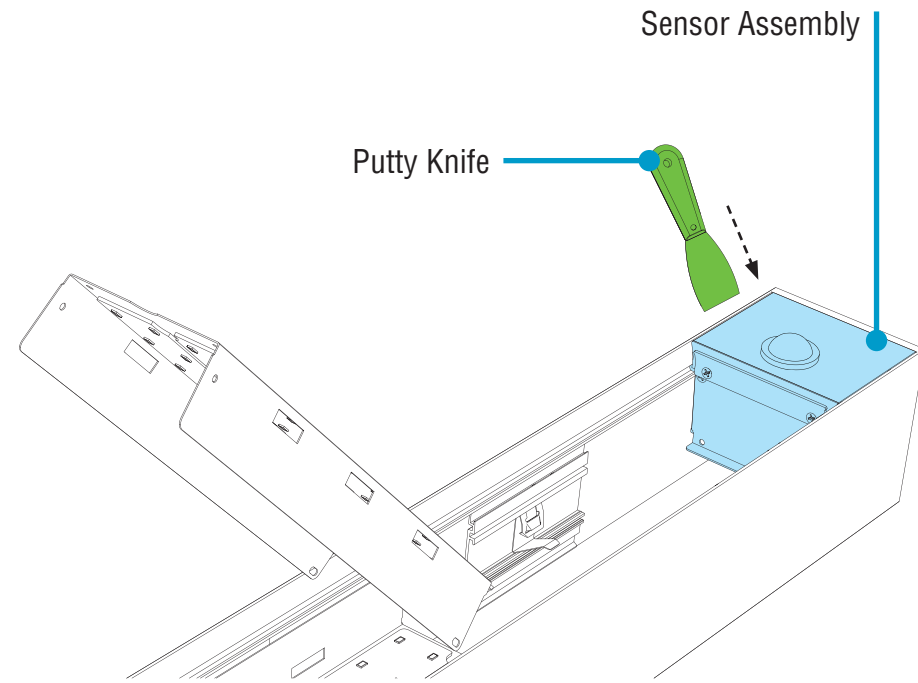
Sensor Housing Addendum at Endcap
Pages 2-3

Sensor Housing Addendum at Joint
Pages 4-5

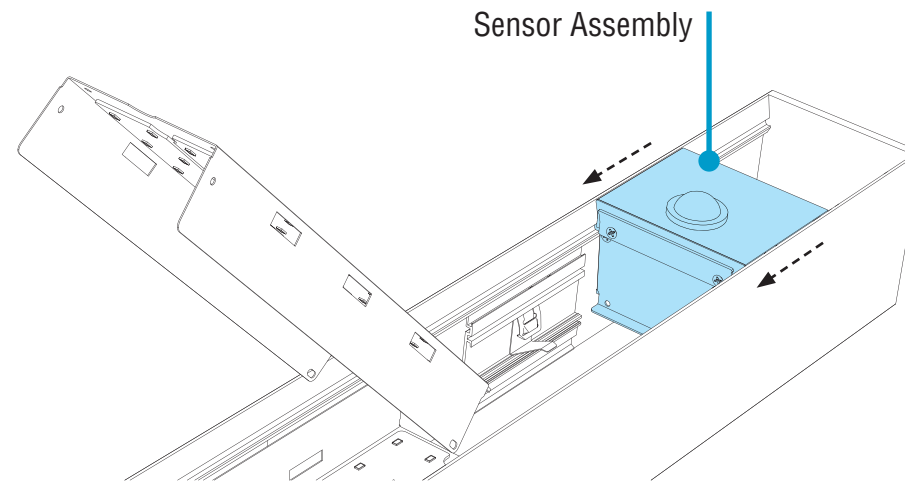
HP-2 / HP-4 / HP-6 Sensor Housing Addendum Installation Instructions

Step 1 - Remove Sensor at Endcap; Surface Mount, Spackle & Visible Flange Only

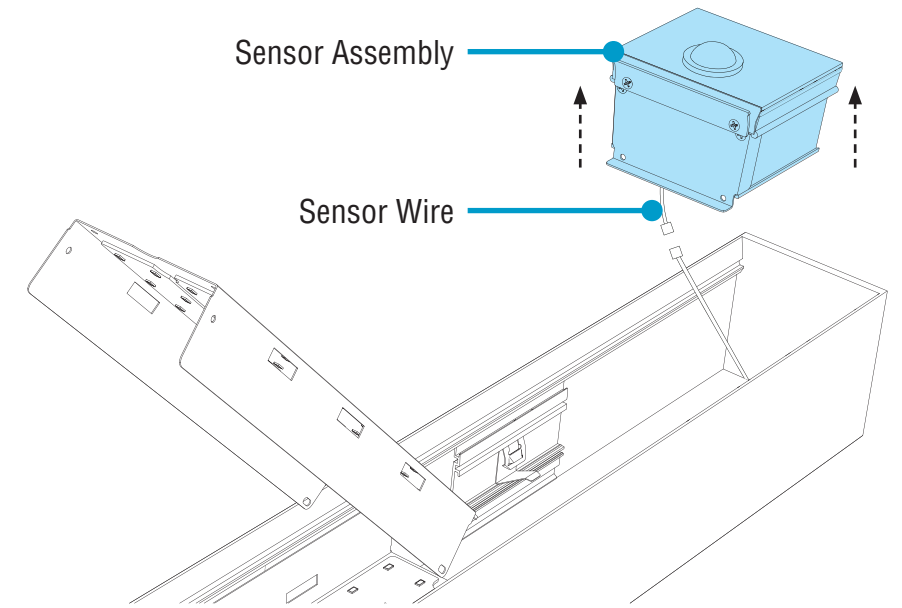
Remove Sensor at Endcap



- Once backplates are open, release sensor assembly by gently sliding the blade of a putty knife between sensor assembly and luminaire body.



- Slide sensor assembly approximately 12 inches away from endcap.

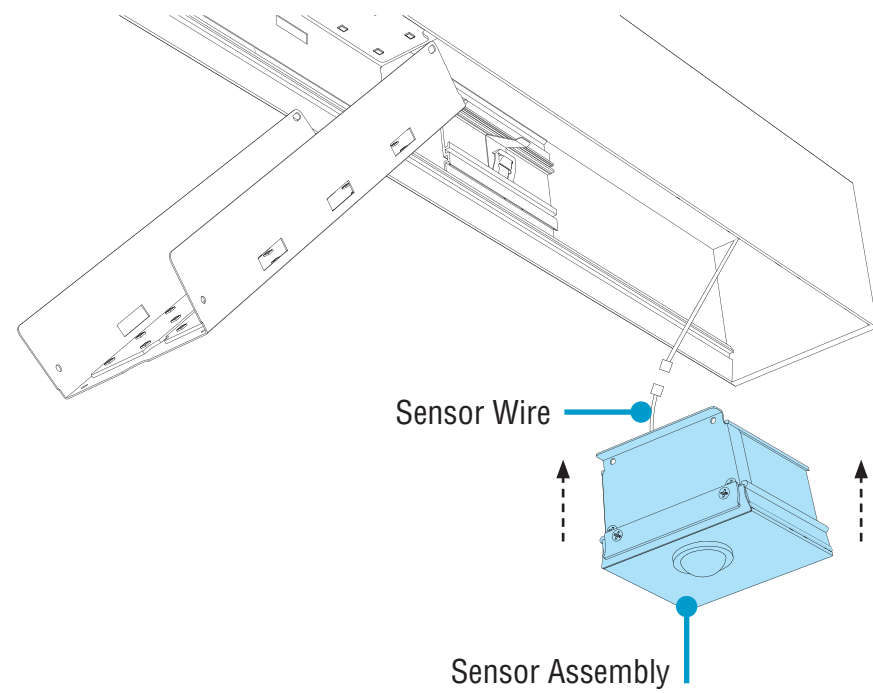


- Remove sensor assembly from luminaire by snapping out and lifting up.
- Disconnect sensor wire from sensor assembly.
- Once sensor assembly is removed, refer back to Luminaire Installation Instructions: Mounting Starter to Structure.

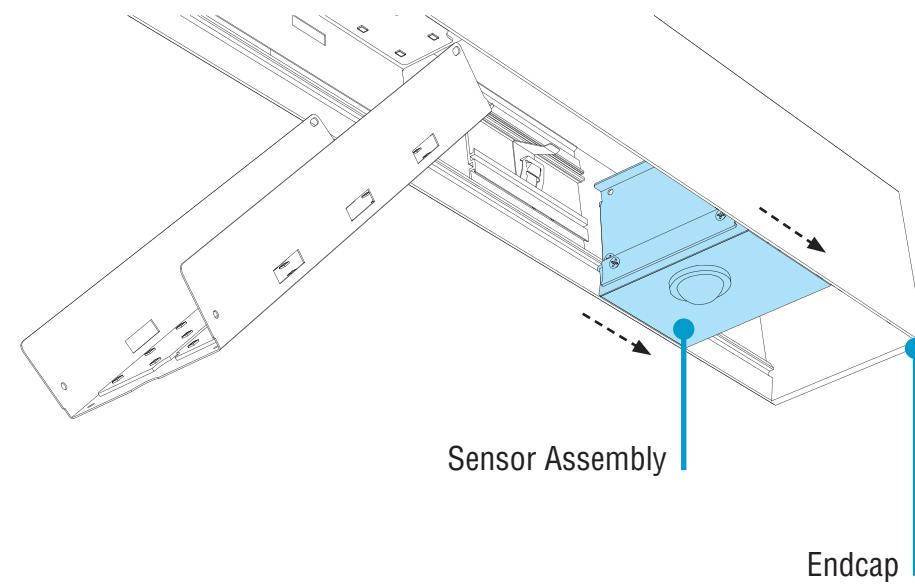
HP-2 / HP-4 / HP-6 Sensor Housing Addendum Installation Instructions

Step 2 - Reinstall Sensor at Endcap; Surface Mount, Spackle & Visible Flange Only

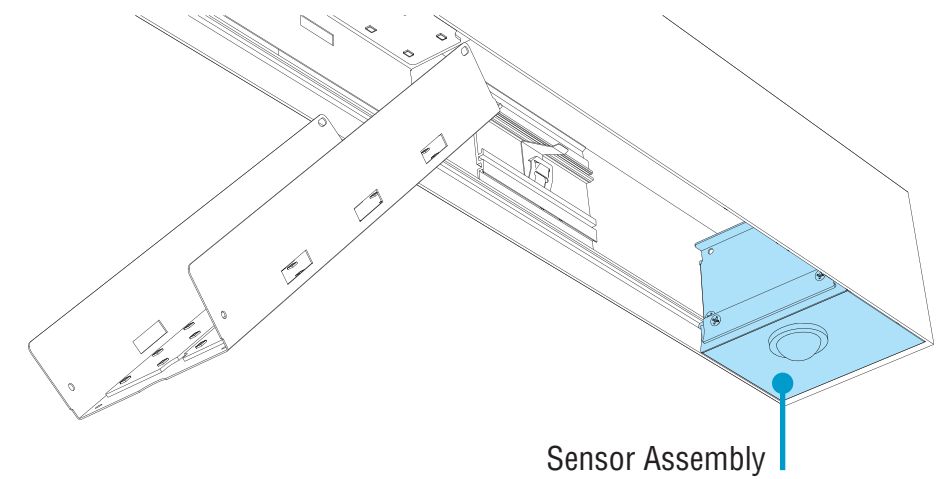
Replace Sensor at Endcap



- Once luminaire is mounted, reconnect sensor wire to sensor assembly.
- Replace sensor assembly back into luminaire by pushing up and snapping in.



- Slide sensor assembly approximately 12 inches back towards endcap.



- Once sensor assembly is in place, refer back to Luminaire Installation Instructions: Closing Luminaires.

HP-2 / HP-4 / HP-6 Sensor Housing Addendum Installation Instructions

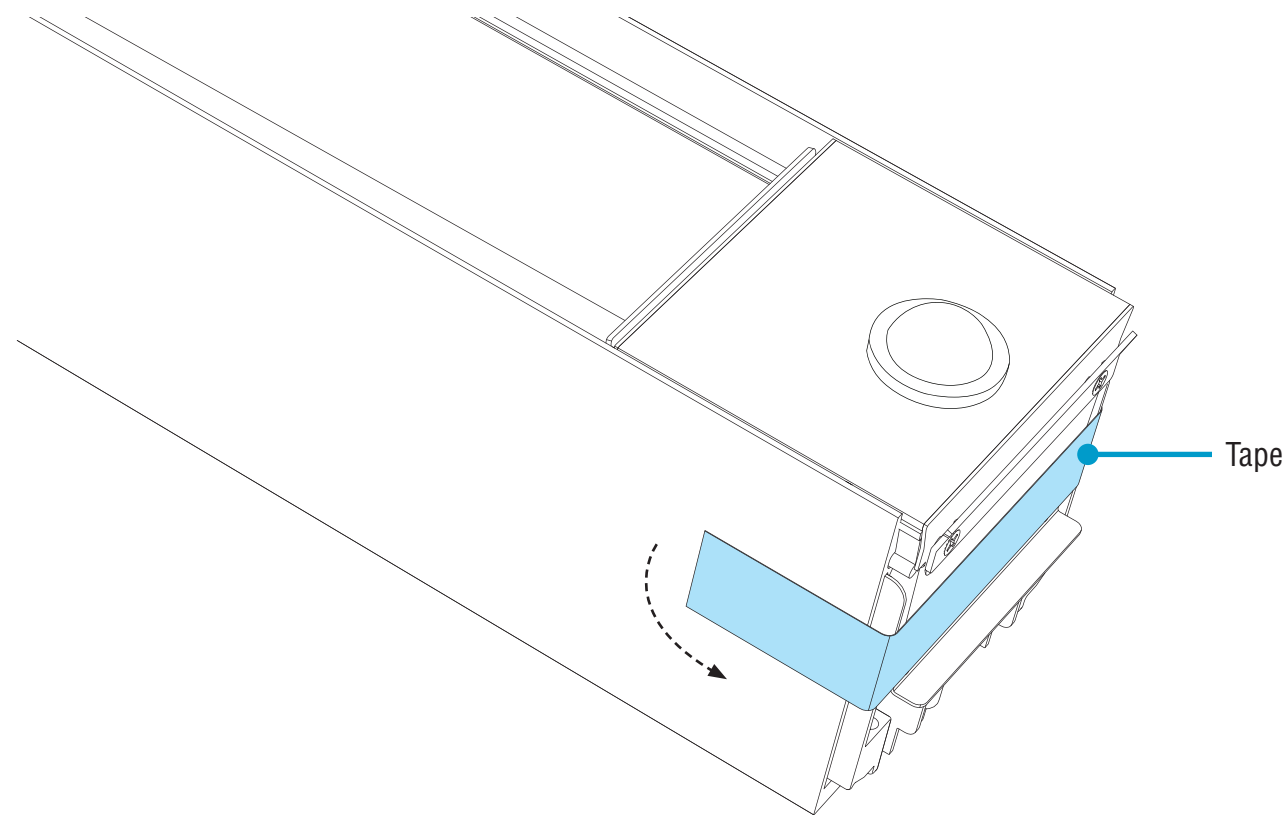
Step 1 - Remove Sensor at Luminaire Joint; For All Mounting Options

Remove Sensor at Joint

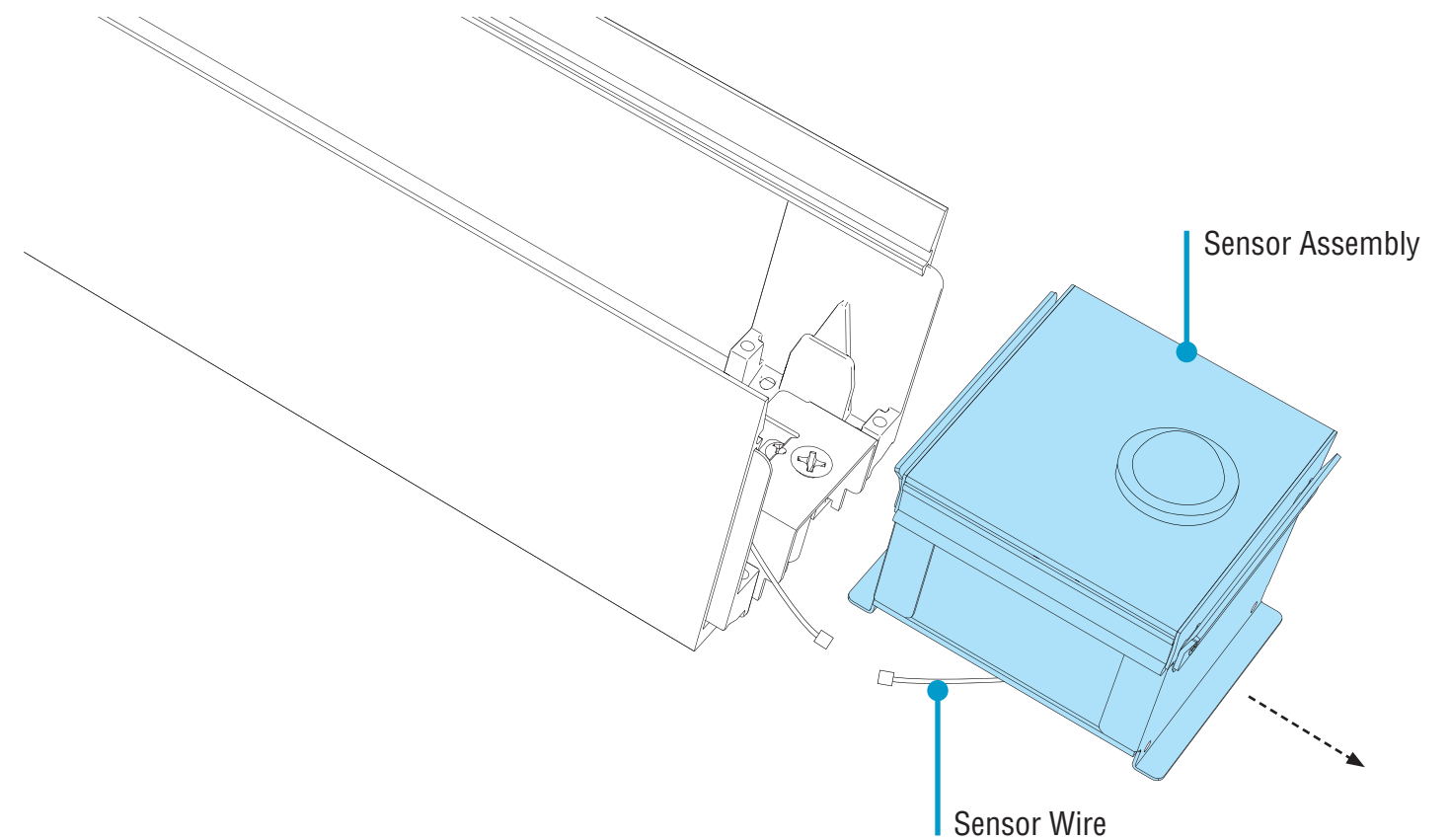


CAUTION

DO NOT attempt to join luminaires together on the floor. Damage may result when lifted. Follow these instructions.



- Once backplates are open, remove tape holding sensor assembly onto luminaire and discard.



- Slide sensor assembly out of luminaire from end.
- Disconnect sensor wire from sensor assembly.
- Once sensor is removed, refer back to Luminaire Installation Instructions: Securing Luminaire Joints.

HP-2 / HP-4 / HP-6 Sensor Housing Addendum Installation Instructions

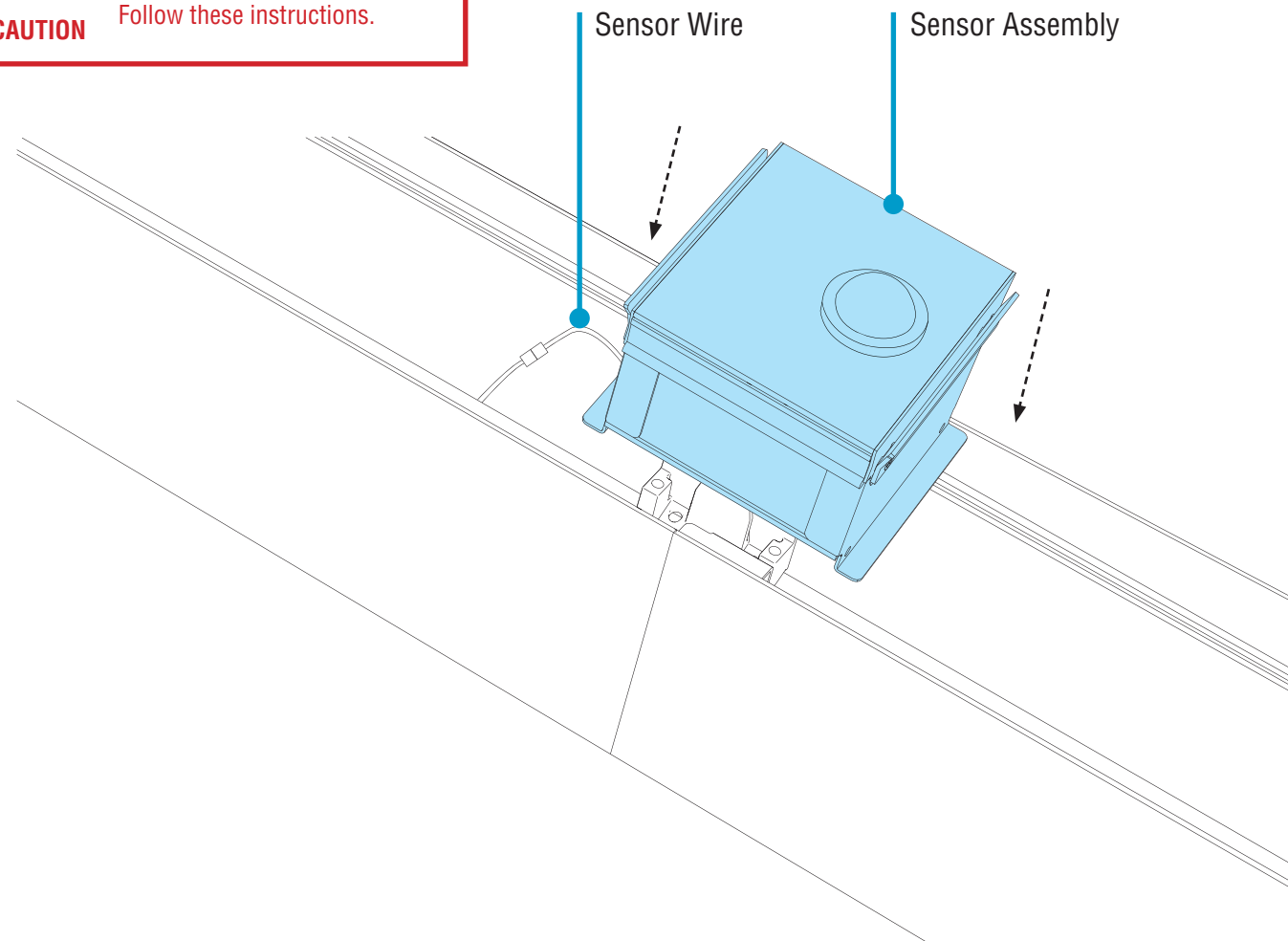
Step 2 - Reinstall Sensor at Luminaire Joint; For All Mounting Options

Replace Sensor at Joint



CAUTION

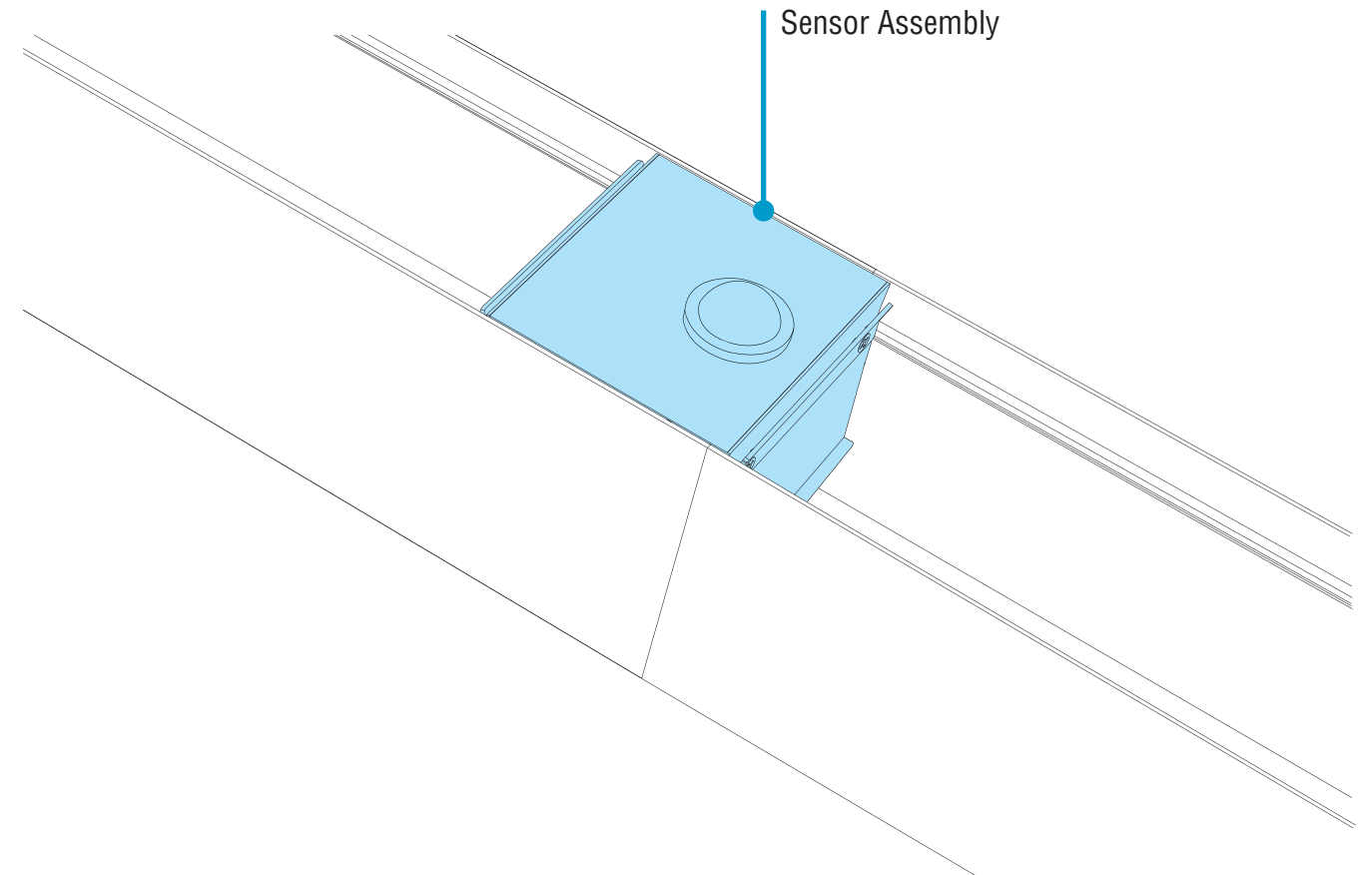
DO NOT attempt to join luminaires together on the floor. Damage may result when lifted. Follow these instructions.



Sensor Wire

Sensor Assembly

- Once luminaires are joined, reconnect sensor wire to sensor assembly.
- Replace sensor assembly back into luminaire and snap in place.



Sensor Assembly

- Once sensor is in place, refer back to Luminaire Installation Instructions: Closing Luminaires.