

HP-2 / HP-4 / HP-6 LED Engine Replacement Instructions

Overview

NOTES

- All power connections should be installed according to local/national codes by a Certified Electrician.
- This installation requires **proper support** as each luminaire is being installed.
- **DO NOT attempt to join luminaires together on the floor.** Damage may result when lifted.



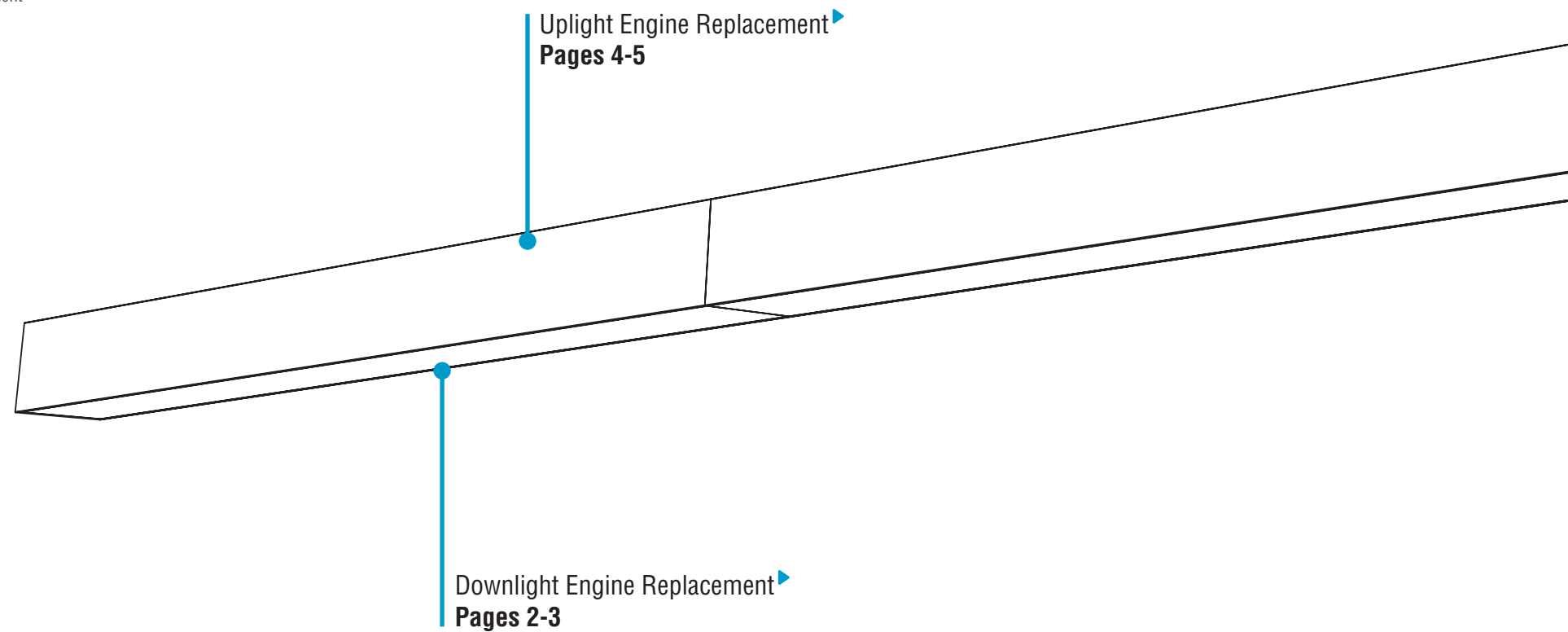
HELPFUL
VIDEOS



Effortless
Access



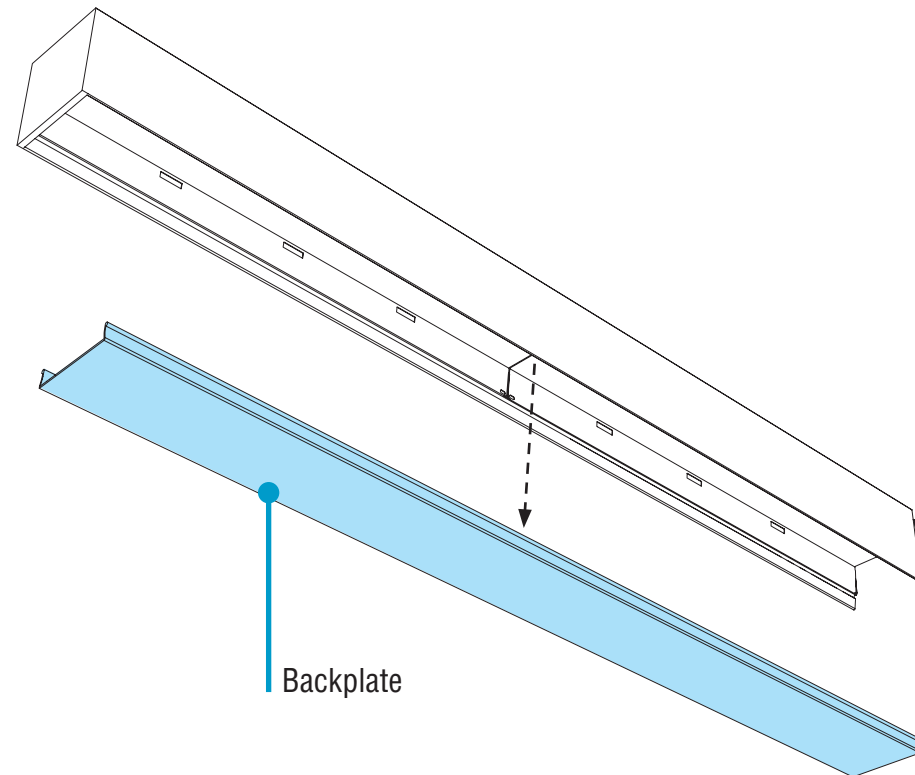
LED Engine
Replacement



HP-2 / HP-4 / HP-6 Downlight LED Engine Replacement Instructions

Step 1 - Opening Luminaires

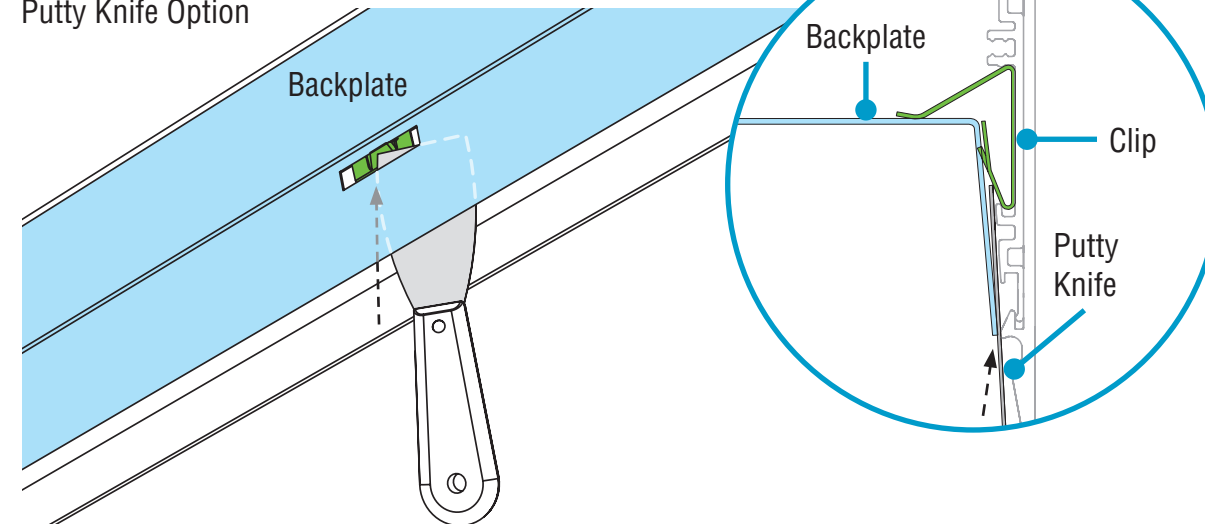
A. Remove Diffuser



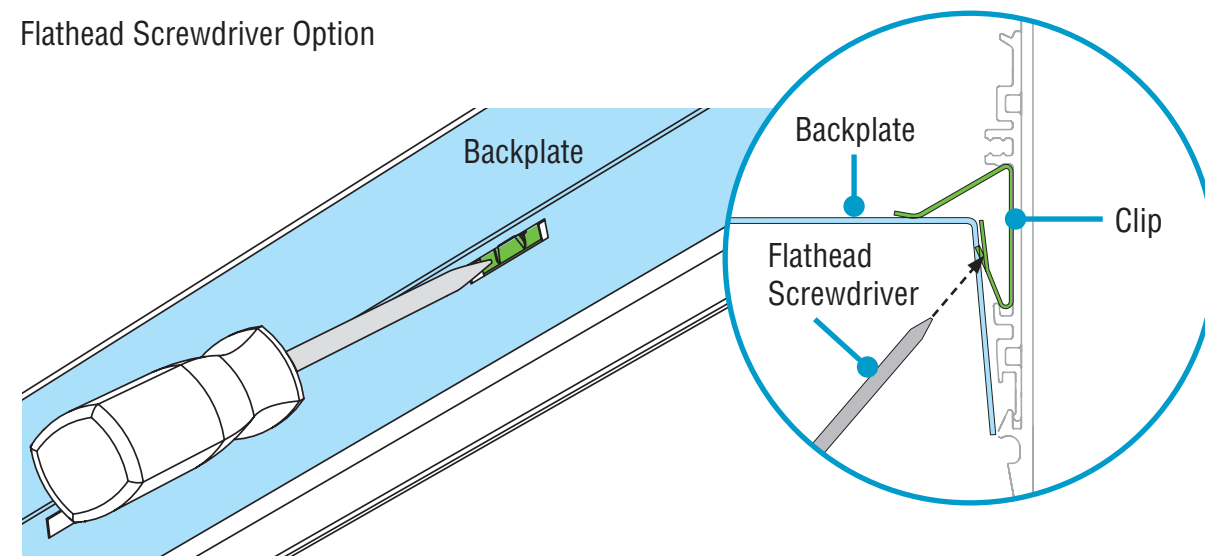
- Carefully remove diffuser and set aside to prevent from getting dirty or damaged.

B. Release Backplates

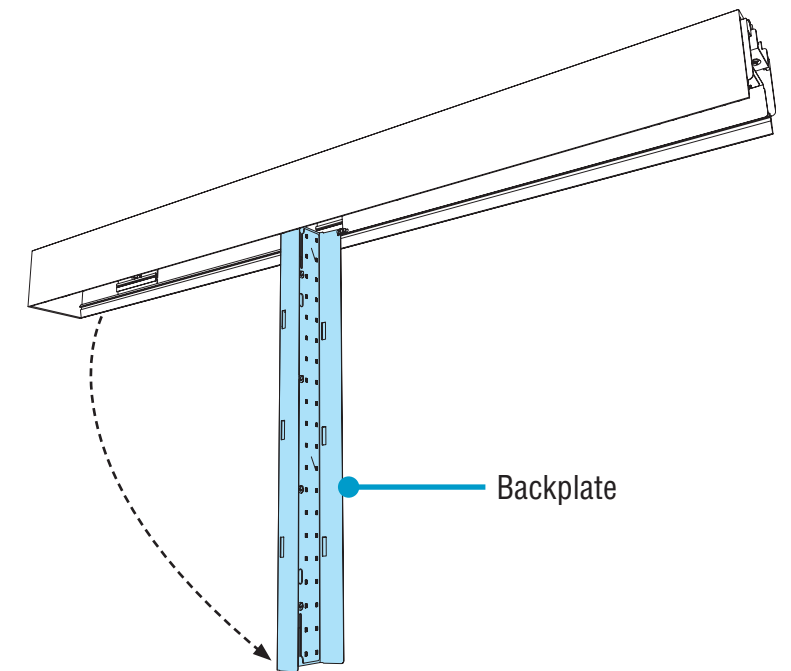
Putty Knife Option



Flathead Screwdriver Option



- Release the backplates from clips by sliding the blade of a putty knife behind backplate edges.
- To use a flathead screwdriver, press end of screwdriver (from inside the luminaire) against the clip, until the backplate is released.



- Carefully rotate backplates out and let them hang from luminaire body.

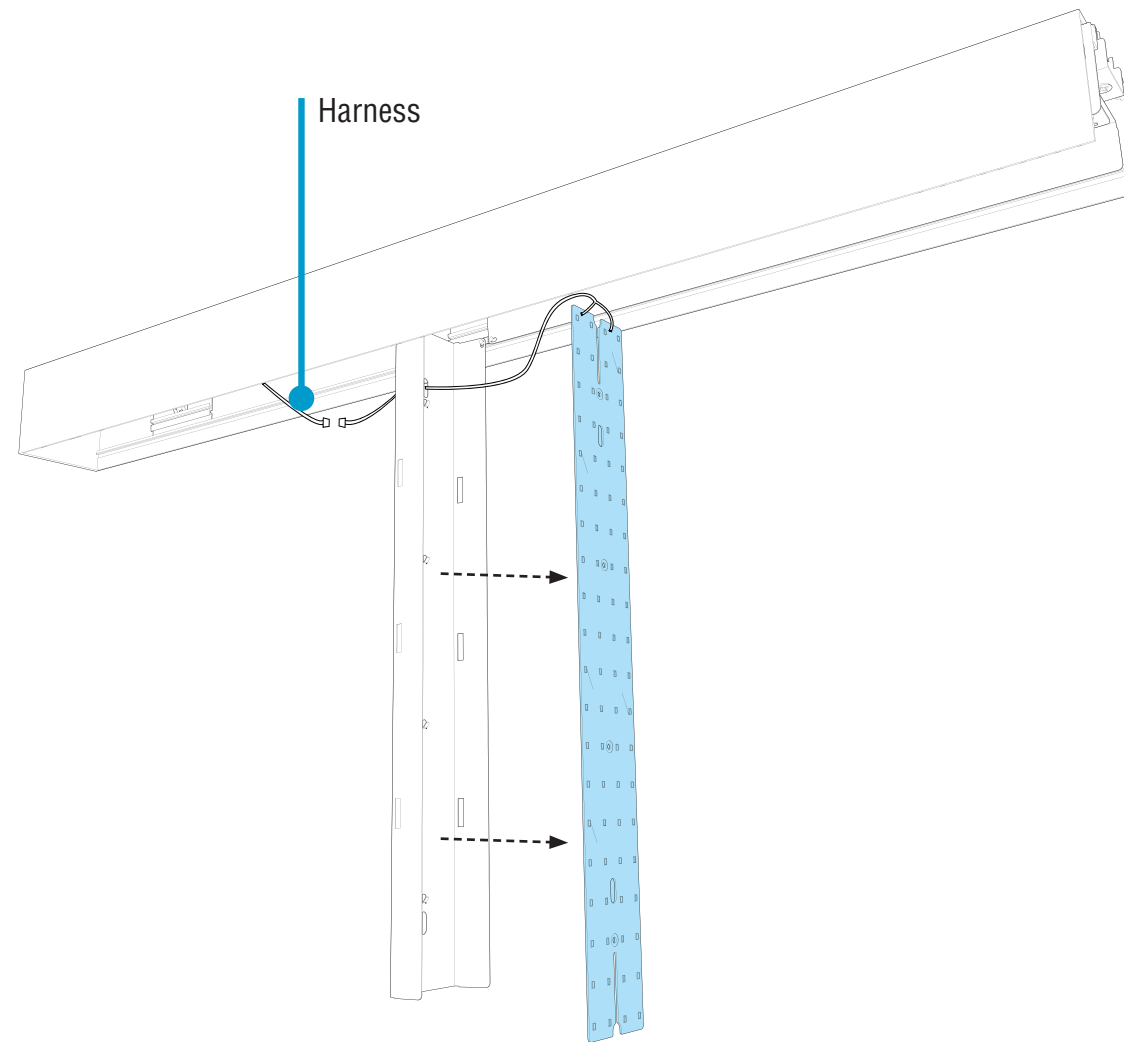


Effortless
Access

HP-2 / HP-4 / HP-6 Downlight LED Engine Replacement Instructions

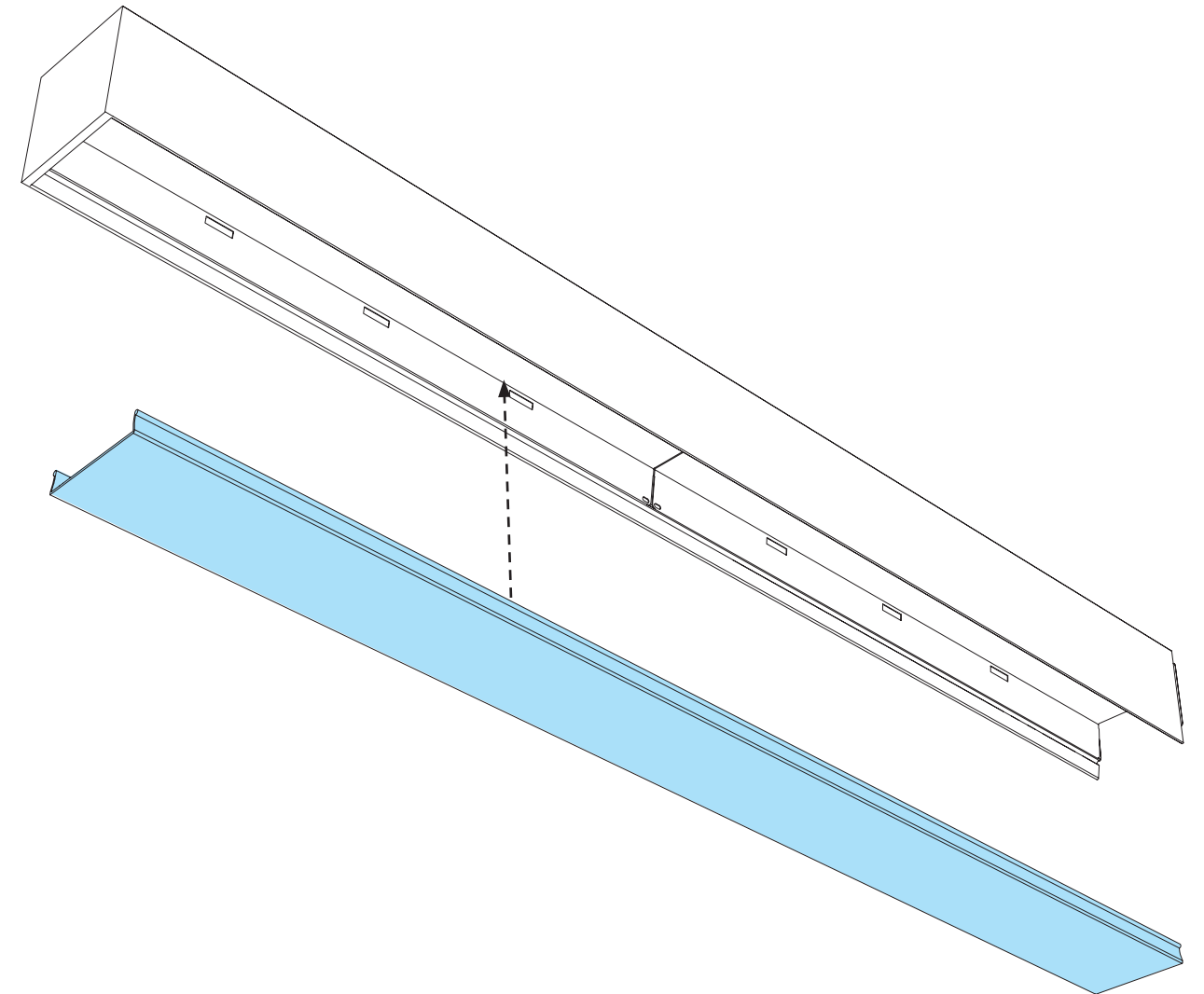
Step 2 - Replace Engine

A. Release & Replace Downlight Engine



- Disconnect harness from LED engine.
- Bend tabs to release LED engine from backplate.
- Replace with new LED engine and secure onto the backplate with tabs.
- Reconnect harness to LED engine.
- Replace backplate by snapping back into clips.

B. Replace Diffuser



- Replace diffuser and turn power on.

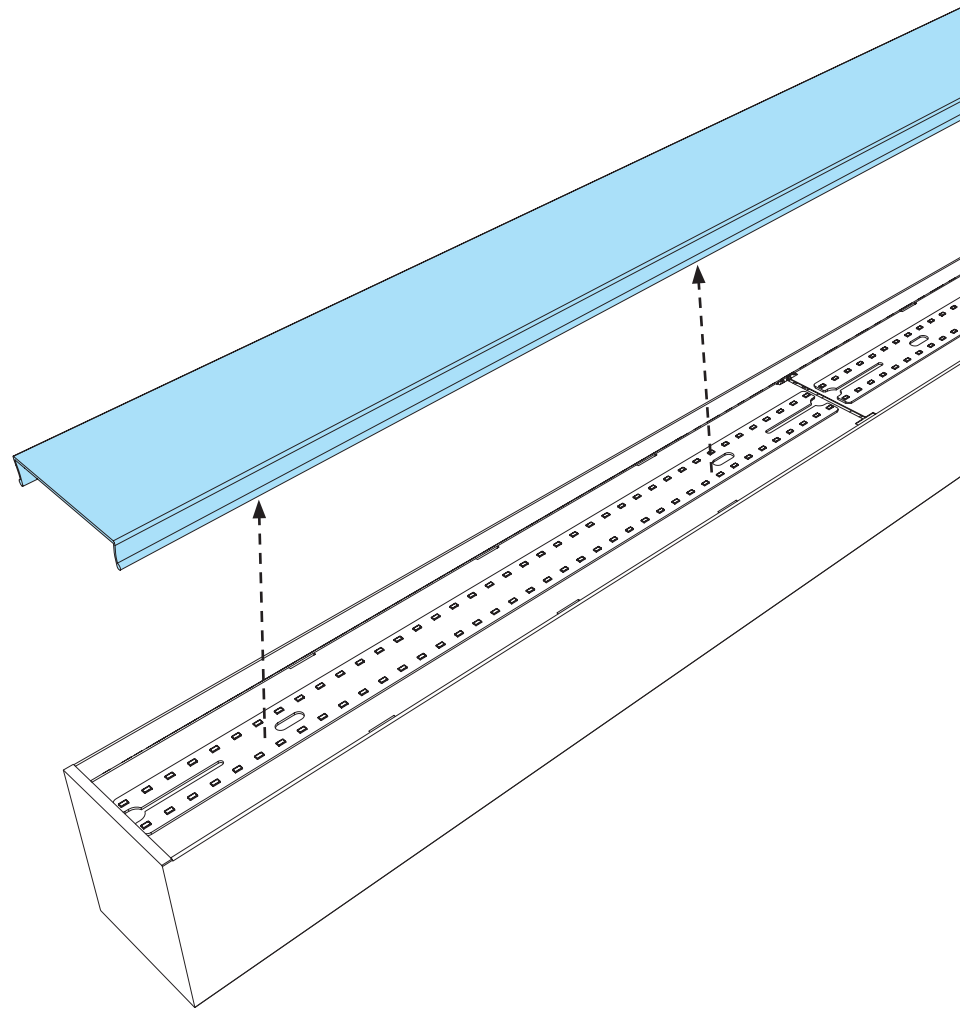


LED Engine
Replacement

HP-2 / HP-4 Uplight LED Engine Replacement Instructions

Step 1 - Opening Luminaires

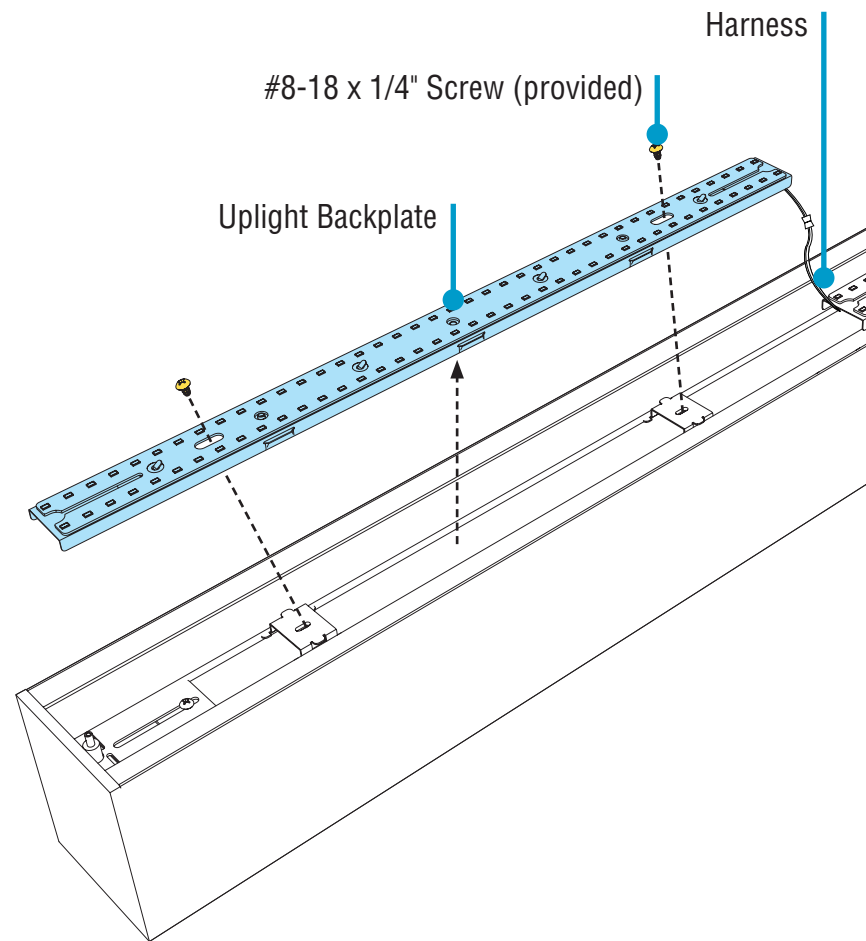
A. Remove Diffusers



- Remove diffuser and set aside to prevent from getting dirty or damaged.

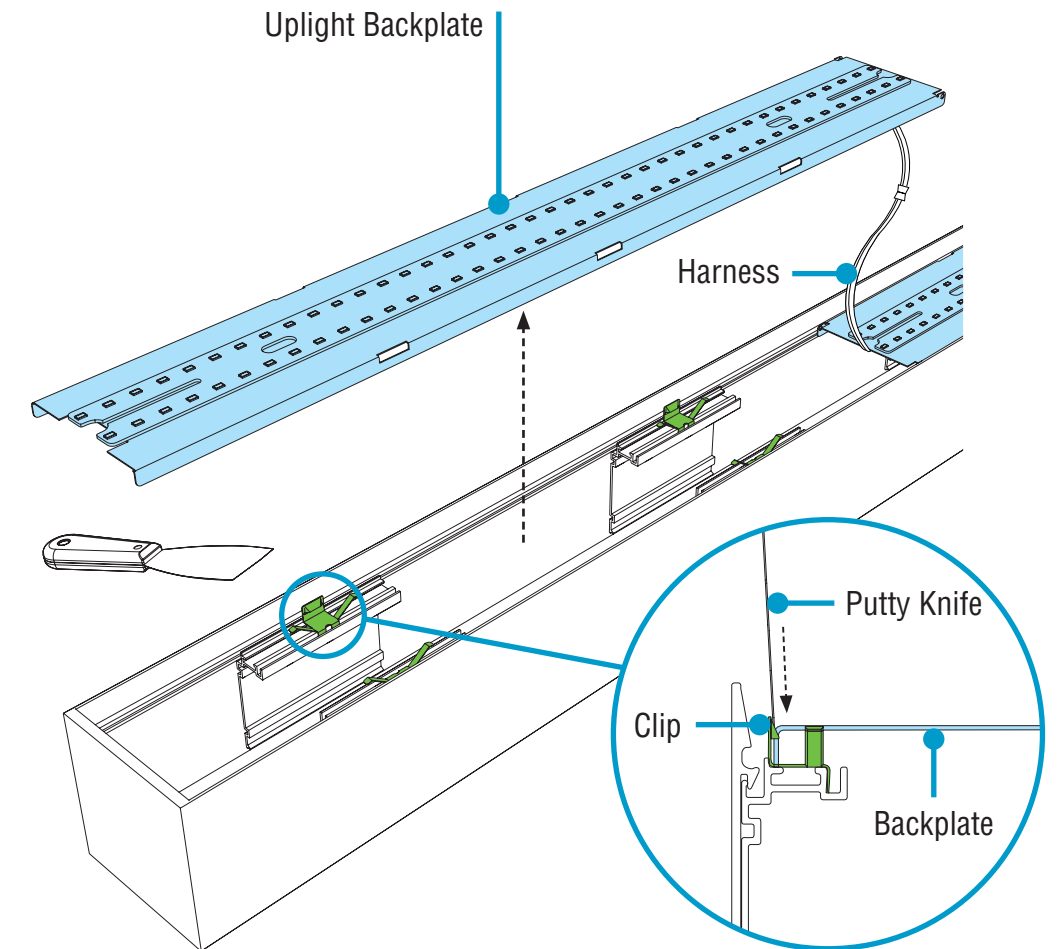
B. Remove Uplight Backplate

For Indirect / Direct



- Remove #8-18 x 1/4" screws to release upright backplate.
- Lift backplate out of housing channel, pulling wiring harnesses through the housing.

For Indirect



- To release upright backplate, use a putty knife to slip behind backplate edges and release them from clips.
- Lift backplate out of housing channel, pulling wiring harnesses through the housing.



#8-18 x 1/4" Screws
(provided)



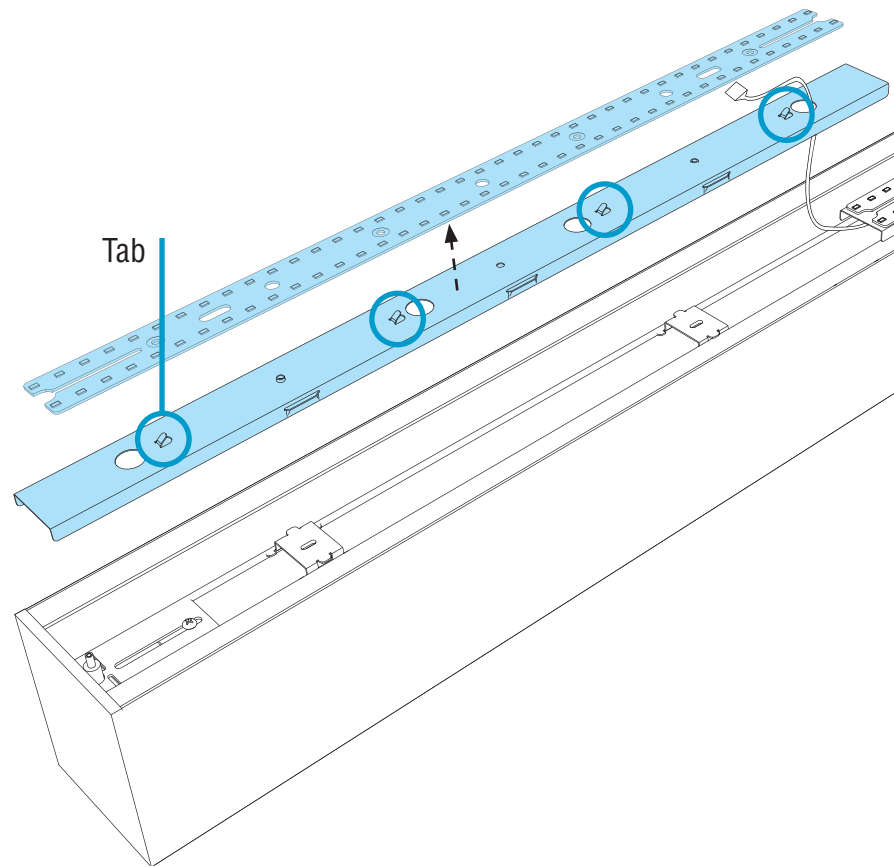
Effortless
Access

HP-2 / HP-4 Uplight LED Engine Replacement Instructions

Step 2 - Replace Engine

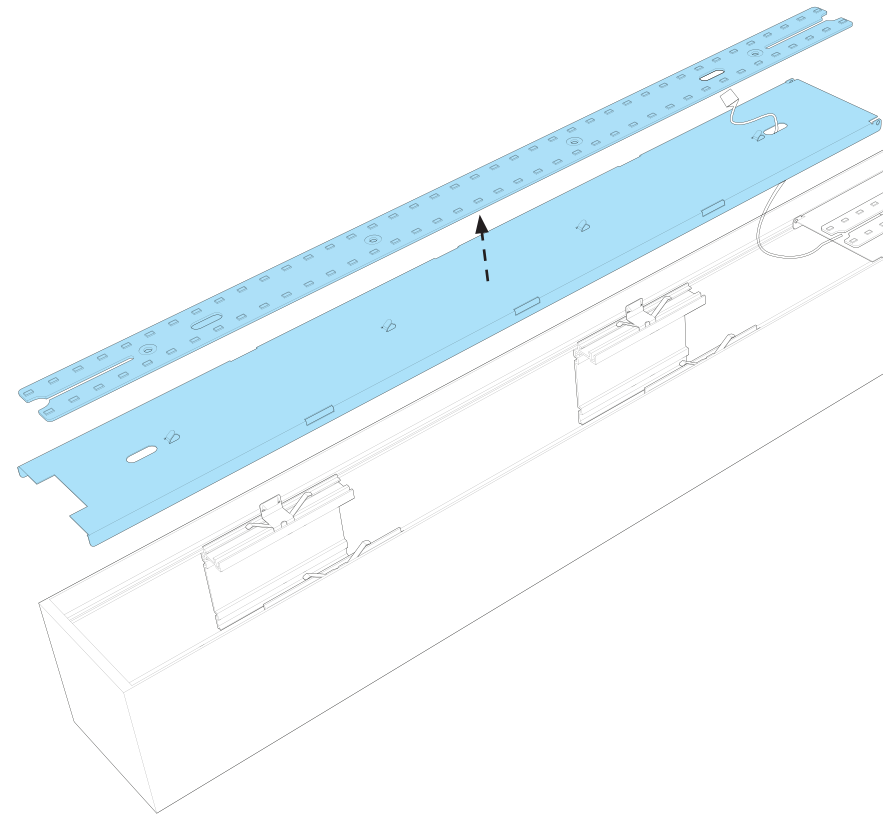
A. Remove LED Engine

For Indirect / Direct

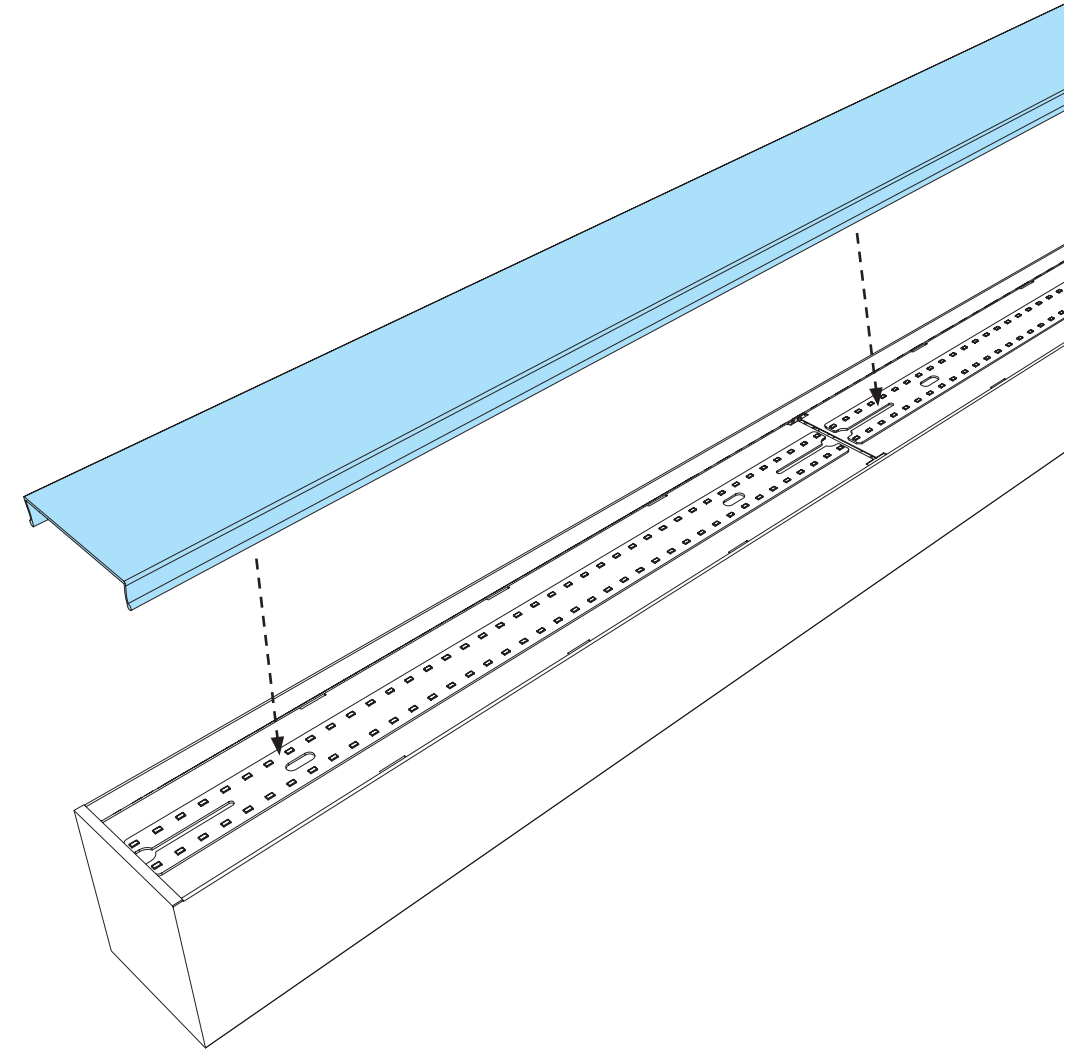


- Disconnect harness from LED engine.
- Bend tabs to release LED engine from backplate.
- Replace with new LED engine and secure onto the backplate with tabs.

For Indirect



B. Replace Uplight LED Engine



- Reconnect harness to LED engine.
- Replace backplate by snapping back into clips.
- Replace diffuser and turn power on.



LED Engine
Replacement