
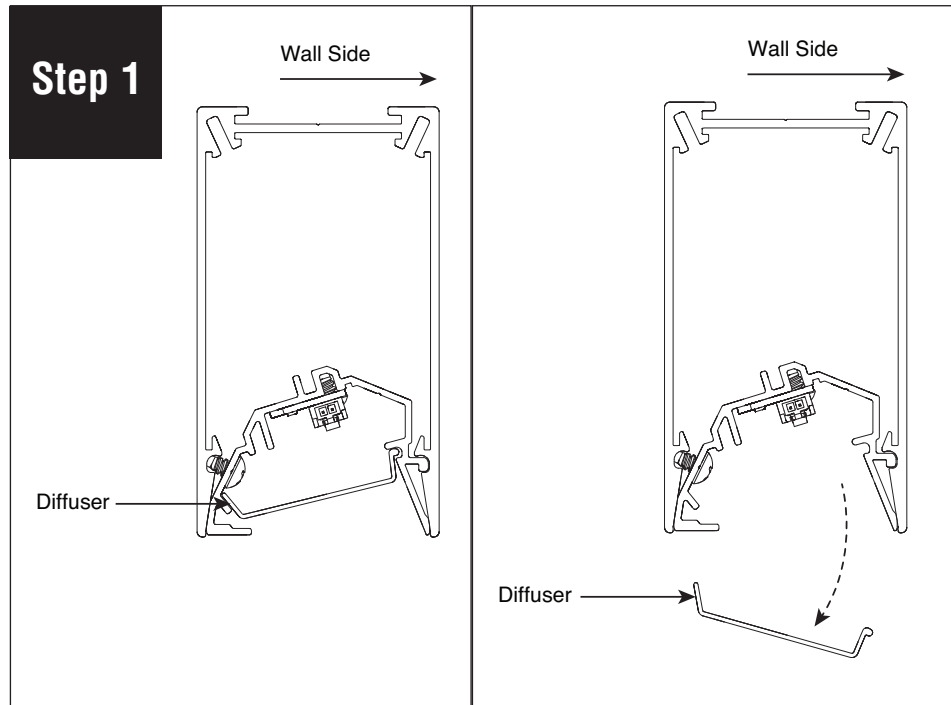


HP-2 Wall Wash LED Driver Replacement Installation Instructions

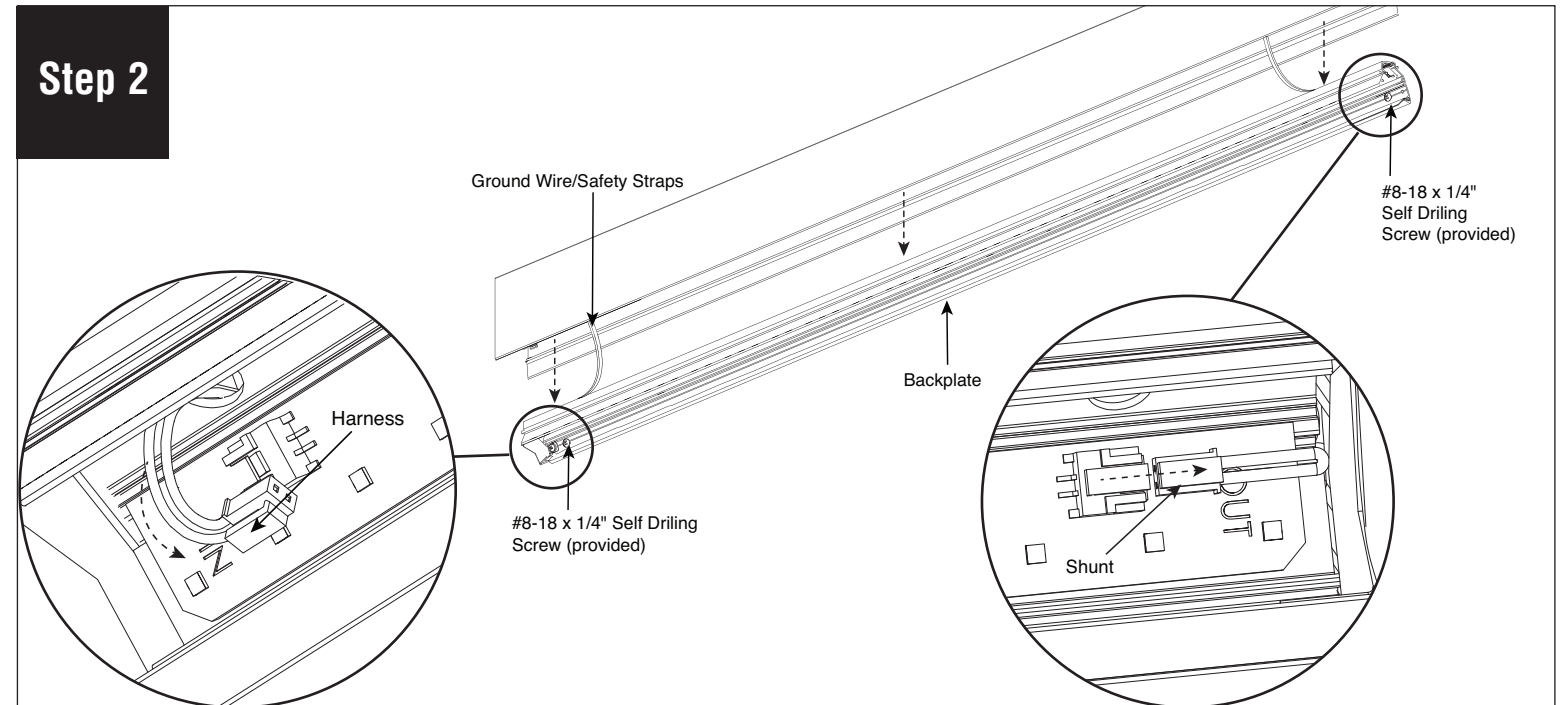
Scan QR code for helpful video(s)



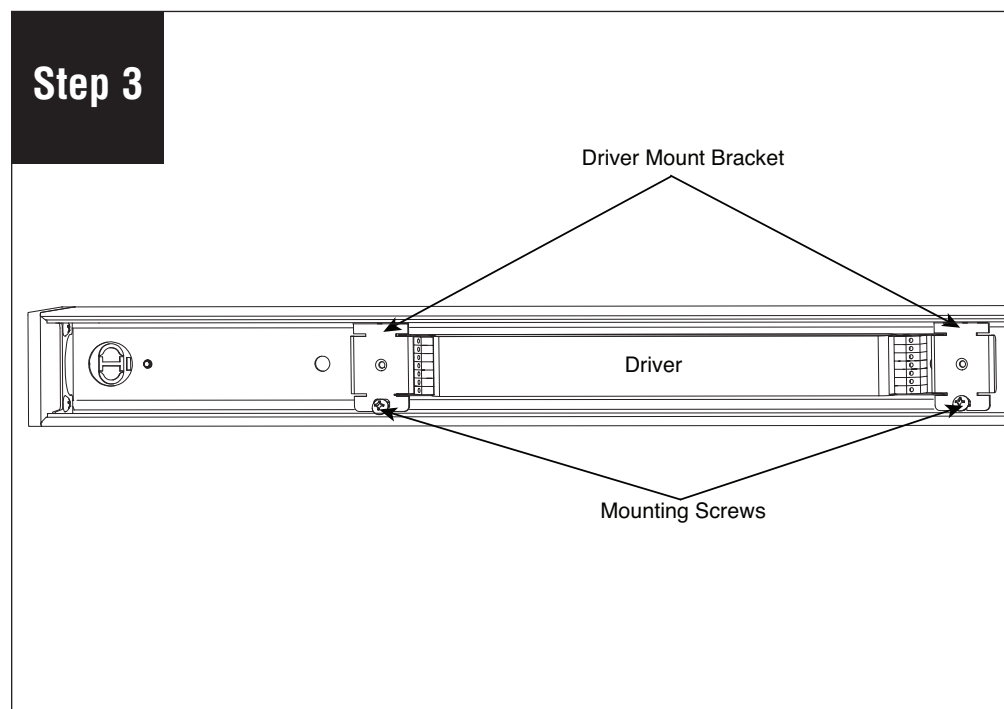
0 - 10V Dimming



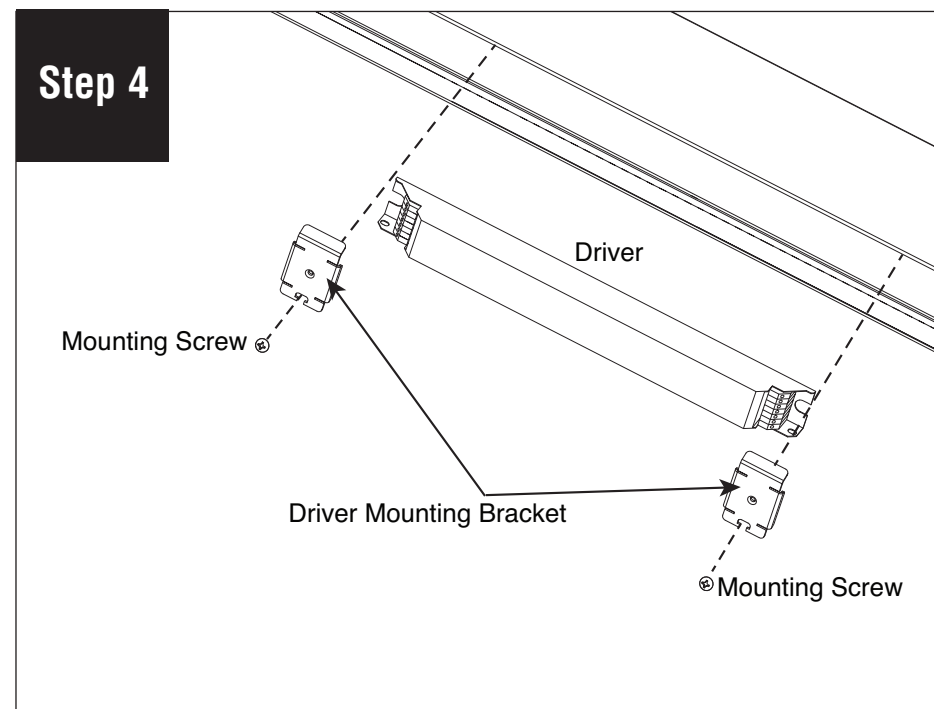
Turn off power. Remove diffuser and set aside to prevent it from getting dirty or damaged. We recommend using a thin flat tool such as a putty knife.



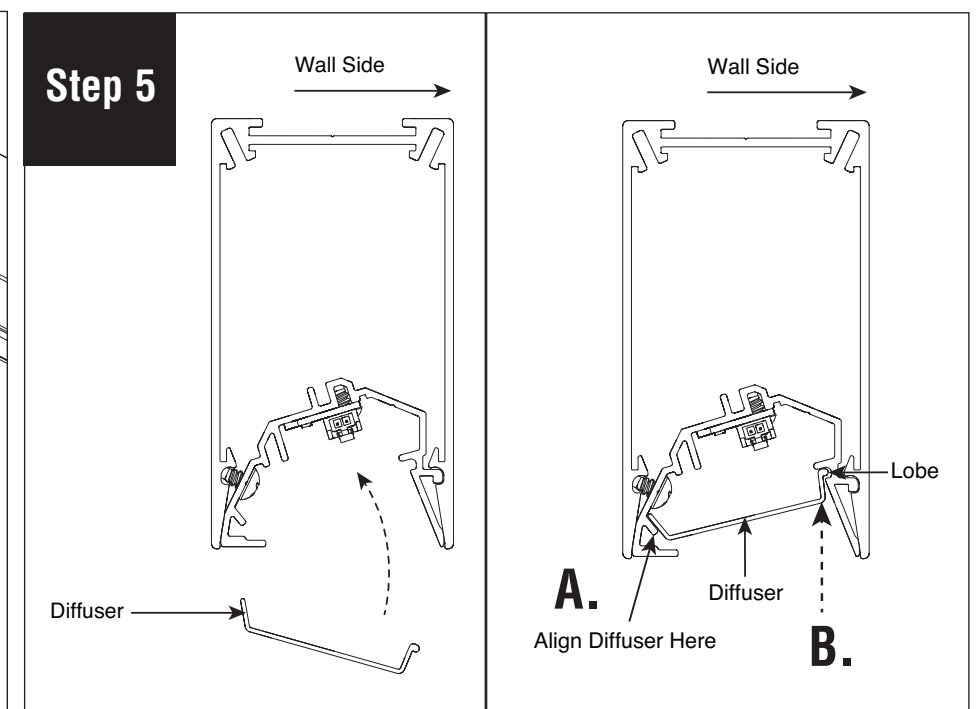
Unplug LED harness and shunt. Remove extruded back plate by loosen only the two shown #8 screws (one per side of the extrusion). They do not need to be removed. There are two ground wire/safety straps that the back plate assembly will hang from.



Disconnect all electrical connections from driver(s).



Remove mounting screws and driver bracket to replace the new driver. Reconnect all electrical connections to drivers and replace back plate by securing the #8 screws. Plug in LED harness and shunt.



Reinstall diffuser: **A.** aligning it to the LED tray as shown. **B.** press the side with a snap lobe into the luminaire until it snaps. Turn power on to luminaire.

Note: All power connections to be installed to local/national codes by a Certified Electrician.