

Pendant Mounting and Feed Guide High Performance Open (H04)



Direct




Uplight/Downlight

FINELITE®
Better Lighting

Customer: _____ Job: _____ PO: _____

SUSPENSION TYPE



Fully Adjustable
1/4 X 20 threaded coupler

50"- Standard
89512

100" - 89153

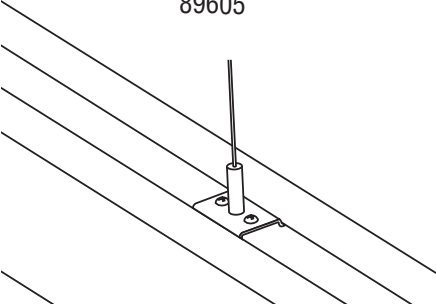
150" - 89514

Custom

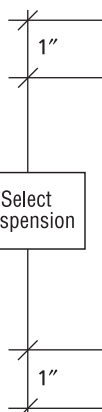
Fully adjustable cables are shipped attached to the luminaire.

Flexible Mounting

Only available with H04-D
89605



Suspension points adjust up to 2' in from the end of 8' or 12' fixture lengths and up to 1' in on shorter lengths.



Stem

(Select distance between threads)

9"

12"

15"

21"

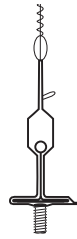
24"

Select Suspension

Contact factory for additional lengths


MOUNTING HARDWARE

On-Grid 1" T-Bar Support
94001




C1

On-Grid 9/16" T-Bar Support
94020



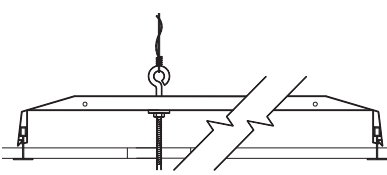
C2

On-Grid 9/16" Screw Slot T-Bar Support
94029




C3

Caddy 512 HD Between T-Bar Supports
89316




9/16" Screw Slot HD With Extended Stud For Tegular Tile
94029 &
94067

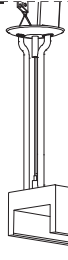


POWER FEED

Straight 18/5 SJT Cord
96272



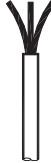
1 Circuit +
0-10V Dimming



Standard For UD only
1 feed controls up and down light together.


Optional For UD only
2 feed controls up and down light separately

Straight 18/3 SJT Cord
96099




No 0-10V
Dimming
Control

Straight 18/4 SJT Cord 2 Circuit
96100




No 0-10V
Dimming
Control

Stem Feed



Cord and Plug



© 2017 FINELITE, INC. ALL RIGHTS RESERVED CPE0084_09/17

Pendant Mounting and Feed Guide High Performance Open (H04)



Direct



Uplight/Downlight

FINELITE®
Better Lighting

Customer: _____ Job: _____ PO: _____

Finelite Standard	<p>Power Connection & Support</p> <p><input type="checkbox"/> Finelite GridBox™ Flex supplied by others.</p> <p>89330</p>	<p>Non-Power Connection & Support</p> <p><input type="checkbox"/> 2" Canopy</p> <p>89331</p>
--------------------------	--	---

* Supplied with 5" Canopy.

Options	<p><input type="checkbox"/> Dual GridBox™ Connection</p> <p>89332 <small>Flex supplied by others.</small></p>	<p><input type="checkbox"/> GridBox™ Connection Tegular Tile</p> <p>89335</p>	<p><input type="checkbox"/> 3.5" Canopy</p> <p>89333</p>	<p><input type="checkbox"/> 2" Canopy Tegular Tile</p> <p>89200</p>
	<p><input type="checkbox"/> J-Box Feed Support*</p> <p>89111</p>	<p><input type="checkbox"/> Stem Feed Support J-Box*</p> <p>89120</p>	<p><input type="checkbox"/> J-Box Support*</p> <p>89210</p>	
Options	<p><input type="checkbox"/> Offset J-Box Surface Mount*</p> <p>↳ up to 24" ↳</p> <p>81113</p>	<p><input type="checkbox"/> Offset J-Box T-Bar Support*</p> <p>89106</p>	<p><input type="checkbox"/> Stem Support*</p> <p>89120</p>	
	<p><input type="checkbox"/> Dual Offset J-Box Surface Mount*</p> <p>↳ up to 24" ↳</p> <p>81111</p>	<p><input type="checkbox"/> Dual Offset J-Box T-Bar Support*</p> <p>89107</p>	<p><input type="checkbox"/> Surface Mount (Standard)</p> <p>89225</p>	<p><input type="checkbox"/> Surface Mount (Optional)</p> <p>89334</p>
Options	<p><input type="checkbox"/> Custom Power Connection</p>	<p><input type="checkbox"/> No Power Connection</p>	<p><input type="checkbox"/> Custom Non-Power Connection</p>	<p><input type="checkbox"/> No Connection</p>

Hardware compatible with 4" octagonal J-Box. Consult Finelite Customer Service for pricing on all options.

Pendant Mounting and Feed Guide High Performance Open (H04)



Direct



Uplight/Downlight

FINELITE®
Better Lighting

Customer: _____ Job: _____ PO: _____

Standard Fixture Lengths & Support Locations

