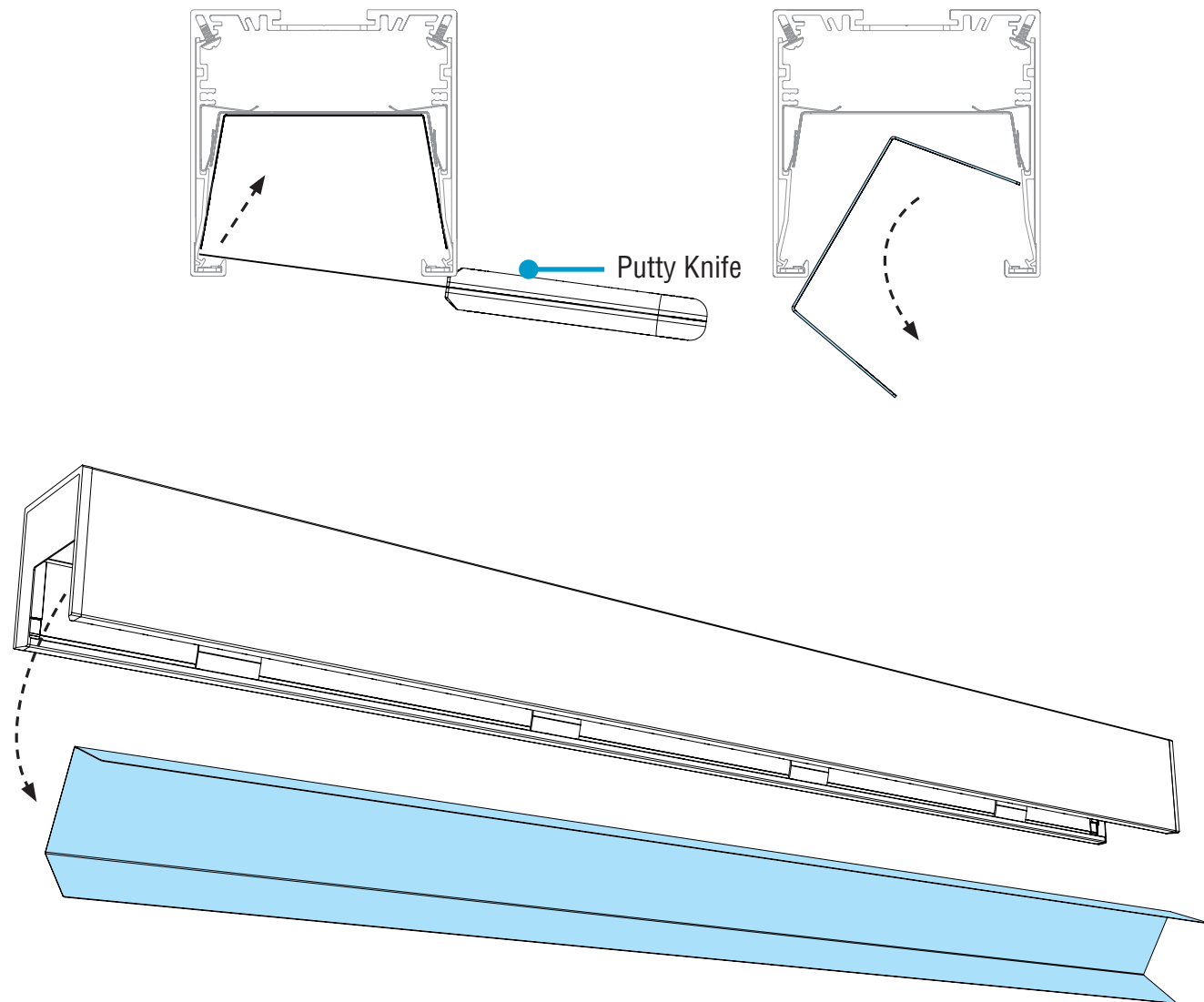


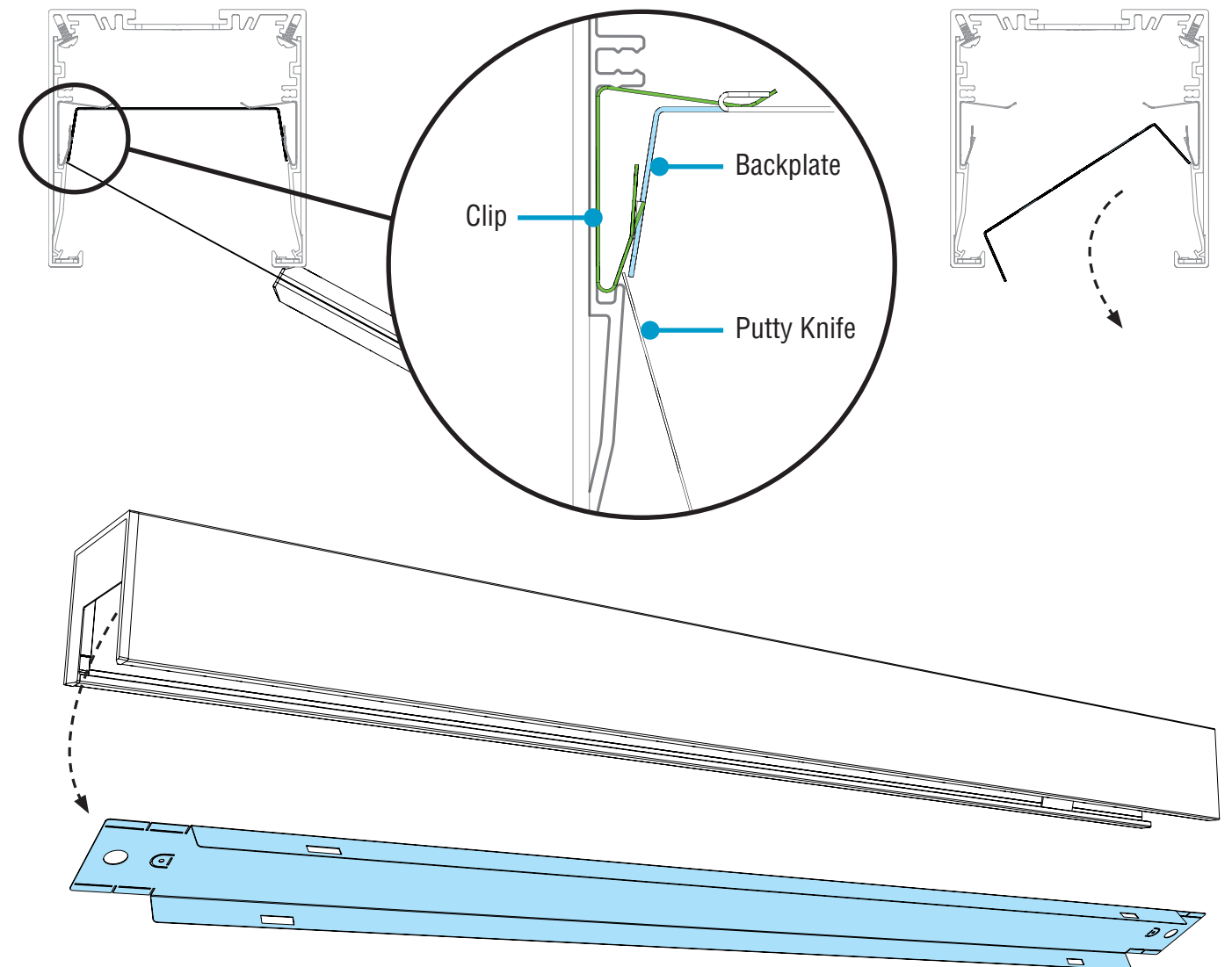
H04 Light Engine Replacement Installation Instructions

A. Remove Reflector



- Remove reflector by carefully placing a flat edge (such as a clean putty knife) between the reflector and luminaire body.
- Push slightly up, and angle out.

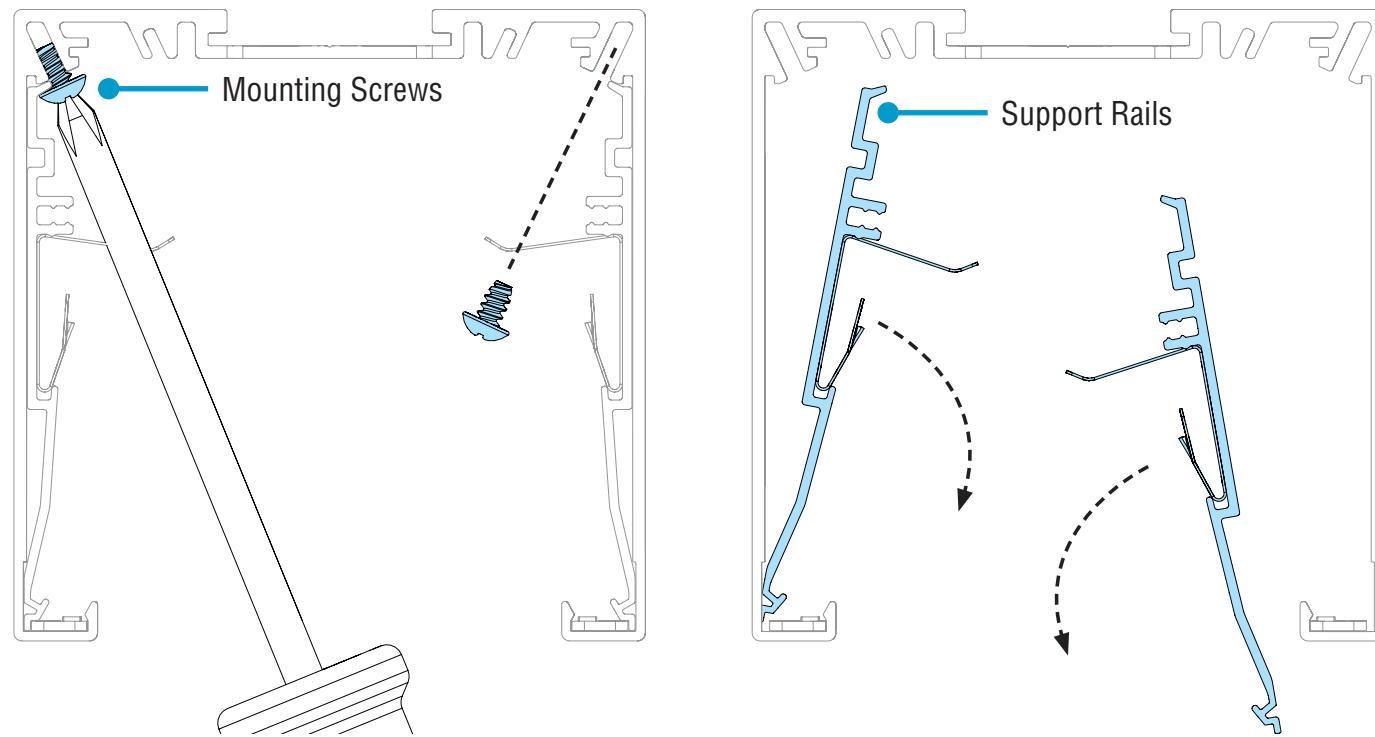
B. Remove Backplate



- Use putty knife to slip behind backplate edges and release backplates from clips (4 clips per backplate).

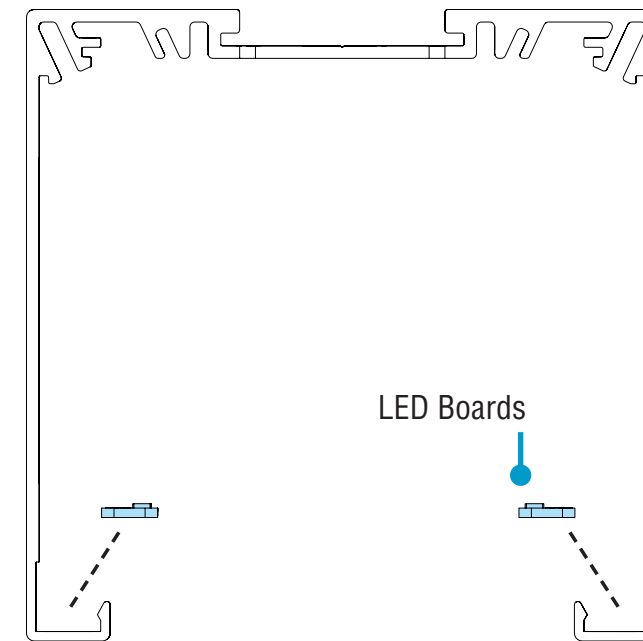
H04 Light Engine Replacement Installation Instructions

C. Remove Support Rails




- Release support rails from luminaire body by unscrewing the mounting screws.
- Remove support rails (8 per luminaire body) and set aside.

D. Replace LED Boards

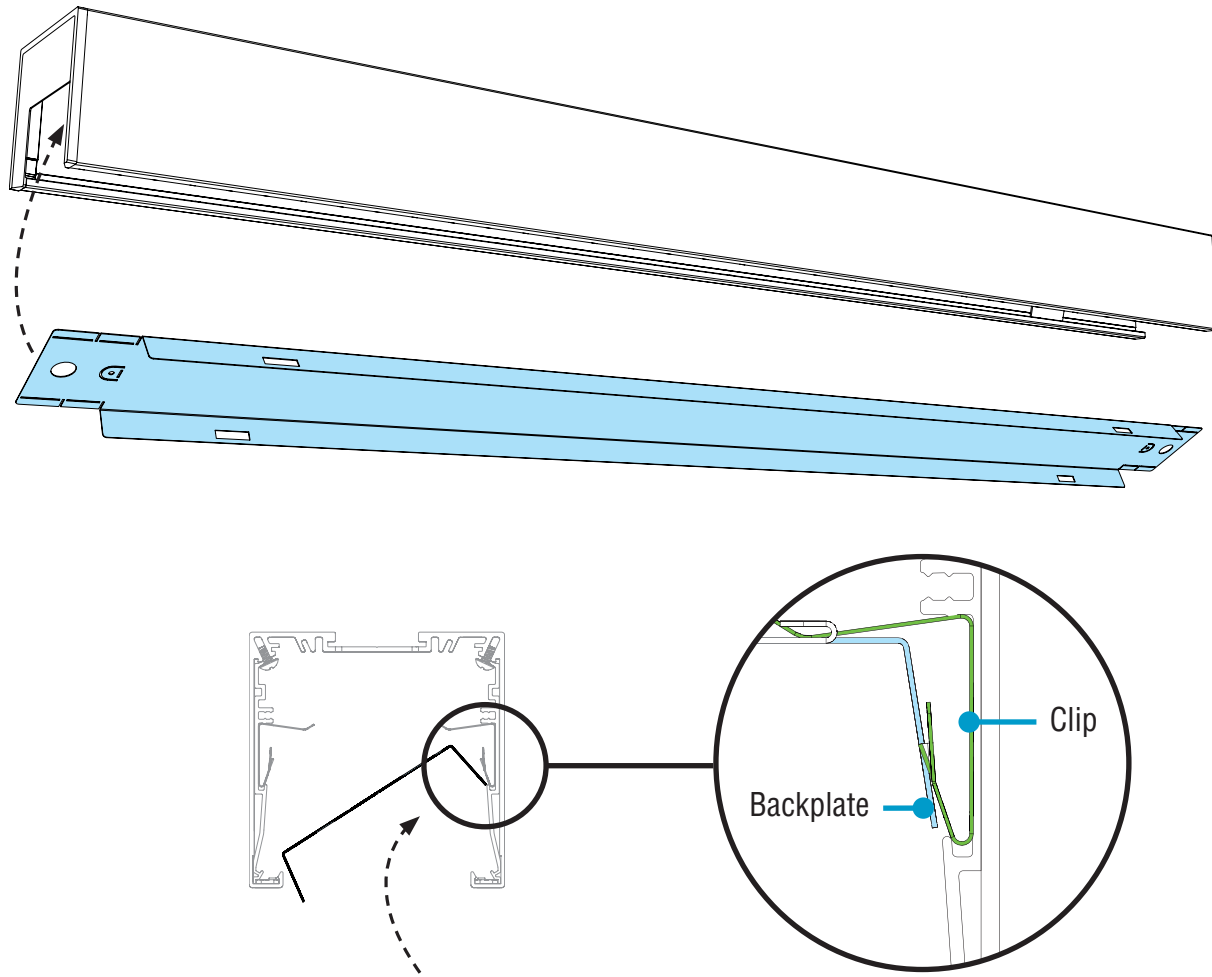


- Ensure power to luminaire is turned off prior to removing LED boards.
- Remove LED boards and replace with new.
- Replace support rails and secure with mounting screws.

 **Mounting Screws**
#8-18 x 1/2"

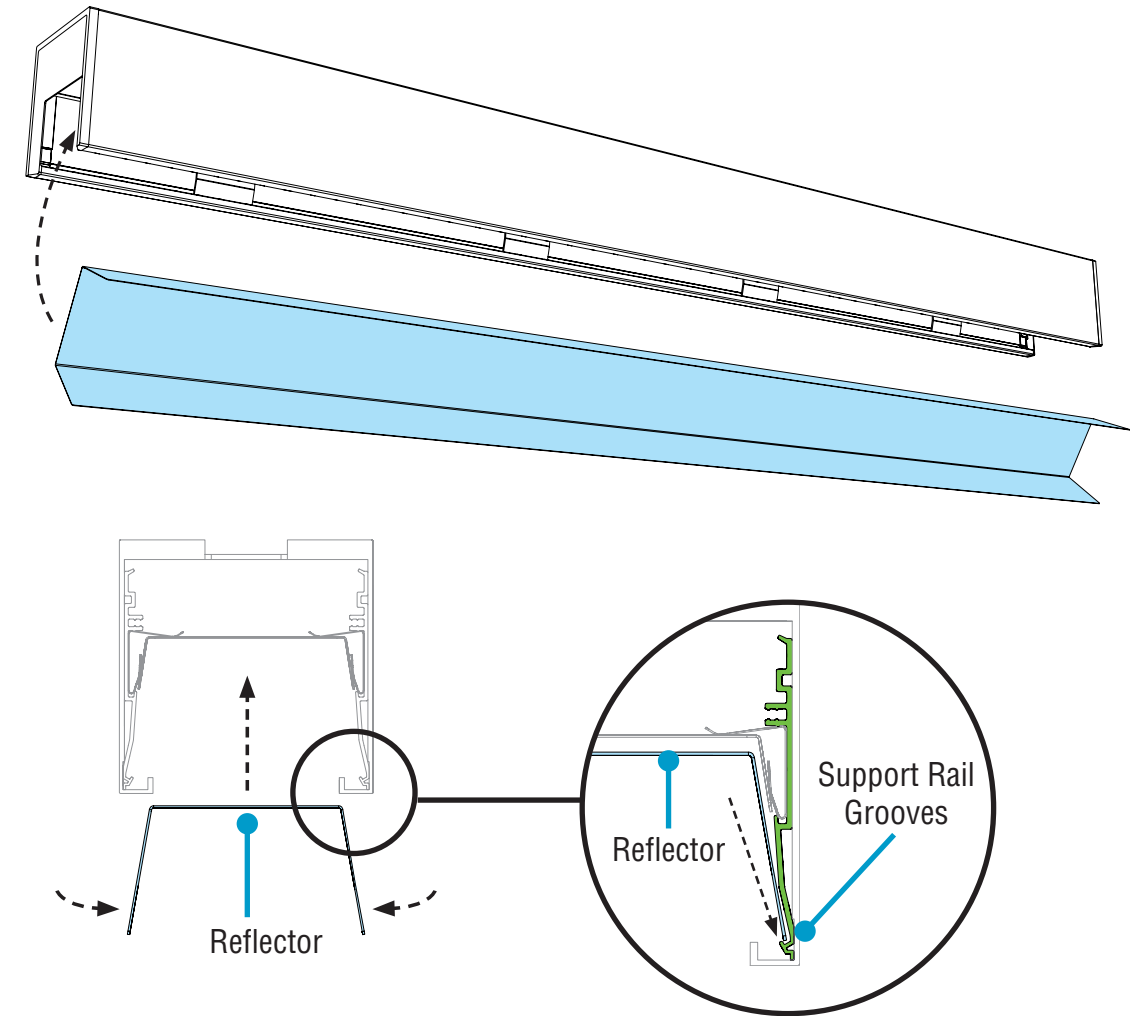
H04 Light Engine Replacement Installation Instructions

E. Replace Backplate



- Replace backplates by rotating back into luminaire body and snap into clips.

F. Final Step - Replace Reflector



- Carefully replace reflector by squeezing sides and inserting into luminaire body. Ensure reflector is pulled down so that the bottom edges catch the groove of the support rail.
- **NOTE:** Reflectors installed in joiner and ender luminaires are 1/4" longer. When installing the reflectors, overlap the reflector of the previous luminaire section by 1/4".
- Turn power on to luminaires.