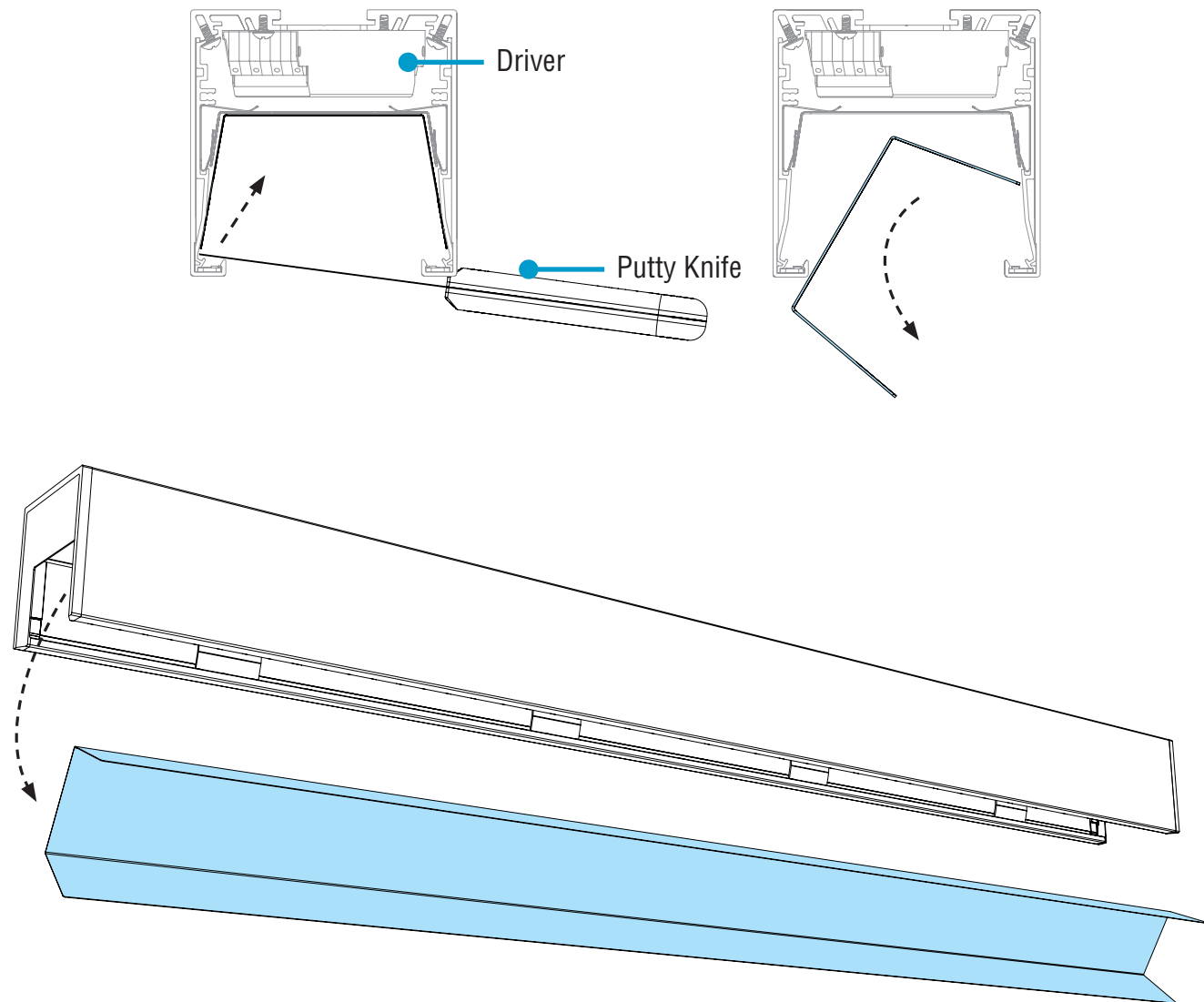


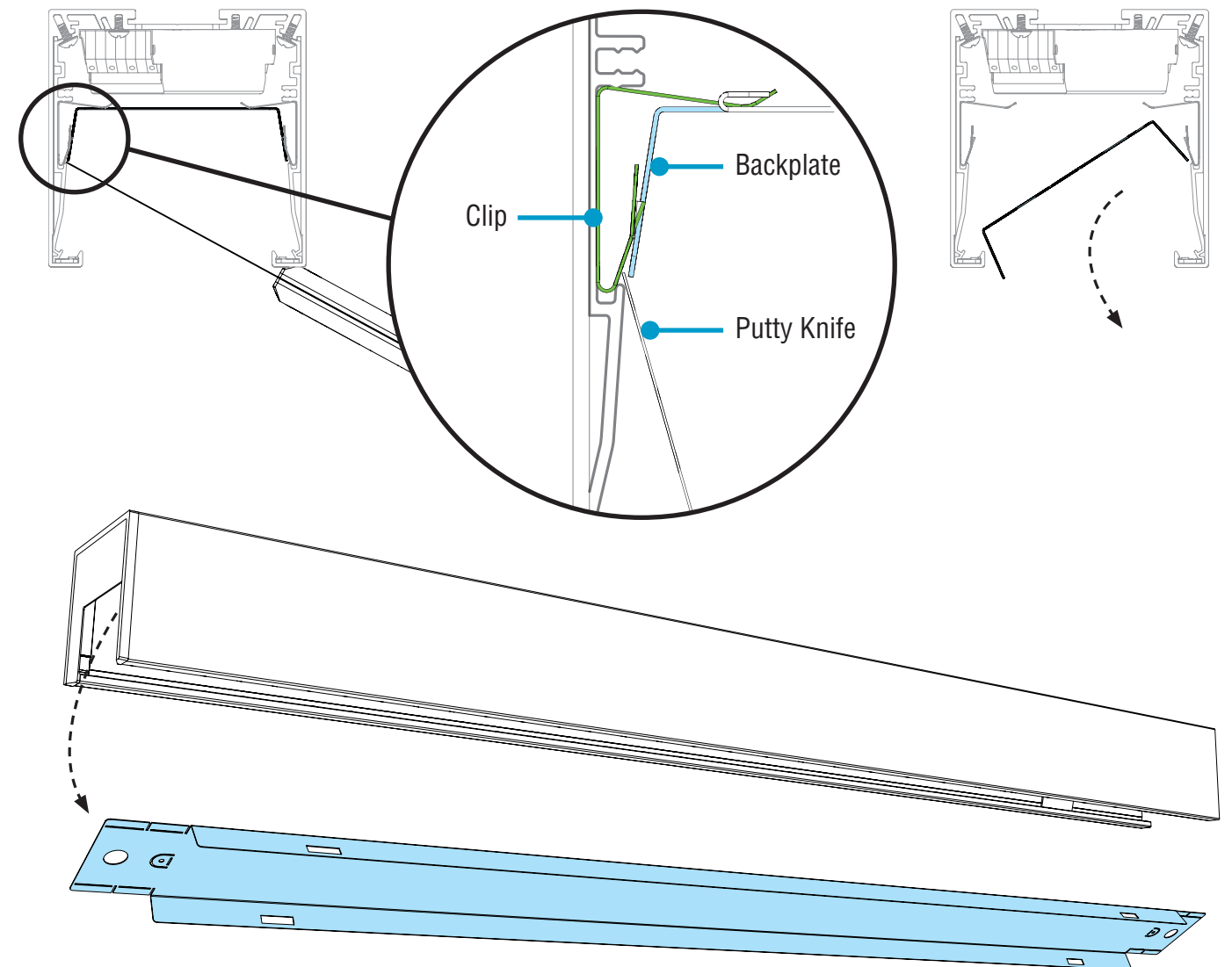
H04 Driver Replacement Installation Instructions

A. Remove Reflector



- Remove reflector by carefully placing a flat edge (such as a clean putty knife) between the reflector and luminaire body.
- Push slightly up, and angle out.

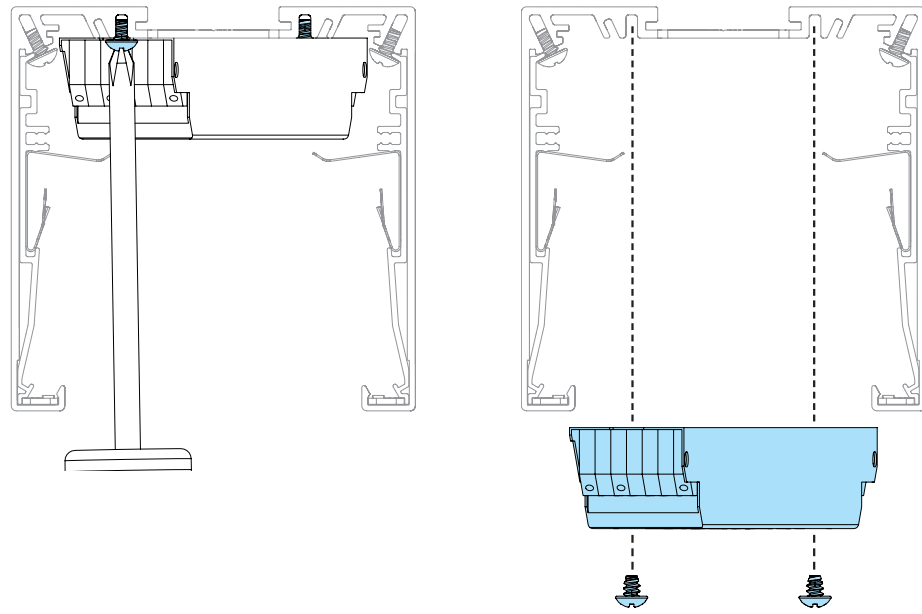
B. Remove Backplate



- Use putty knife to slip behind backplate edges and release backplates from clips (4 clips per backplate).

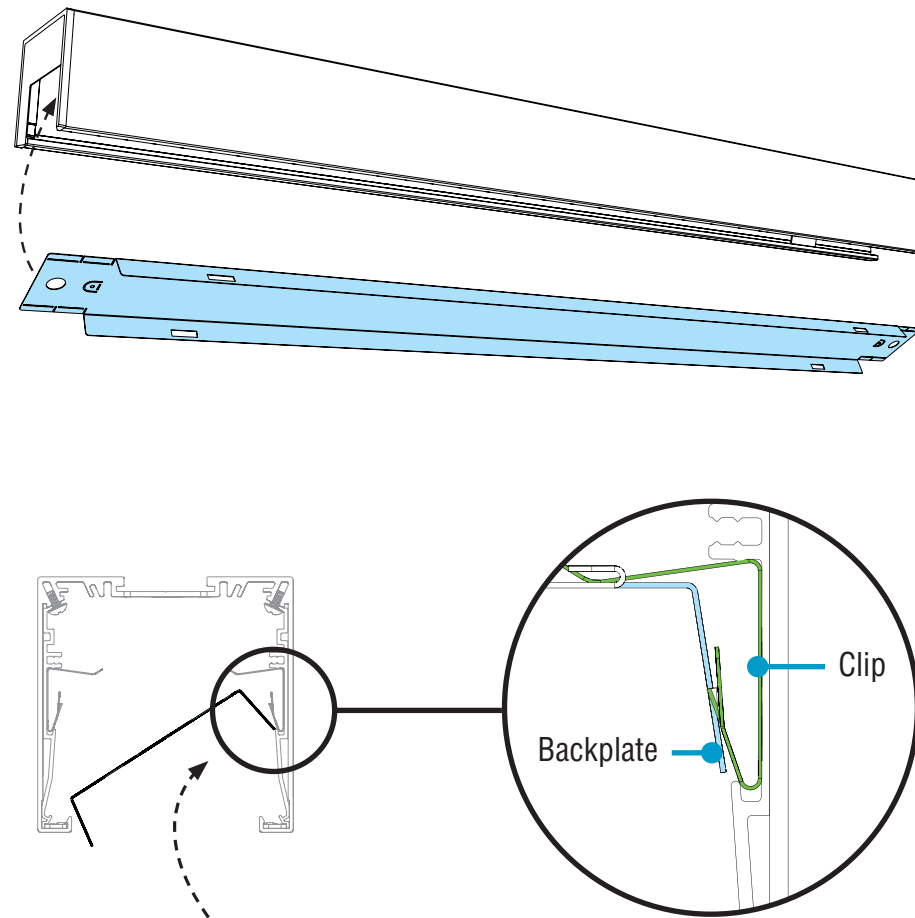
H04 Driver Replacement Installation Instructions

C. Replace Driver



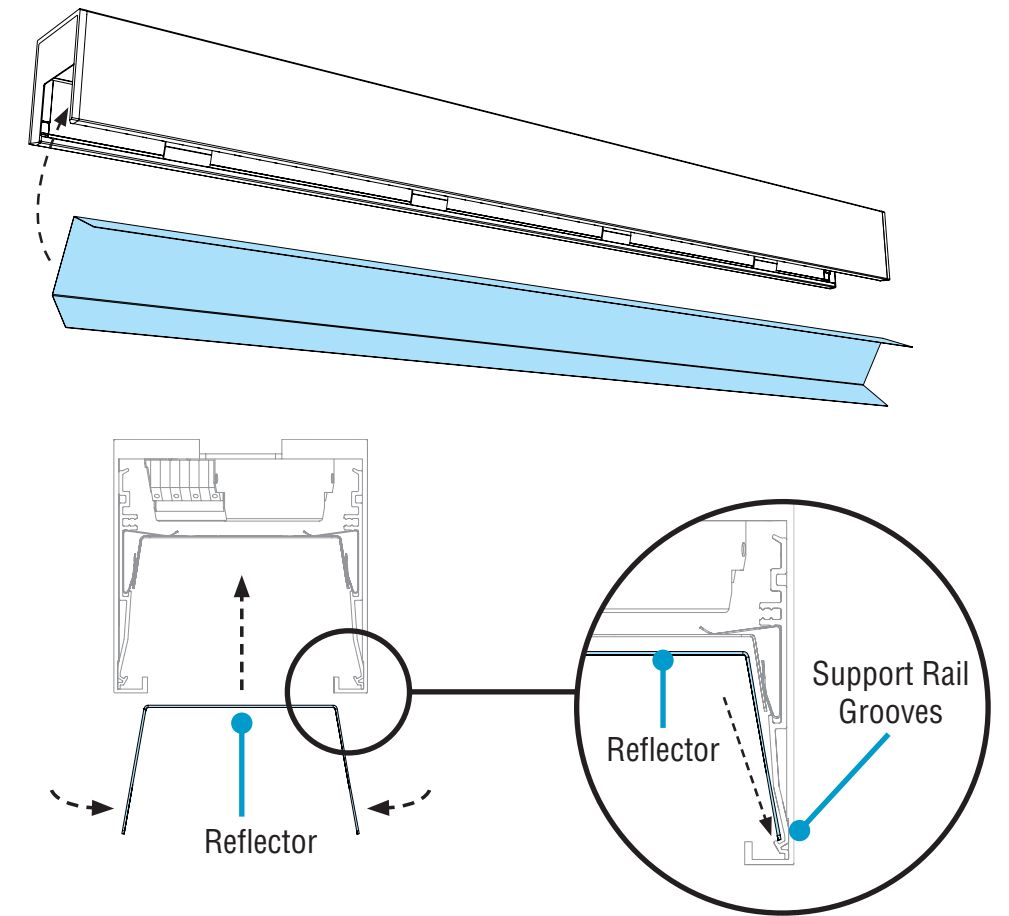
- Disconnect unit from power before disconnecting driver.
- Release driver from luminaire body by unscrewing the two mounting screws.
- Remove driver to replace with new one. Replace mounting screws.

D. Replace Backplate




- Replace backplates by rotating back into luminaire body and snap into clips.

E. Final Steps - Replace Reflector



- Carefully replace reflector by squeezing sides and inserting into luminaire body.
- Ensure reflector is pulled down so that the bottom edges catch the groove of the support rail.
- **NOTE:** Reflectors installed in joiner and ender luminaires are 1/4" longer.
- When installing the reflectors, overlap the reflector of the previous luminaire section by 1/4".
- Turn power on to luminaires.

 **Mounting Screws**
#8-18 x 1/4"