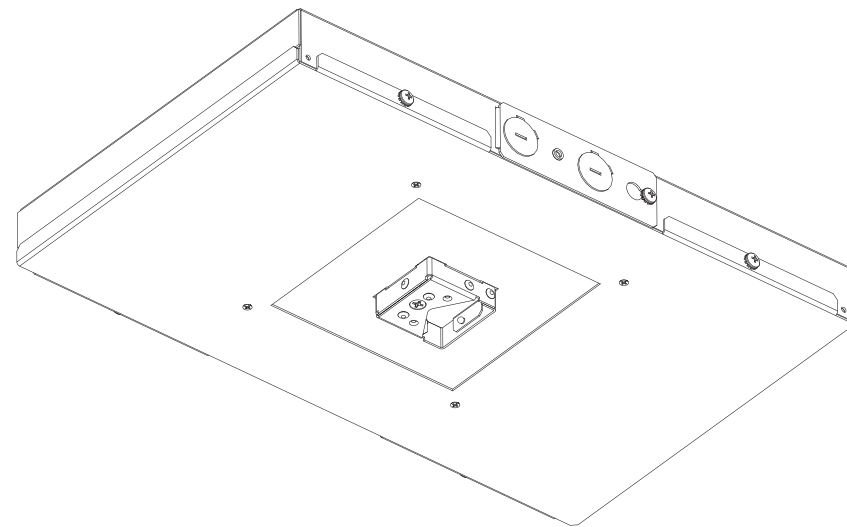


E2 Indirect/Direct Linear With 3" Canopy Driver Replacement Instructions

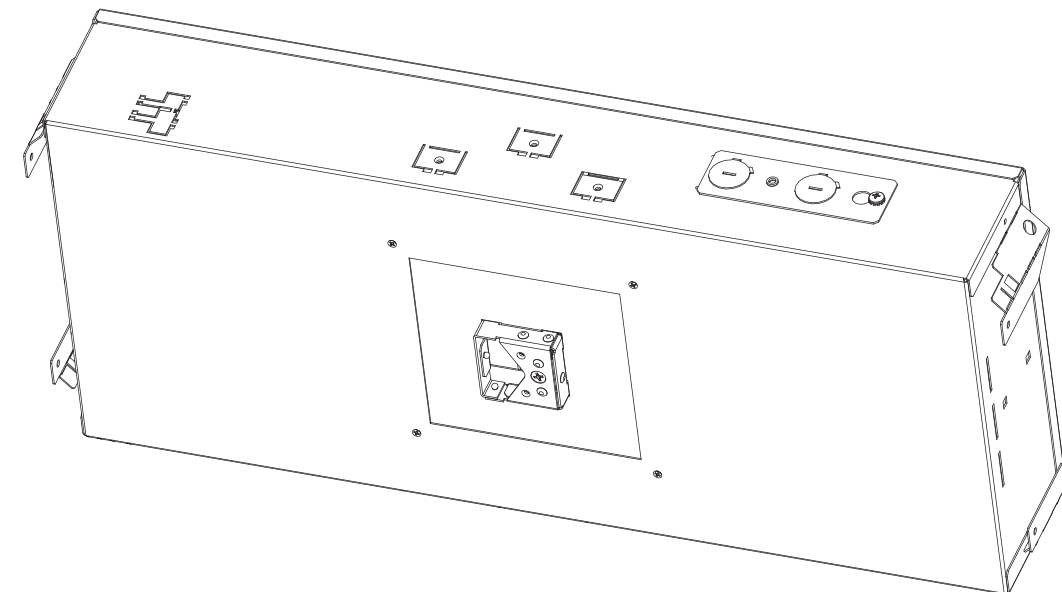
Overview

FINELITE[®]
Better Lighting

NOTE | All power connections should be installed according to local/national codes by a Certified Electrician.



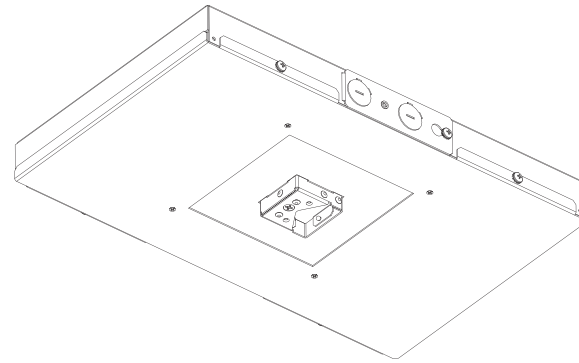
Low Profile T-Bar Power Supply Box (P04)
Page 2



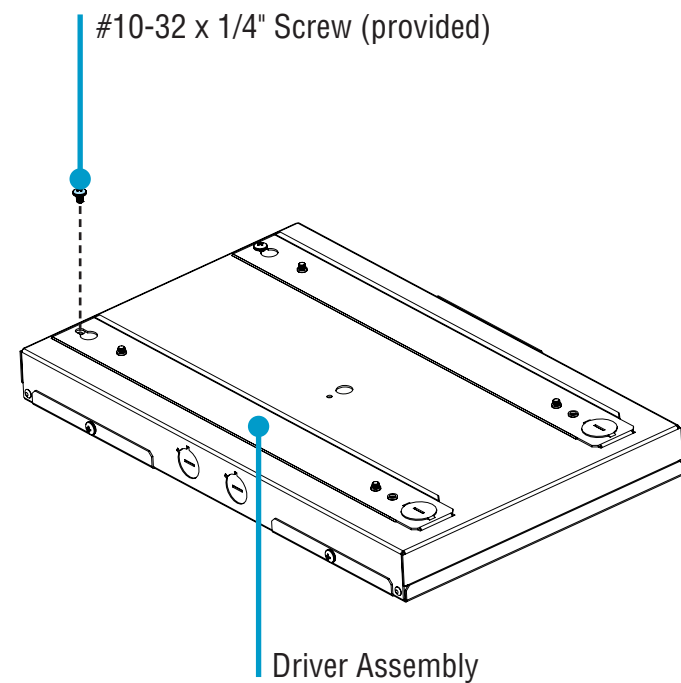
Large Capacity T-Bar Power Supply Box (P05)
Page 3

E2 Indirect/Direct Linear With 3" Canopy Driver Replacement Instructions

Low Profile T-Bar Power Supply Box

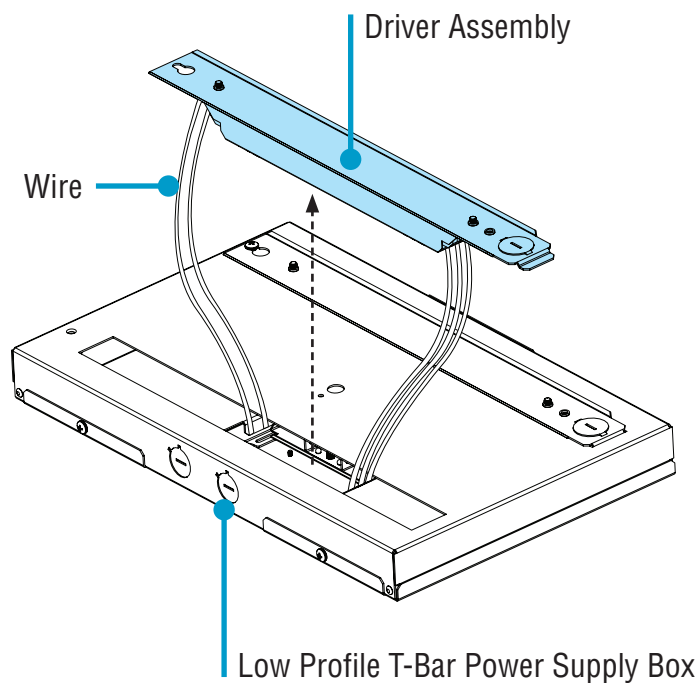


A. Remove #10-32 x 1/4" Screw Top View



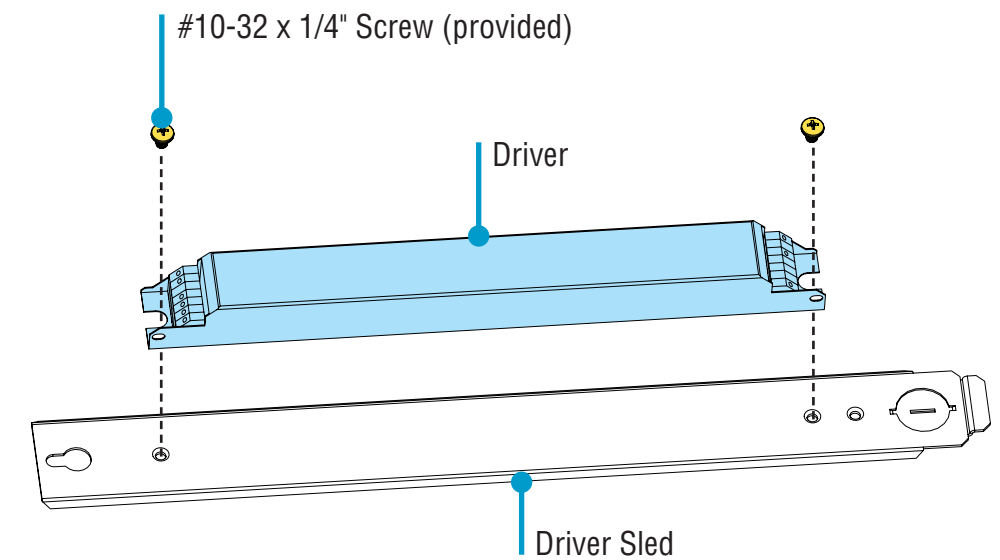
- Turn power off to luminaire.
- Remove #10-32 x 1/4" screw from driver assembly.

B. Remove Driver Assembly Top View

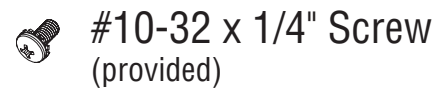


- Remove driver assembly from low profile T-Bar power supply box.
- Release wires from driver.

C. Remove & Replace Driver Side View

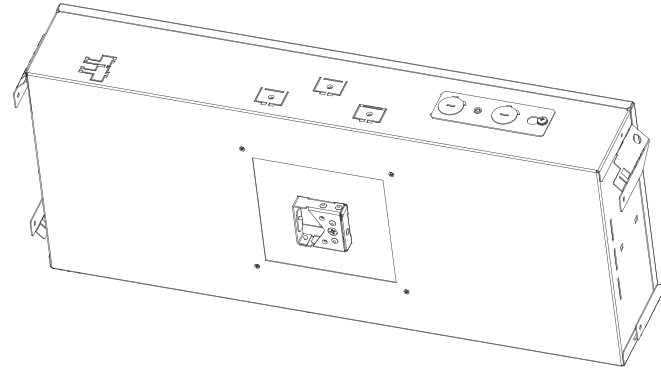


- Remove #10-32 x 1/4" screws from driver assembly.
- Remove old driver and replace with new driver.
- Replace #10-32 x 1/4" screws.
- Reconnect wires to driver.
- Replace driver assembly back into low profile T-bar power supply box.
- Replace #10-32 x 1/4" screw to secure driver assembly.
- Turn power on to luminaire.

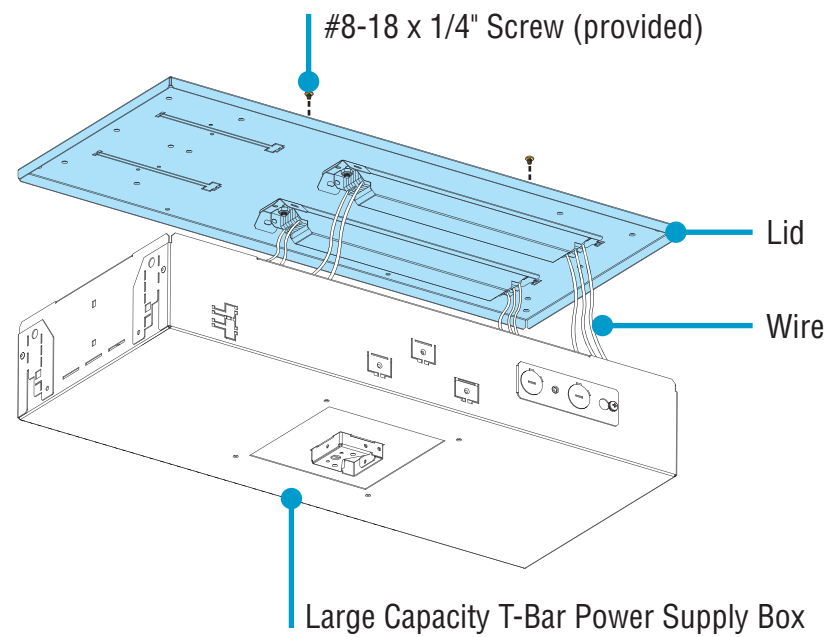


E2 Indirect/Direct Linear With 3" Canopy Driver Replacement Instructions

Large Capacity T-Bar Power Supply Box

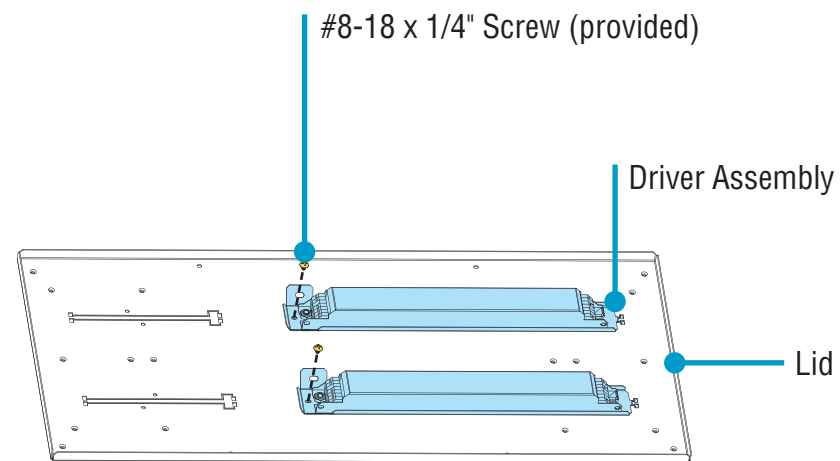


A. Remove Lid Top View



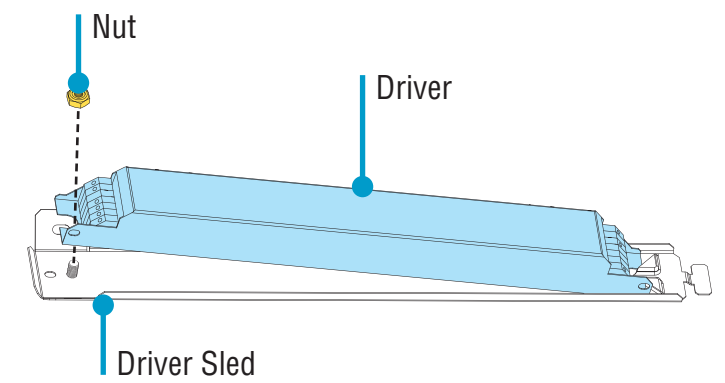
- Turn power off to luminaire.
- Remove #8-18 x 1/4" screws and lid from large capacity T-Bar power supply box.
- Release wires from driver.

B. Remove Driver Assembly Bottom-Up View



- Remove #8-18 x 1/4" screw to release driver assembly.
- Remove driver assembly from lid.

C. Remove & Replace Driver Side View



- Remove nut from driver assembly.
- Remove old driver and replace with new driver.
- Replace nut.
- Replace driver assembly back onto lid.
- Replace #8-18 x 1/4" screw to secure driver assembly.
- Reconnect wires to driver.
- Replace lid and #8-18 x 1/4" screws.
- Turn power on to luminaire.

