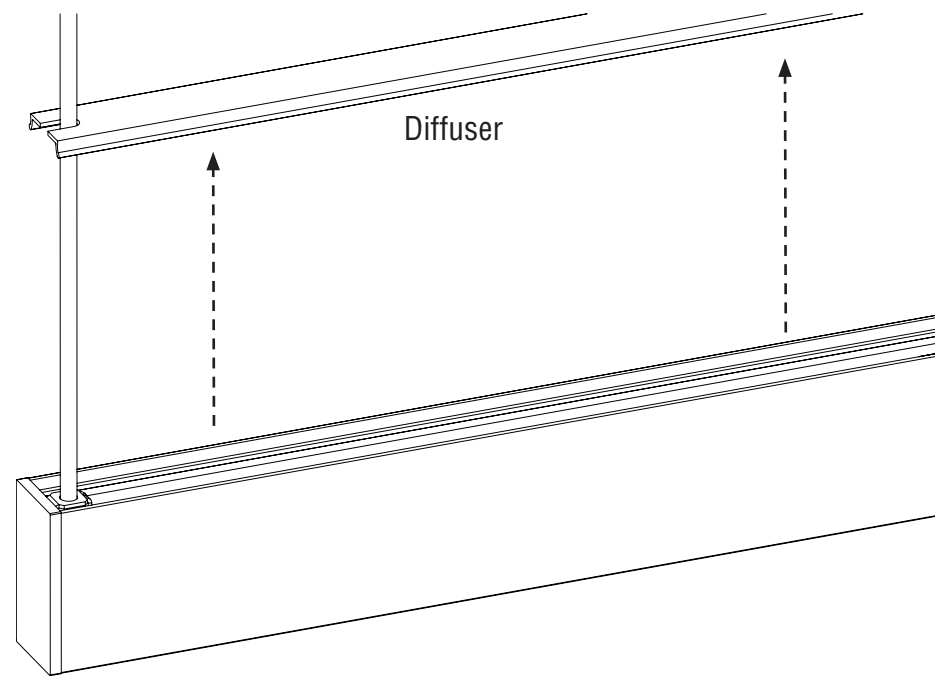


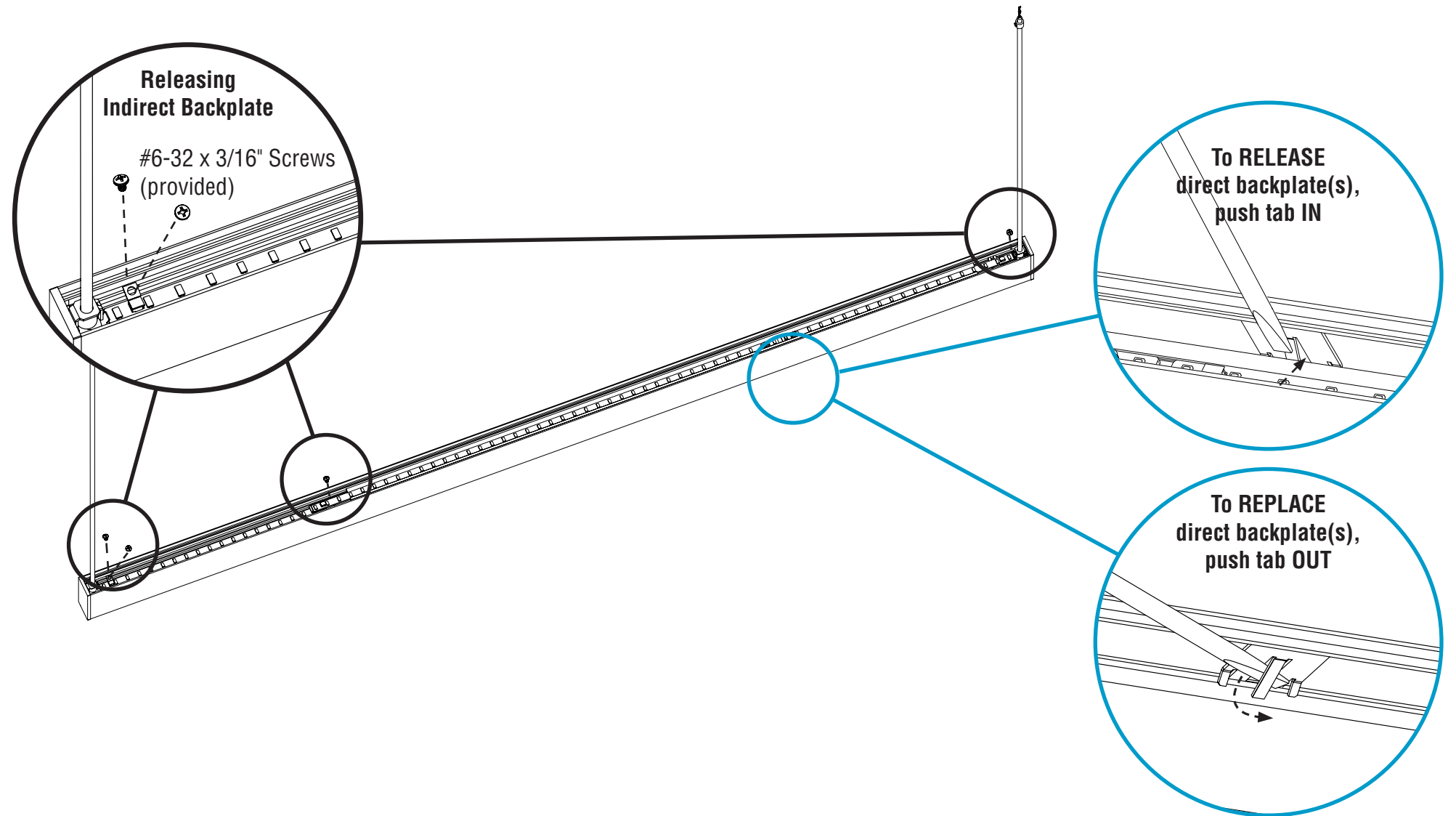
E2 Indirect/Direct Linear Engine Replacement Installation Instructions

A. Remove Diffuser Side View




Turn power off to luminaire. Remove diffuser from luminaire and set aside to prevent from getting dirty or damaged.

B. Unscrew Backplates Top View

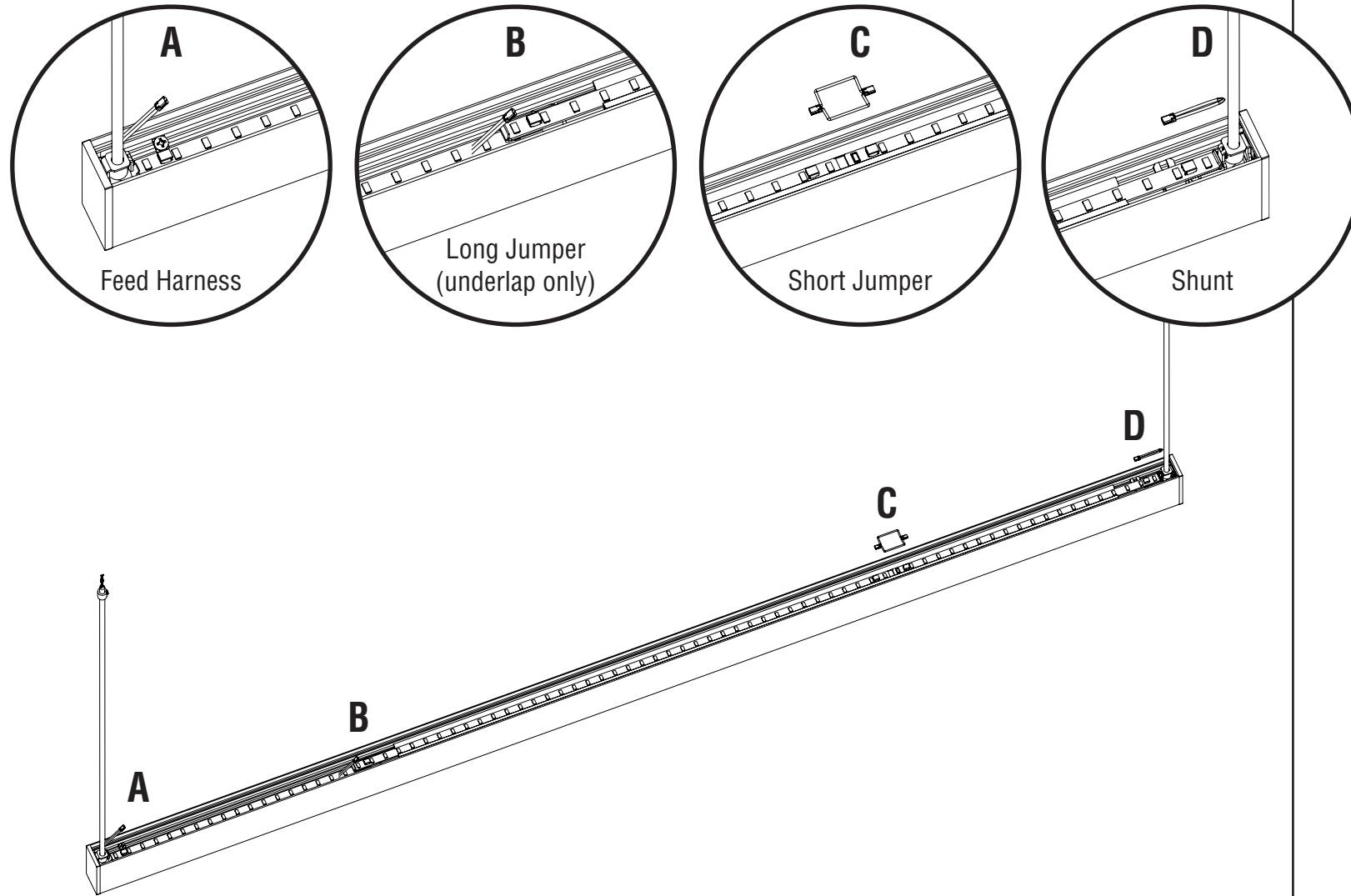


INDIRECT BACKPLATE - To Release: Unscrew #6-32 x 3/16" screws to release backplate and underlap backplate. **DIRECT BACKPLATE - To Release:** Use a flathead screwdriver to push in the tab of the clips that hold the backplates. **To Replace:** Use flathead screwdriver to pry tab **OUT** so that the backplates snap back into place.

 #6-32 x 3/16" Screws
(provided)

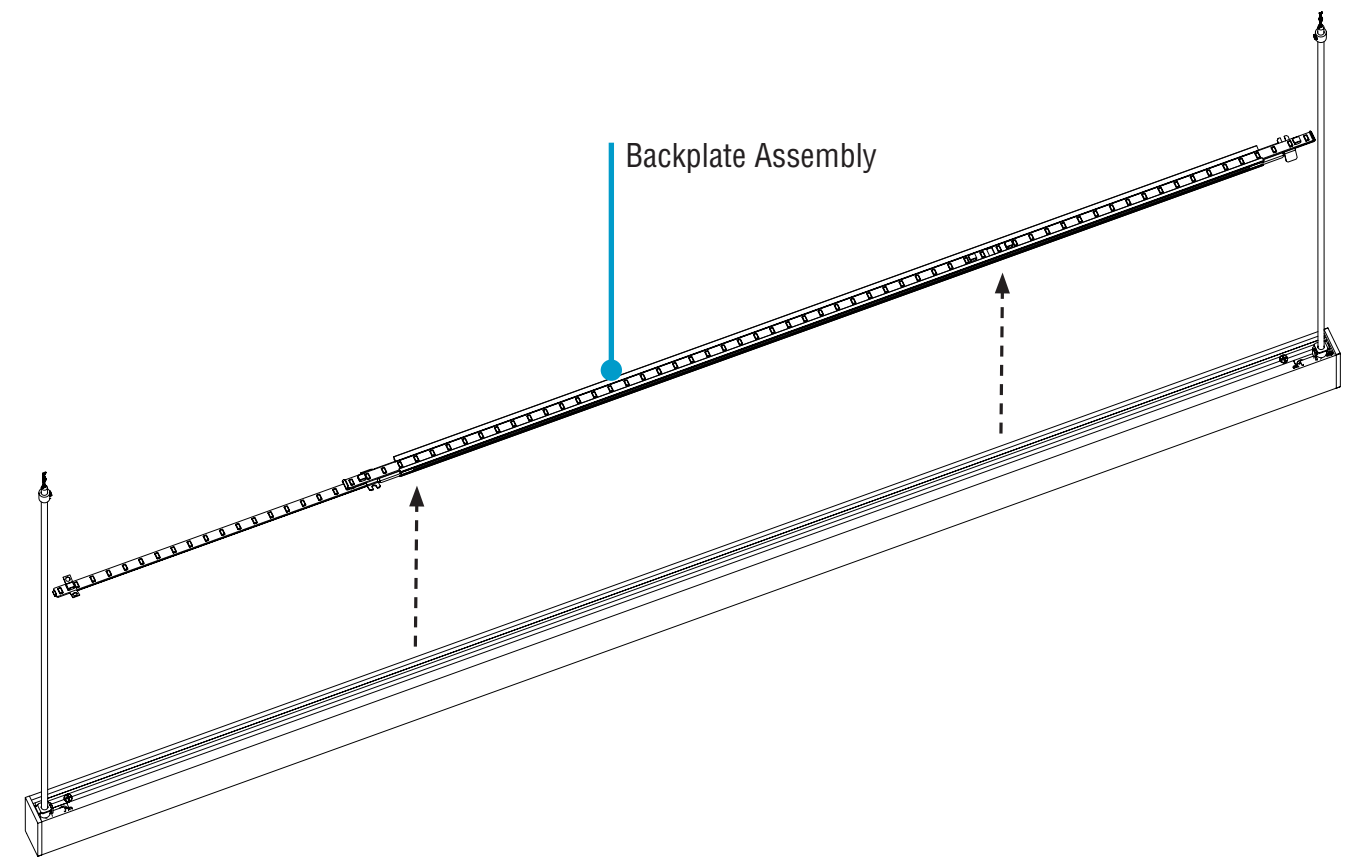
E2 Indirect/Direct Linear Engine Replacement Installation Instructions

C. Remove Electrical Connections Top View



Disconnect electrical connections. The direct backplate requires the same electrical disconnections. **CAUTION:** Do not lose these pieces.

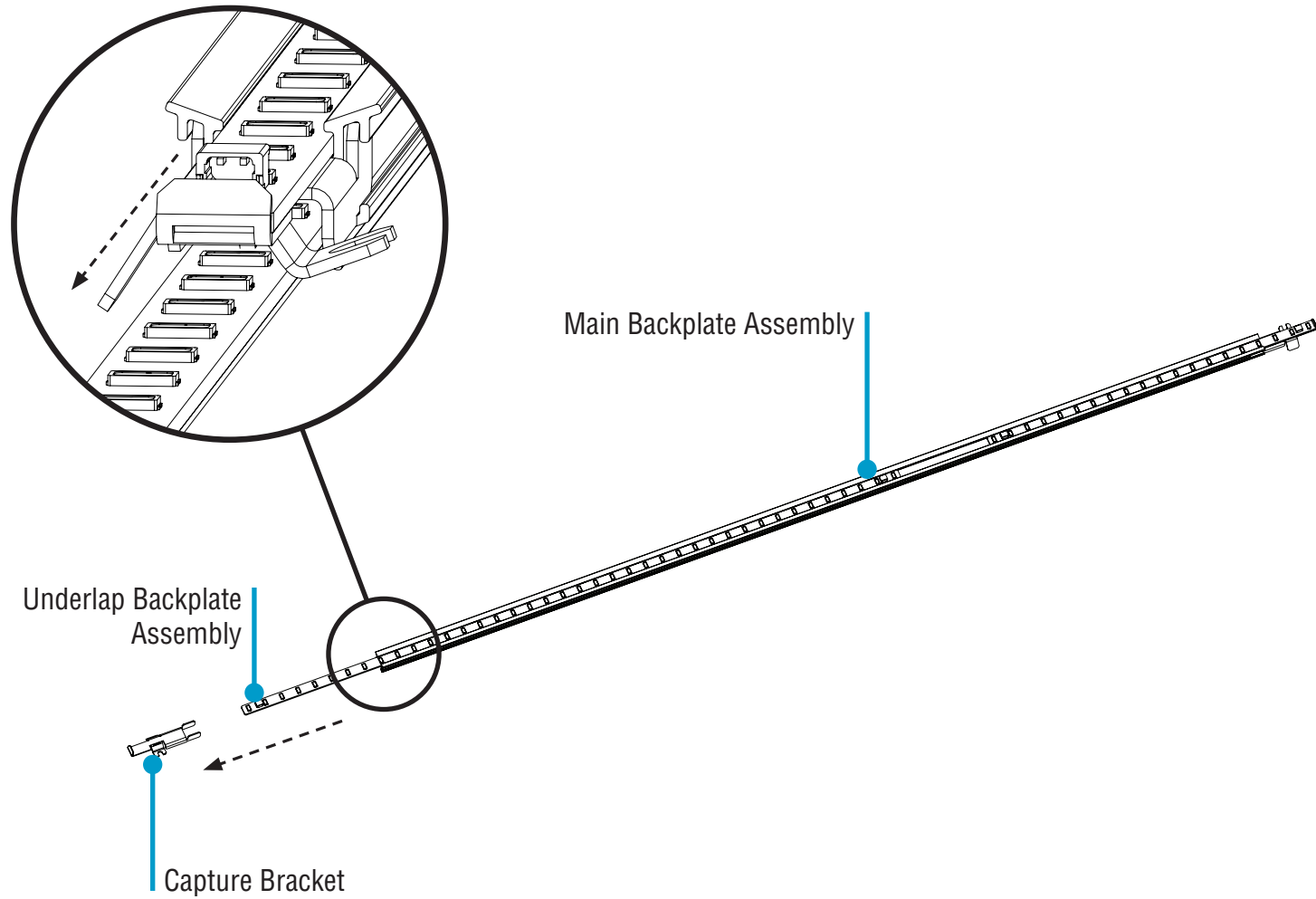
D. Remove Backplate Assembly Top View



Lift backplate assembly from luminaire body.

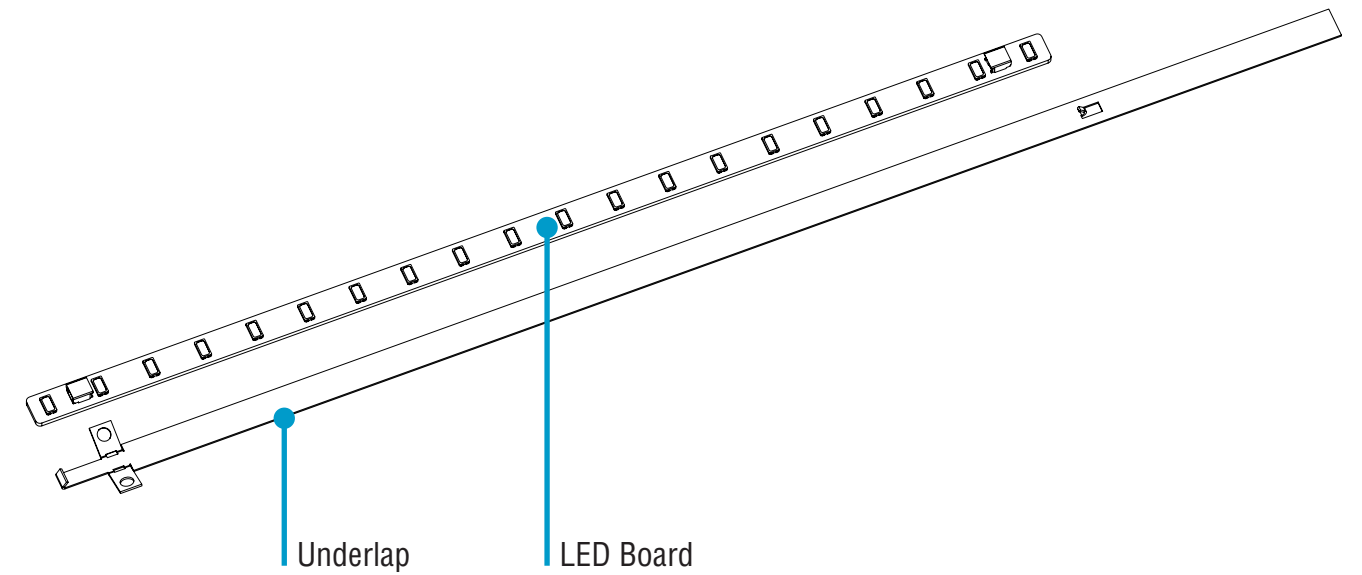
E2 Indirect/Direct Linear Engine Replacement Installation Instructions

E. Slide Out Underlap Top View



Slide out capture bracket to release the underlap backplate assembly from the main backplate assembly.

F. Remove LED Board from Underlap Top View



Remove LED board from underlap and replace with new engine. Repeat steps for direct engines. Reverse all steps to restore luminaire.