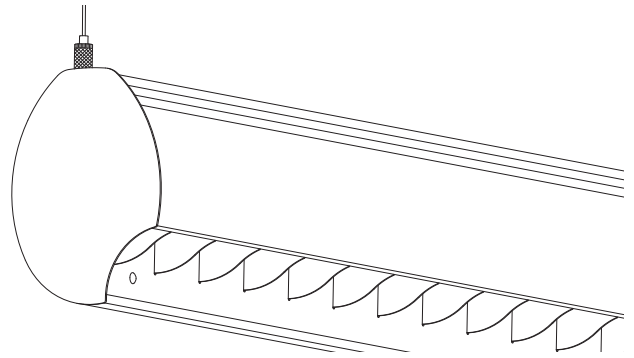


Project _____

Firm Name _____

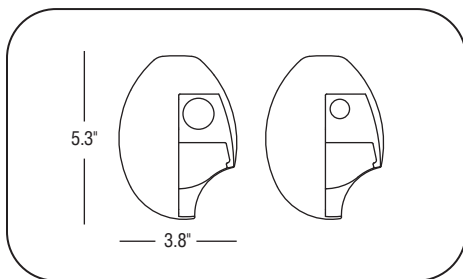
Date _____ Type _____

Series X2-0 is an asymmetric wall wash luminaire that provides very even illumination on vertical surfaces. The oval-shaped luminaire is available in 4', 8', and 12' lengths and comes standard in 1 T8, T5 or T5HO lamp cross-sections. Series X2-0 is ideal for use in schools, offices, and retail where increased footcandle levels on whiteboards, artwork, or displays is required.



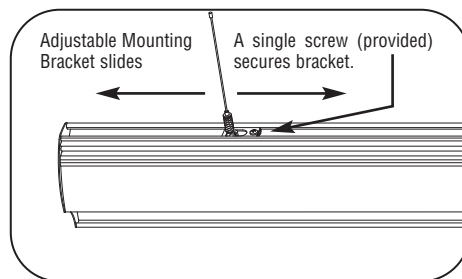
Series X2-0 is standard with a 25-cell cross blade baffle painted with 96% reflective white paint.

FEATURES



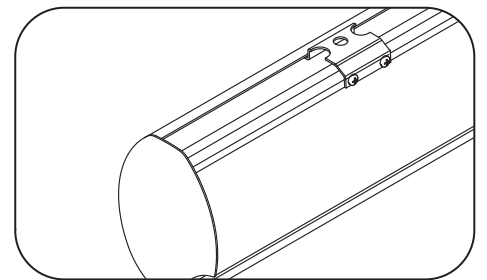
LAMPING

Available in 1 T8, T5 or T5HO lamp cross sections.



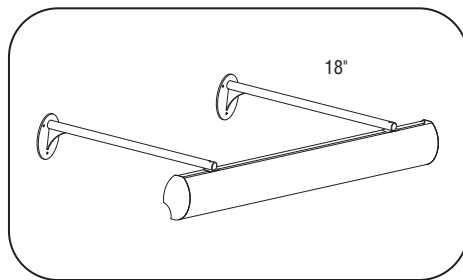
ADJUSTABLE MOUNTING

Mounting points adjust along the entire length of the luminaire for added installation flexibility.



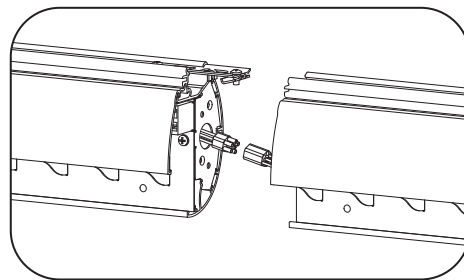
OPTIONAL SURFACE MOUNT

Series X2 can be mounted directly to the ceiling using optional surface mount brackets.



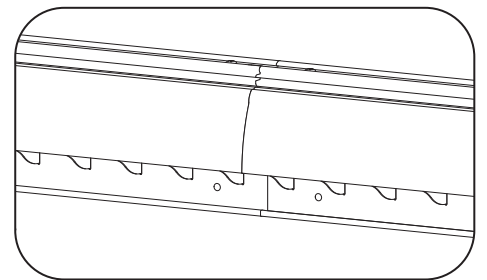
OPTIONAL WALL MOUNT

Optional wall mount bracket extends fixture 18" from the wall. Other lengths are available. Consult factory.



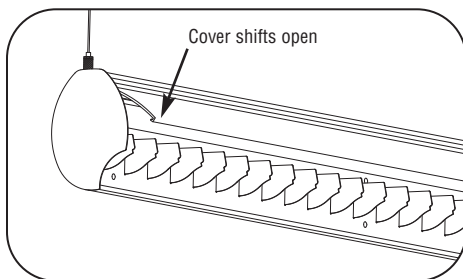
PLUG-TOGETHER WIRING

Standard plug-together wiring comes factory installed for fast, affordable installations.



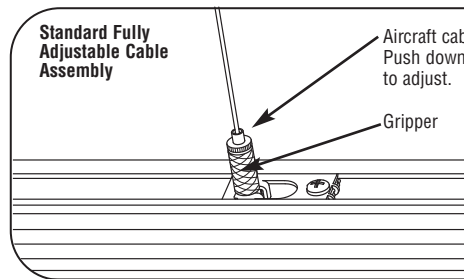
STRONG JOINTS

Joints are strong and tight and free of exposed fasteners.



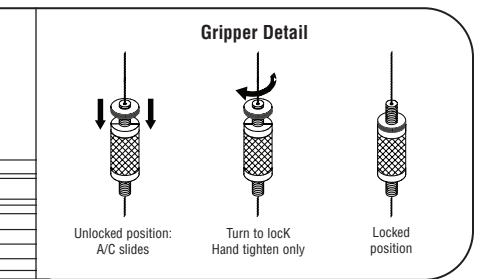
LIFT & SHIFT LAMP COVER

Lamp compartment cover (96% reflective) shifts into open position to facilitate lamp changing or fixture maintenance.



STANDARD FA FIXTURE SUPPORT

Standard mounting is a fully adjustable cable. Depress the head of the fitting to allow continuous adjustment of the cable length, turn locking nut to secure. Comes with safety bar for added security.

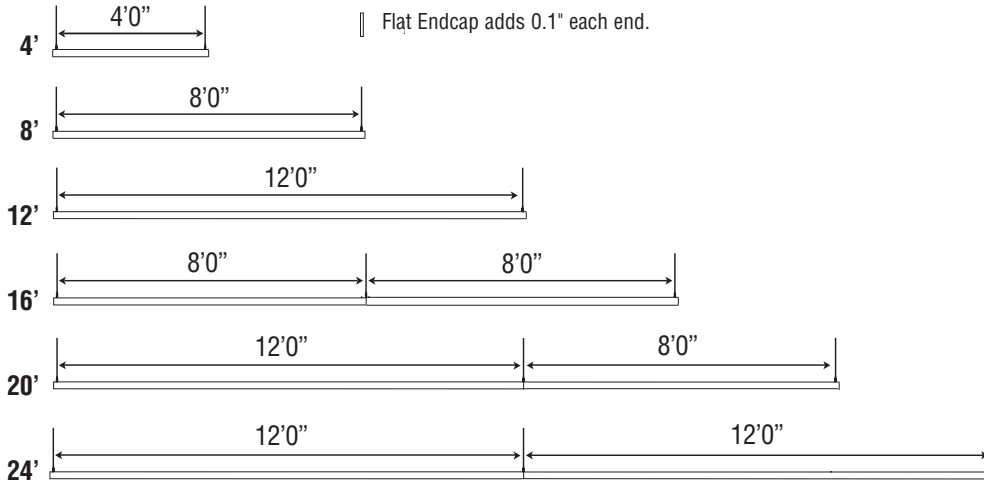


Unlocked position:
A/C slides

Turn to lock
Hand tighten only

Locked
position

Series X2-0 is available in the lengths shown below.



Modular section lengths offer standard 4'0", 8'0" and 12'0" support spacing that aligns with grid ceiling systems.

Additional 4', 8' or 12' segments can be added to create runs as long as required.

SPECIFICATIONS

CONSTRUCTION: Body is 6063-T6 extruded aluminum with plug-together wiring standard. End brackets are constructed of 18-gauge steel. All components are hard-tooled to tolerances of 0.010".

ENDCAPS: (FE) Flat endcap standard, 18 gauge die-formed steel, adds 0.1" at each end. No exposed fasteners, holes, or knockouts.

REFLECTORS: (96W) Optical chamber is finished with 96% reflective white paint standard. Standard with white cross-blade baffles.

ELECTRICAL: 120 or 277V prewired. Fixture and electrical components UL/C-UL listed and fixture will bear UL/C-UL labels. Optional Adders: 347V ballast, emergency circuits, emergency battery packs. Contact factory.

LAMPING: Available in 1 T8, T5 or T5HO lamp cross sections.

BALLAST: Electronic instant-start ballast <10% THD, .88 BF standard for T8 lamps. Electronic rapid-start ballasts <10% THD, 1.0 BF standard for T5/T5HO lamps. Optional adders: rapid-start ballasts (standard for T5/T5HO), 347V, emergency battery packs, dimming ballasts (controls by others).

MOUNTING OPTIONS: (FA) Standard fully adjustable aircraft cable with safety stop in lengths up to 150". Optional (AC) semi-adjustable aircraft cable ($\pm 0.5"$) in lengths of 12", 15", 18", 21", 24", 27", 30", and 36".

Optional: (SM) Surface Mount mounts directly to the ceiling and requires optional mounting brackets.

Optional: (WM) Wall Mount bracket mounts directly to wall, extends fixture 18" from wall.

SUPPORT CABLES: Plated steel cable and hardware.

FEED: 18 gauge straight cord. 14 gauge feed cord used when fixture current exceeds 5 amps. Optional Adders: Coil Cord Feed.

FINISHES: Finelite Signal White powder coat finish standard with 96W finish on lamp compartment door. Optional Adders: 185 colors available from Tiger Drylac's RAL color chart.

LENGTHS: 4', 8', and 12' section lengths can be combined to make longer runs. Contact factory for additional lengths.

WEIGHT: Fixture weight = 2.0 lb/ft.

ORDERING GUIDE

SX2-0 - 32' - 1T8 - SC - 96W - 277 - FA - FE - C1 - .88

Finelite **Series X2-0 (Oval)** _____

Run length (4', 8', 12' multiples standard) _____

Number of lamps in cross section (1 T8, T5, or T5HO) _____

Circuiting (SC-single circuit) _____

Reflector system (96W) _____

Voltage (120, 277, 347V) _____

Mounting (FA/AC/SM/WM) _____

Endcap FE (flat) _____

Ceiling type (C1-1" T-bar, C2-9/16" T-bar, C3-Slot Grid, C4-Hard Ceiling) _____

Ballast factor (Standard .88 for T8 lamps, 1.0 for T5 or T5HO) _____