

FINELITE

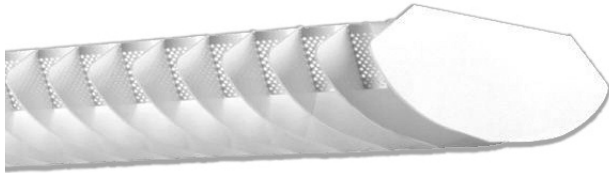
Series 2 Technical Sheet

Date

Project

Type

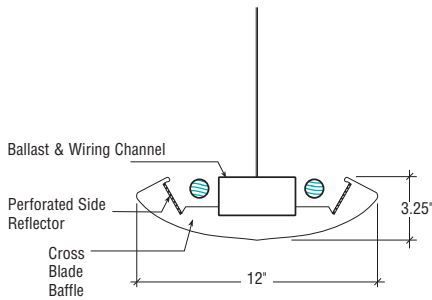
Comments



Finelite Brite White is standard finish

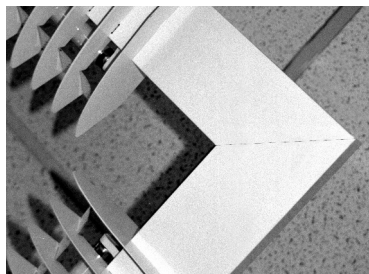
DESCRIPTION

Series 2 was designed with public spaces in mind such as schools, retail stores, specialty boutiques and open areas. Distributing 65% uplight and 35% downlight, the contemporary design of Series 2 uses brightness to draw in traffic.



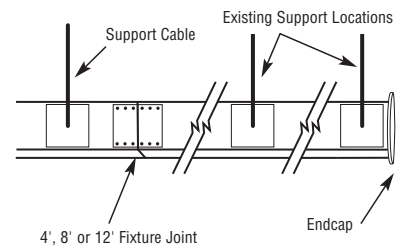
DIMENSIONS / LAMPING: SERIES 2 REFLECTOR SYSTEM

Combines uplight, downlight, and wall wash lighting to light a space, reducing the need for any specialty lighting, like track spots. This fixture can produce in excess of 50 footcandles maintained at approximately 1 watt per square foot.



90° CORNERS:

Optional 90° corner allows fixtures to accommodate unique spaces.

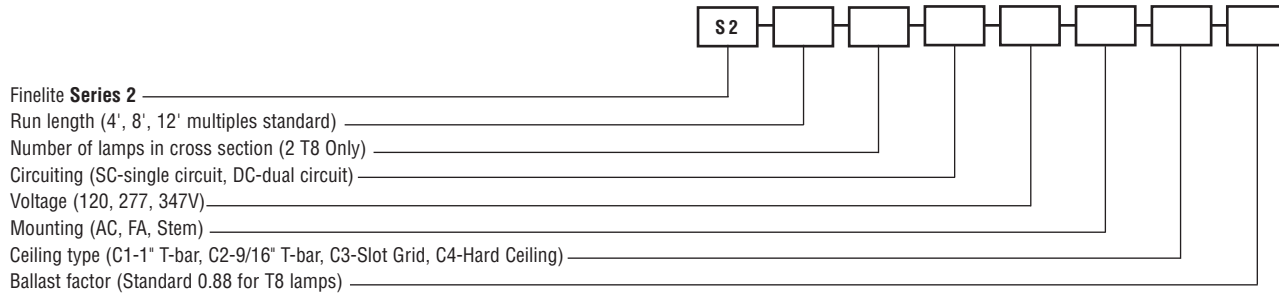


OPTIONAL MOUNTING:

Optional movable plates available for mounting to existing supports. [Not on 8 0 or 12 0 spacing.]

ORDERING GUIDE

Sample Number: S2 - 32' - 2T8 - SC - 277 - AC 18" - C1 - 0.88



- Finelite **Series 2** _____
- Run length (4', 8', 12' multiples standard) _____
- Number of lamps in cross section (2 T8 Only) _____
- Circuiting (SC-single circuit, DC-dual circuit) _____
- Voltage (120, 277, 347V) _____
- Mounting (AC, FA, Stem) _____
- Ceiling type (C1-1" T-bar, C2-9/16" T-bar, C3-Slot Grid, C4-Hard Ceiling) _____
- Ballast factor (Standard 0.88 for T8 lamps) _____

FINELITE

Series 2 Technical Sheet

PHOTOMETRY



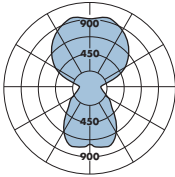
S2: 2 T8

Distribution: 66% Up / 34% Down

Efficiency: 79.8%

Peak Candela Value: 969@ 165°

LSI Report 40617



CANDLEPOWER SUMMARY						
	0.0	22.5	45.0	67.5	90.0	Flux
0	792	792	792	792	792	
5	777	783	789	794	800	75
15	670	700	753	814	847	213
25	523	576	667	742	774	303
35	370	436	505	579	622	314
45	210	272	337	420	467	265
55	129	148	209	289	329	197
65	79	90	118	202	261	145
75	43	50	66	131	193	97
85	12	20	39	97	138	65
90	1	23	60	114	137	
95	26	74	113	170	178	129
105	167	236	275	320	319	284
115	333	404	437	489	485	431
125	492	567	583	611	608	518
135	635	715	723	732	725	550
145	749	821	837	840	832	515
155	839	877	932	932	925	417
165	891	905	935	956	969	264
175	915	913	913	912	917	87
180	910	910	910	910	910	

— Refer to www.finelite.com for additional photometry and product information.

SPECIFICATIONS

CONSTRUCTION: Body is 20-gauge die-formed steel with 18-gauge die-formed internal joiner system, plug-together wiring standard. All components are hard-tooled to tolerances of 0.010".

ENDCAPS: Finelite Brite White Standard, 96% reflective.

REFLECTORS: Die-formed, perforated prepainted aluminum, standard (91W).

SUPPORT CABLES: Plated steel cable and hardware.

MOUNTING OPTIONS: Semi-adjustable aircraft cable, (AC) ± 0.5" in lengths of 12", 15", 18", 21", 24", 27", 30", and 36". Order length, e.g., AC 18". Optional Adders: fully adjustable aircraft cable (FA) in lengths up to 150". Rigid stems (Stem).

FINISHES: Finelite Brite White Standard, 96% reflective.

LAMPING: Available in 2 T8 lamp cross sections.

FEED: 18 gauge straight cord. 14 gauge feed cord used when fixture current exceeds 6 amps. One feed supplies each run of fixtures. Optional Adders: Coil Cord Feed, Rigid Stem Feed.

SERIES 2 CONFIGURATIONS: Optional: Square and rectangular configurations with 90° corner channel extensions. Mitered 90° corner connector available on 4 x 4 square only. Consult factory.

ELECTRICAL: 120 or 277V prewired. Fixture and electrical components are UL/C-UL listed and fixture will bear UL/C-UL labels. Optional Adders: 347V prewired, dual circuit, emergency circuits, emergency battery packs. Contact factory.

BALLAST: Electronic instant-start ballast <10% THD, 0.88 BF is standard. Specify ballast factor if not standard (contact factory). Optional adders: rapid-start ballasts, 347V, emergency battery packs, dimming ballasts (controls by others).

LENGTHS: 4', 8', and 12' section lengths can be combined to make longer runs.

WEIGHT: Fixture weight = 2.5 lb/ft.

LABELS: Fixture and electrical components are ETL listed conforming to UL 1598 in the U.S.A., and Canada; ETL listed to certified CAN/CSA C22.2 No. 250.0. Fixtures will bear ETL labels.