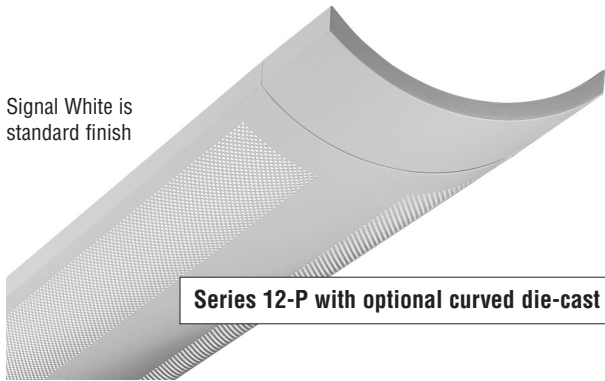


FINELITE

Series 12-P, S12-I Technical Sheet



Signal White is standard finish

Series 12-P with optional curved die-cast endcap.

Date

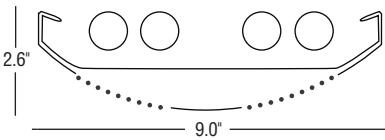
Project

Type

Comments

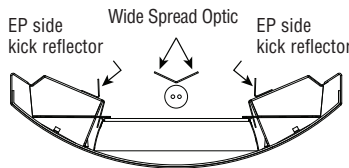
DESCRIPTION

Series 12-P and S12-I have a modern style with pleasing curves and a low profile that add richness to a wide variety of architectural settings. This luminaire uses sophisticated designs and manufacturing techniques to produce a product that is as affordable as it is beautiful. Series 12-P has two rows of perforations while S12-I is 100% indirect. Both are available in 2, 3, and 4 T8 lamps and 1, 2 or 3 T5 or T5HO lamps in 4', 8', and 12' lengths. Available with standard flat endcaps or optional curved die-cast endcaps.



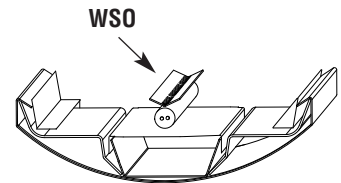
DIMENSIONS / LAMPING:

Available in 2, 3, or 4 T8, and 1, 2, or 3 T5 or T5HO lamps.



WIDE SPREAD OPTICS (WSO):

Special wide spread reflector gives extended distribution and is especially effective in low ceiling areas

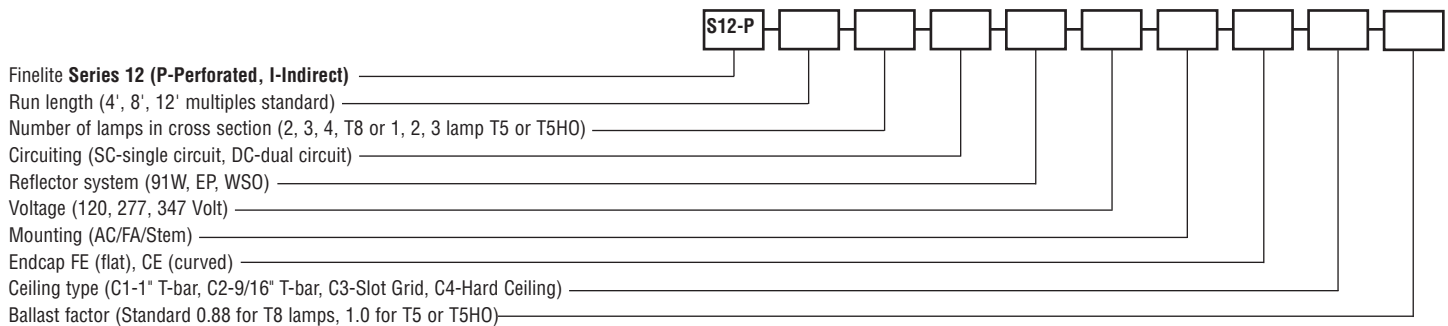


WIDE SPREAD OPTICS (WSO):

Special wide spread reflector gives extended distribution and is especially effective in low ceiling areas.

ORDERING GUIDE

Sample Number: S12-P - 32' - 2T8 - SC - 91W - 277 - AC 18" - FE - C1 - 0.88



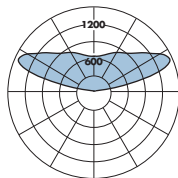
FINELITE

Series 12-P, S12-I Technical Sheet

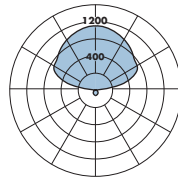
PHOTOMETRY



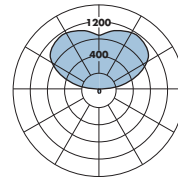
S12-P: 1 T5HO-WSO
 Efficiency: 87.7%
 Peak Candela Value: 1379@ 115°
 LSI Report: 18561



S12-P: 2 T8-91W
 Efficiency: 74.3%
 Peak Candela Value: 1100@ 180°
 LSI Report: 52606



S12-P: 2 T8-EP
 Efficiency: 78.8%
 Peak Candela Value: 1167@ 145°
 LSI Report: 52611



CANDLEPOWER SUMMARY						
	0.0	22.5	45.0	67.5	90.0	Flux
0	19	19	19	19	19	
5	19	20	20	19	19	2
15	19	18	18	19	20	5
25	18	17	17	17	17	8
35	15	15	16	16	16	10
45	12	12	14	14	16	11
55	9	10	12	14	15	11
65	6	8	11	13	14	10
75	4	6	10	12	12	10
85	2	3	7	9	11	7
90	0	6	5	10	8	
95	29	243	191	155	120	226
105	121	462	995	1134	1173	810
115	225	430	874	1226	1379	821
125	319	456	713	991	1084	640
135	398	483	666	806	862	502
145	462	511	627	719	761	388
155	509	535	587	644	665	273
165	541	552	569	587	592	161
175	557	560	561	562	561	54
180	559	559	559	559	559	

CANDLEPOWER SUMMARY						
	0	22.5	45	67.5	90	Flux
0	108	108	108	108	108	
5	108	108	108	107	105	10
15	100	101	104	107	106	29
25	86	90	93	96	94	43
35	68	74	76	81	80	48
45	47	54	58	65	65	45
55	27	35	42	50	51	37
65	14	20	27	36	38	27
75	6	10	15	23	25	17
85	1	5	8	13	14	9
90	0	2	6	8	10	
95	37	149	162	192	170	171
105	208	302	480	565	580	458
115	397	445	592	733	771	582
125	579	602	690	784	826	624
135	746	754	802	861	884	624
145	878	884	901	937	951	571
155	990	992	989	1000	1008	460
165	1065	1067	1060	1059	1060	300
175	1100	1103	1095	1092	1093	104
180	1100	1100	1100	1100	1100	

CANDLEPOWER SUMMARY						
	0	22.5	45	67.5	90	Flux
0	68	68	68	68	68	
5	69	69	69	68	66	6
15	63	64	68	69	68	19
25	55	58	61	62	61	27
35	43	48	49	52	51	31
45	31	35	38	42	41	29
55	18	23	28	33	33	24
65	10	13	18	24	24	18
75	4	7	11	15	16	11
85	1	4	6	9	9	6
90	0	2	4	4	6	
95	30	141	163	177	163	161
105	165	382	508	561	578	480
115	323	531	748	845	866	673
125	484	668	868	1027	1073	746
135	630	781	957	1080	1137	716
145	758	881	1000	1108	1167	619
155	856	945	1023	1090	1127	468
165	926	969	1020	1053	1073	286
175	957	965	972	976	983	93
180	958	958	958	958	958	

— Refer to www.finelite.com for additional photometry and product information.

SPECIFICATIONS

CONSTRUCTION: Body is 20-gauge die-formed steel with 18-gauge die-formed internal joiner system, plug-together wiring standard. All components are hard-tooled to tolerances of 0.010". Precision-punched 0.093" diameter perforations cover the bottom side of the fixture in two parallel columns.

ENDCAPS: (FE) Flat endcap standard, 20 gauge die-formed steel, adds 0.1" at each end.

Optional: (CE) Curved endcap, aluminum die-cast endcap with 0.100" reveal, adds 5.0" at each end.

REFLECTORS: Two reflector systems are available. Die-formed pre-painted aluminum, (91W). Optional: Extended Performance Reflector System (EP). (WSO) Wide Spread Optic system for 1 T5HO.

ACCESSORY: Optional Dust Cover, clear acrylic, T8 lamps only. NOTE: Will significantly impact light level performance. Consult Factory.

ACCESSORY: Optional Clearperf Lens™, factory installed, semi-translucent opal acrylic, UV stable, covers perforations inside fixture. Standard with T5HO lamps. NOTE: Impacts light level performance. Contact Factory.

ELECTRICAL: 120 or 277V prewired. Fixture and electrical components are UL/C-UL listed and fixture will bear UL/C-UL labels. Optional Adders 347V ballast, prewired dual circuit, emergency circuits, emergency battery packs.

LAMPING: Available in 2, 3, or 4 T8 lamp cross sections or 1, 2, or 3 T5 or T5HO. Contact factory for 1 T8 lamp cross section.

BALLAST: Electronic instant-start ballast <10% THD, 0.88 BF standard for T8 lamps. Electronic rapid-start ballasts <10% THD, 1.0 BF standard for T5/T5HO lamps. Optional adders: rapid-start ballasts (standard for T5/T5HO), 347V, emergency battery packs, dimming ballasts (controls by others). Requires low-profile ballasts and battery packs.

MOUNTING OPTIONS: Semi-adjustable aircraft cable, (AC) ± 0.5" in lengths of 12", 15", 18", 21", 24", 27", 30", and 36". Order length, e.g., AC 18". Optional Adders: fully adjustable aircraft cable (FA) in lengths up to 150". Rigid stems (Stem).

SUPPORT CABLES: Plated steel cable and hardware.

FEED: 18 gauge straight cord. 14 gauge feed cord used when fixture current exceeds 6 amps. Optional Adders: Coil Cord Feed, Rigid Stem Feed.

FINISHES: Finelite Signal White standard. Optional Adders: 185 colors available from Tiger Drylac's RAL color chart.

LENGTHS: 4', 8', and 12' section lengths can be combined to make longer runs. Contact factory for additional lengths.

WEIGHT: Fixture weight = 2.6 to 3.6 lb/ft. with curved endcaps. Fixture weight 2.0 lb/ft. with flat endcaps.

WALL MOUNT: Complementary wall mount available.

LABELS: Fixture and electrical components are ETL listed conforming to UL 1598 in the U.S.A., and Canada; ETL listed to certified CAN/CSA C22.2 No. 250.0. Fixtures will bear ETL labels.