

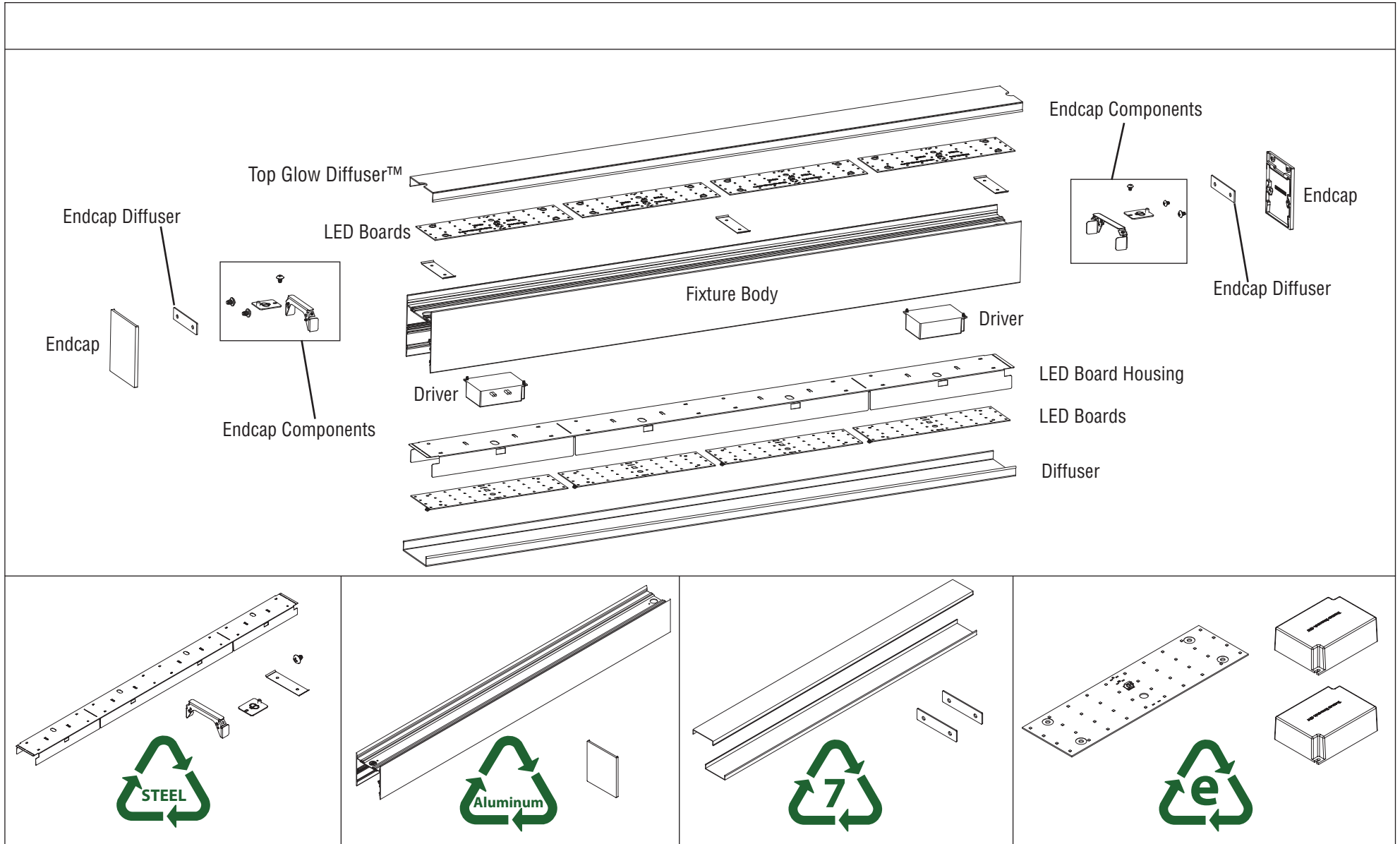
# HP-4 Indirect/Direct Recycling

## Disassembly Instructions

**FINELITE**  
Better Lighting

HP-4 ID breaks down easily for recycling at the end of usable life\*.

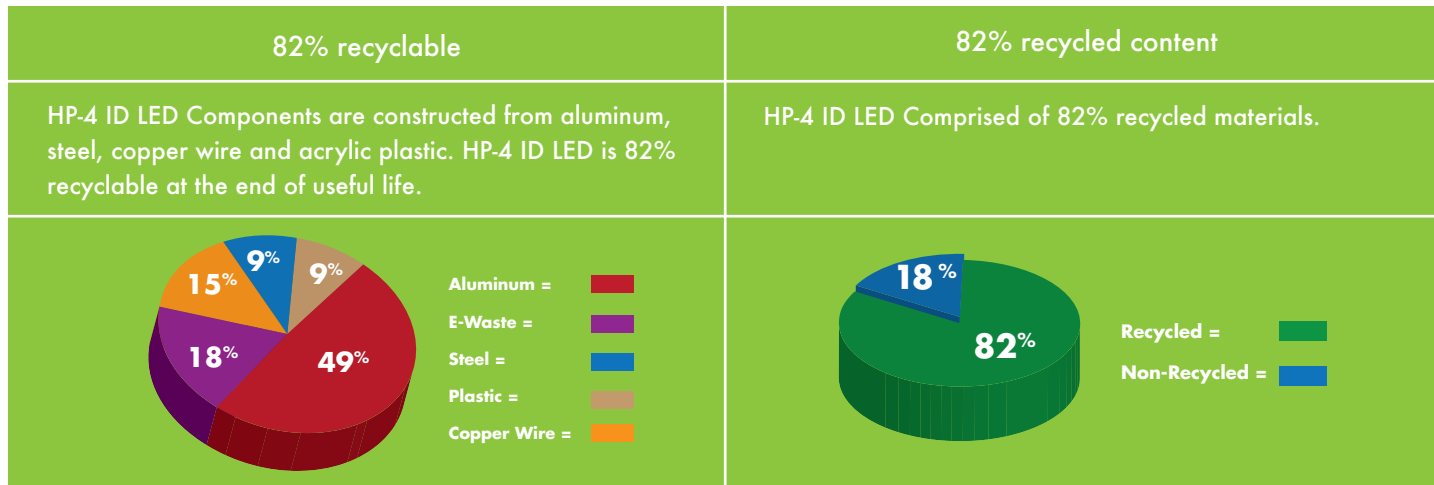
Protected by one or more US Patents: 8915613; D702,391; D702,390; D700,732



\* Recycling information typical for all luminaire sizes. Contact factory for more information.

# HP-4 ID Environmental Product Summary

HP-4 ID data shown



Due to continuing product improvements, Finelite reserves the right to change specifications without notice. Please visit [www.finelite.com](http://www.finelite.com) for most current data.