

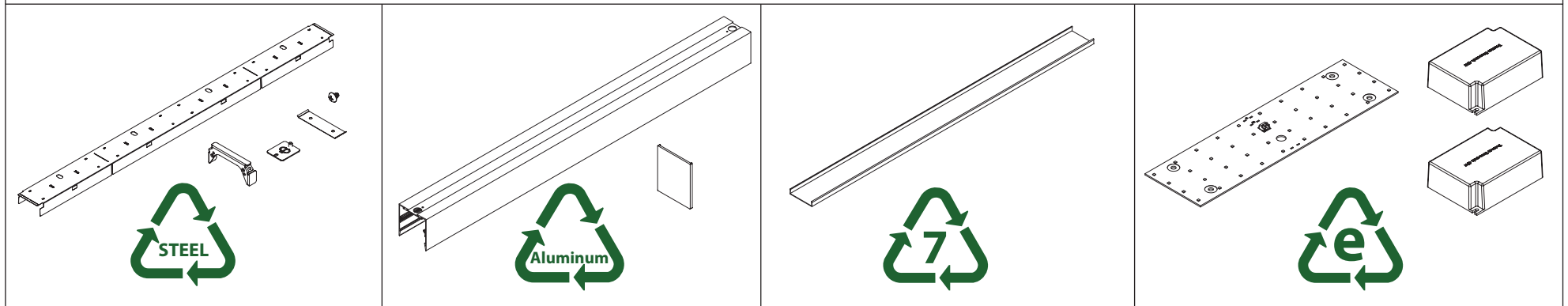
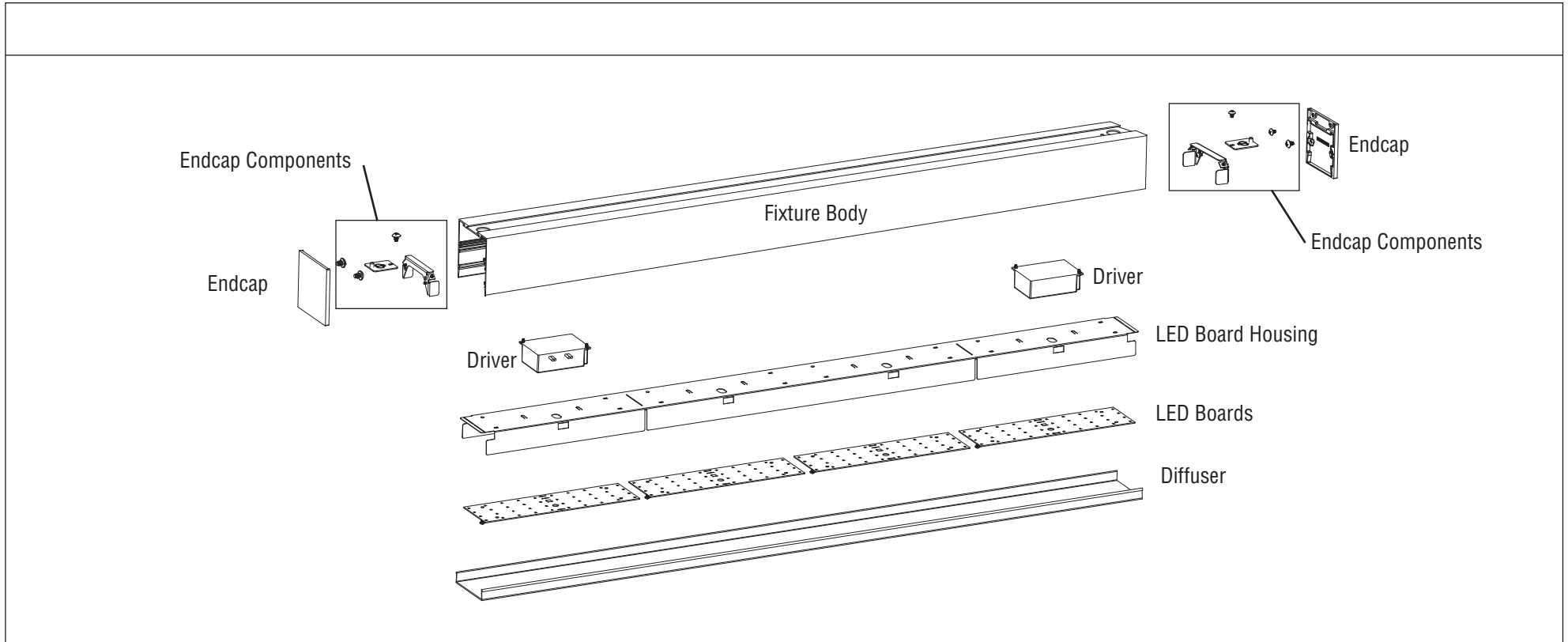
HP-4 Direct, Recessed, Regressed, and Surface Mount Recycling

FINELITE
Better Lighting

Disassembly Instructions

HP-4 D, R, RG, and SM breaks down easily for recycling at the end of usable life*.

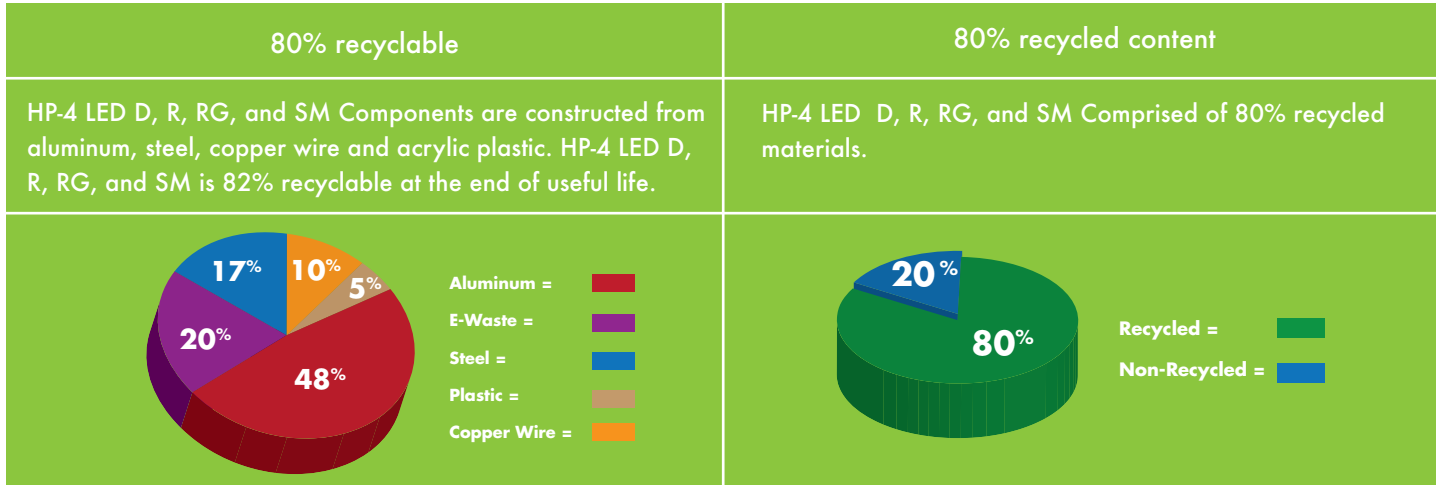
Protected by one or more US Patents: 8915613; D702,391; D702,390; D700,732



* Recycling information typical for all luminaire sizes. Contact factory for more information.

HP-4 Direct, Recessed, Regressed, and Surface Mount Recycling

HP-4 D, R, RG, and SM data shown



Due to continuing product improvements, Finelite reserves the right to change specifications without notice. Please visit www.finelite.com for most current data.