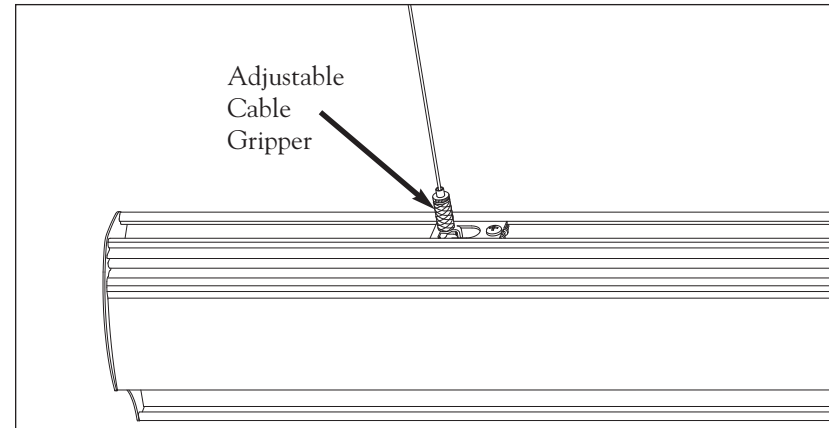


FINELITE

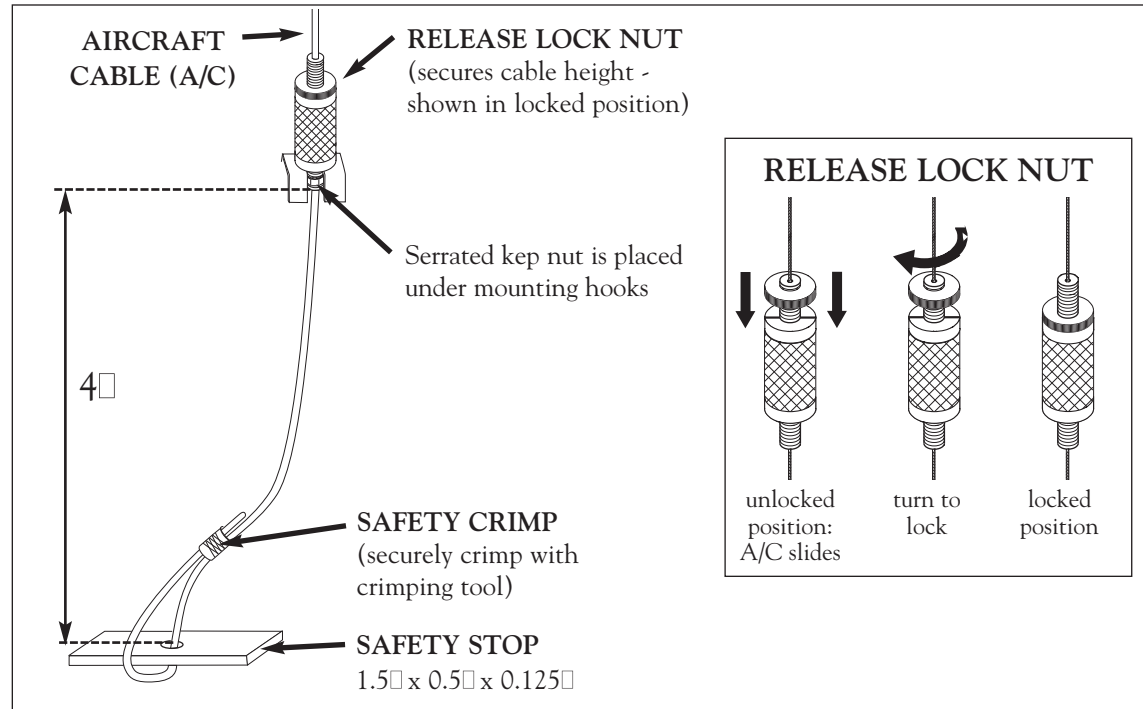
Series X2 Starter/Independent Instructions - (Fully Adjustable Cable Shown)

INSTALL MOUNTING CABLES

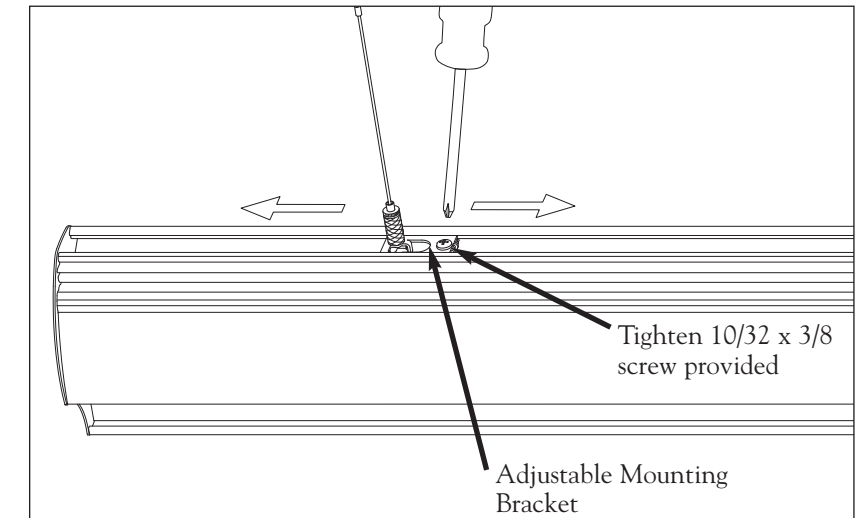


1. Position the serrated kep nut of the adjustable cable gripper under the mounting hooks, rotate up to sit securely on top of hook. Finger tighten kep nut until secure (avoid over-tightening). Depress release lock nut to adjust cable length, relock to secure. **NOTE: Luminaire opening should face the surface to be illuminated.**

GENERAL FA CABLE INSTRUCTIONS

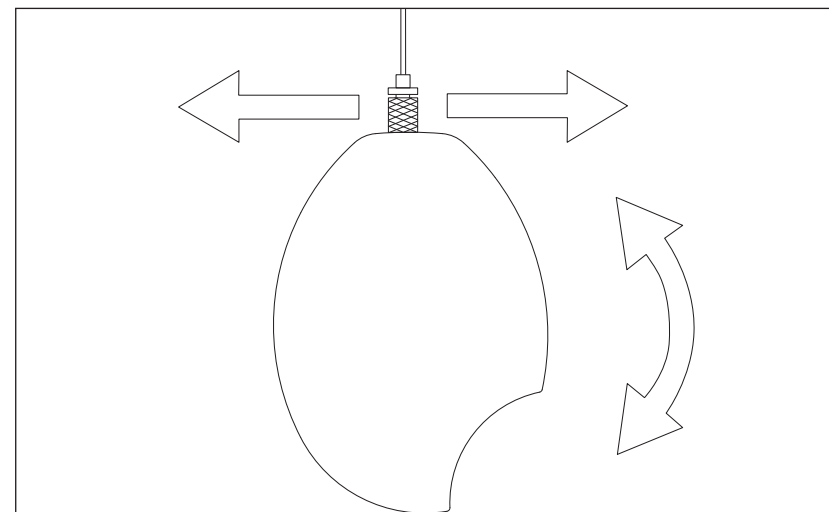


LOCK ADJUSTABLE BRACKETS



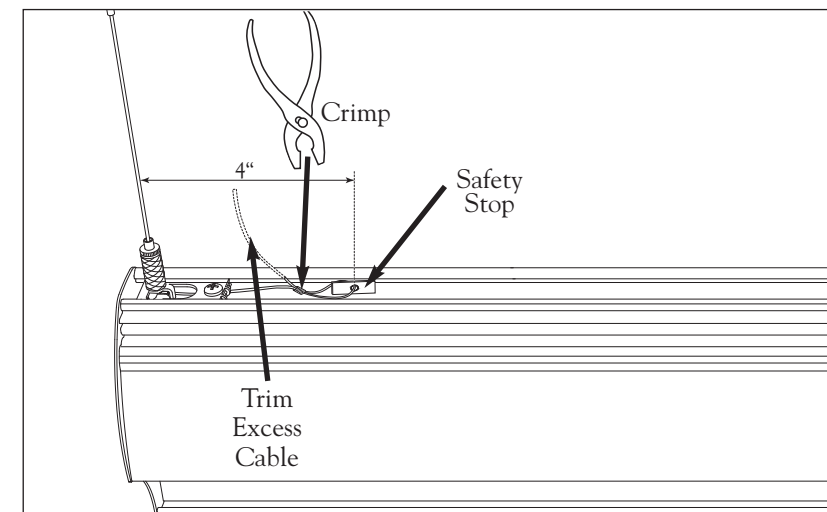
2. Adjustable mounting brackets can be secured in place once they are in position. Secure the position using one 10/32 x 3/8 screw (provided). Tighten until the bracket no longer moves.

FRONT TO BACK LEVELING



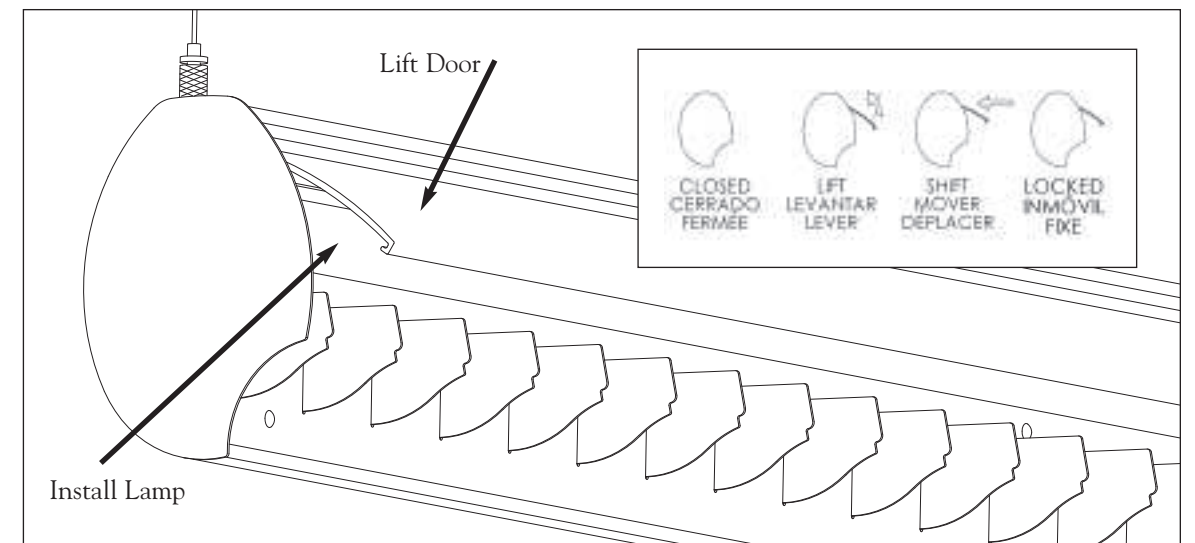
3. The cable gripper can be adjusted forward or backward, if necessary, to level the fixture front and back ensuring the best light distribution on vertical surface.

SECURE AND TRIM



4. Extend cable 4" out of cable gripper and slide safety stop and safety crimp up cable. Secure safety crimp with crimping tool. Trim excess cable and place neatly in channel.

LAMPING



4. Series X2 can be ordered with factory installed lamps. If lamps were not ordered, access the lamp compartment as shown above. Lift the door and shift it into the lock position. The movement should be smooth and easy. Do not force into position.