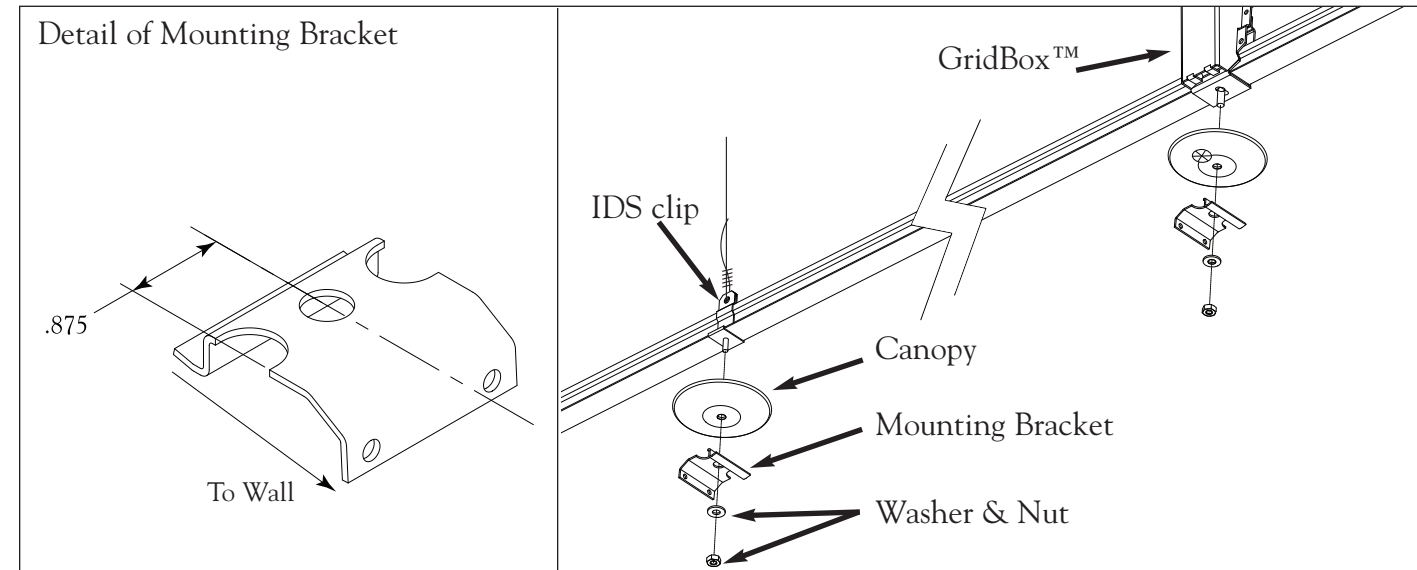


FINELITE

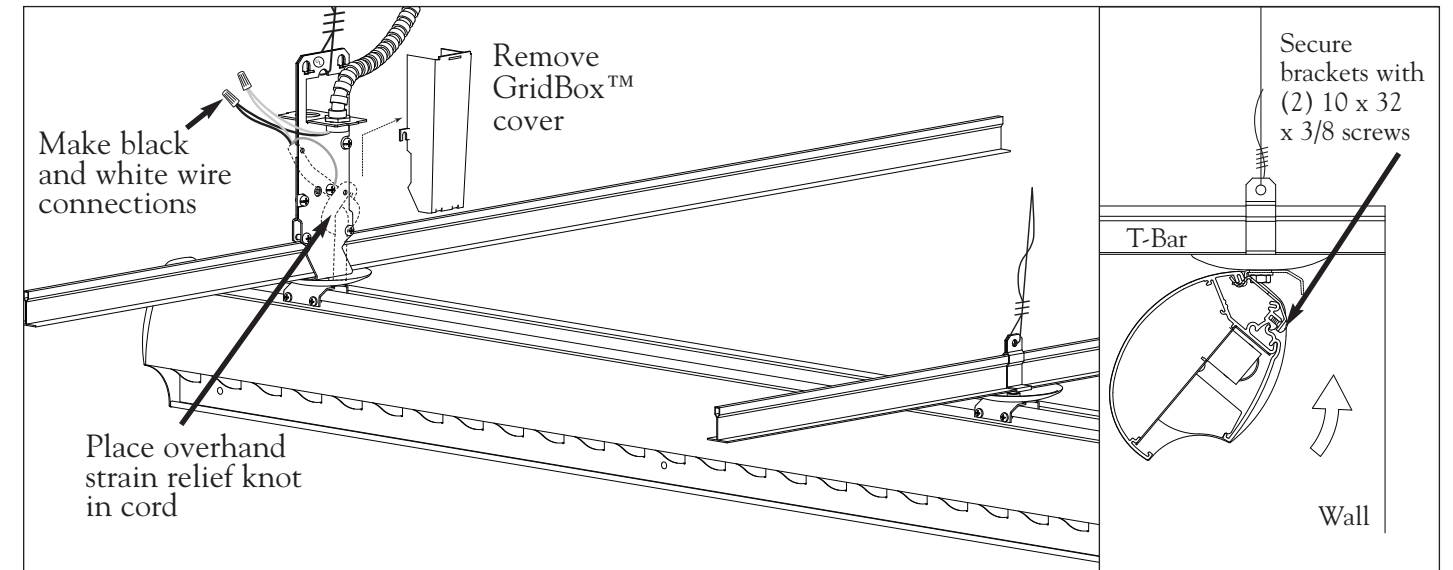
Series X2 Surface Mount Instructions

INSTALL SURFACE MOUNT BRACKETS



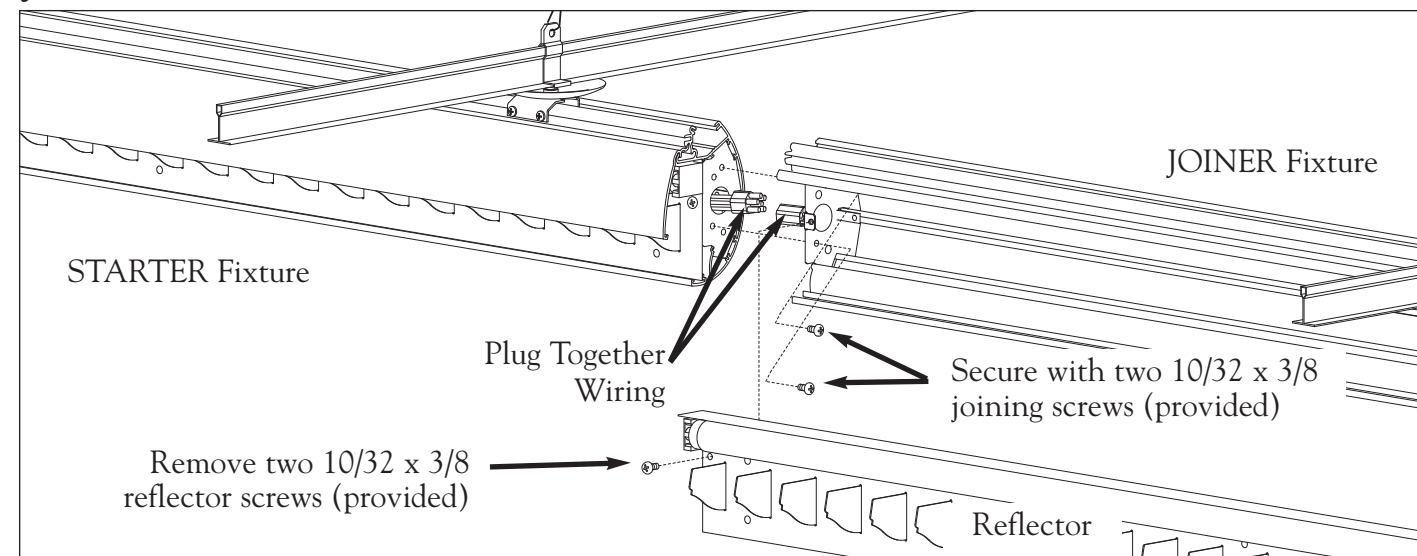
1. Install mounting brackets on T-Bar as shown. Screw holes should be facing the surface to be illuminated. We suggest positioning the bracket on T-Bar nearest to the end of fixture body and maintaining consistent spacing throughout.

INSTALL STARTER / INDEPENDENT FIXTURE



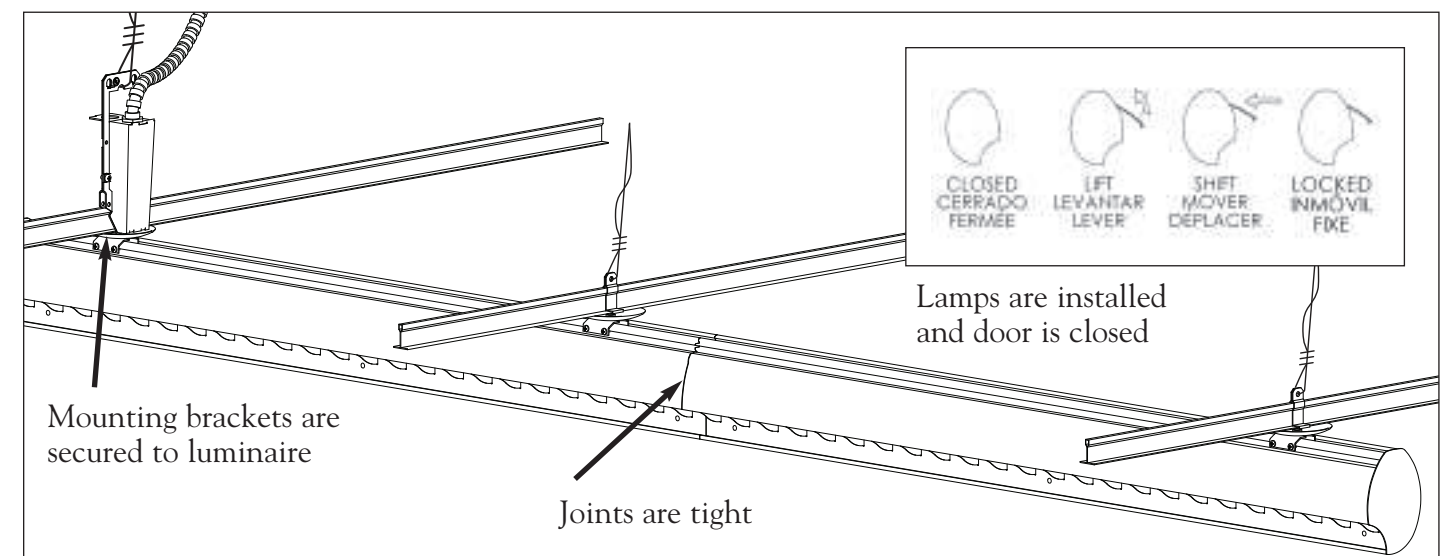
2. With a back-to-front motion, hang the luminaire on brackets. Secure brackets to fixture body with two 10/32 x 3/8 screws provided. Remove GridBox cover and make wire connections as shown above.

JOINING LUMINAIRES



3. Remove reflector of JOINER fixture by removing two screws. Connect plug together wiring and insert into cavity being careful not to pinch wires. Raise luminaire and position on mounting brackets as shown in Step 2. While providing support at both ends, slide JOINER against STARTER, and join with 10/32 x 3/8 screws (provided). Secure luminaire to mounting brackets using two screws shown in Step 2. Replace reflector and lamps.

INSTALL LAMPS - FINAL CHECK



4. Lift the door and shift into locked position. The movement should be smooth and easy. Do not force into position. Install lamps and shift door into closed position. FINAL CHECK - Mounting brackets are securely fastened to luminaire. Luminaire joints are tight. No wires are pinched. Lamp compartment door is in closed position.