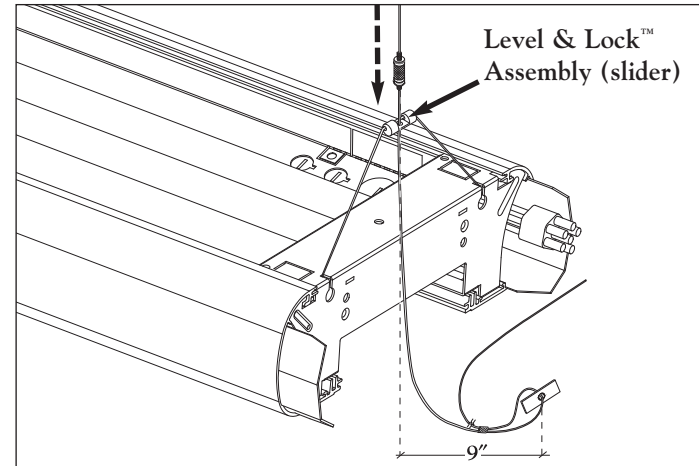


FINELITE

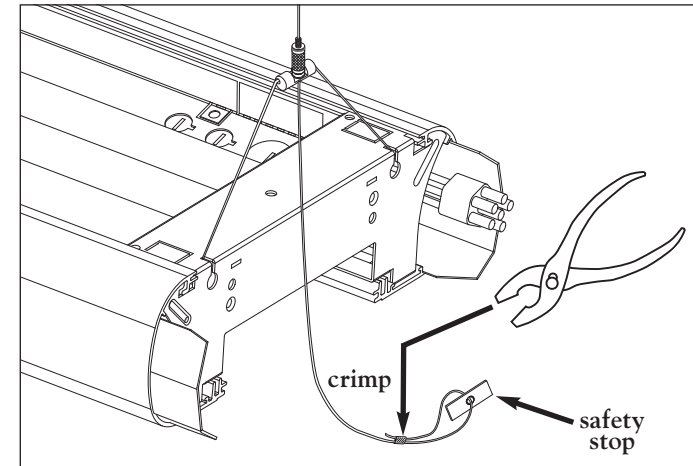
Series X1 Starter/Independent Instructions - (Fully Adjustable Cable Shown)

ADJUST & LEVEL



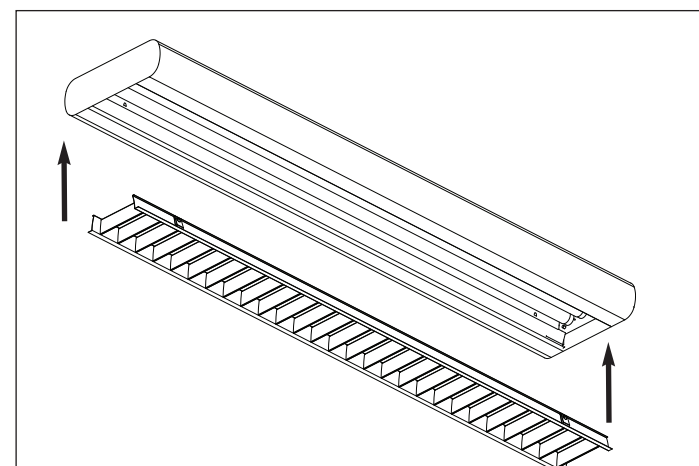
1. Position the adjustable cable gripper over the Level & Lock™ Assembly, turn to engage threads. Move slider for side to side leveling. Lock by turning cable gripper securely until serrated keps nut fits tightly against slider.

SECURE & TRIM



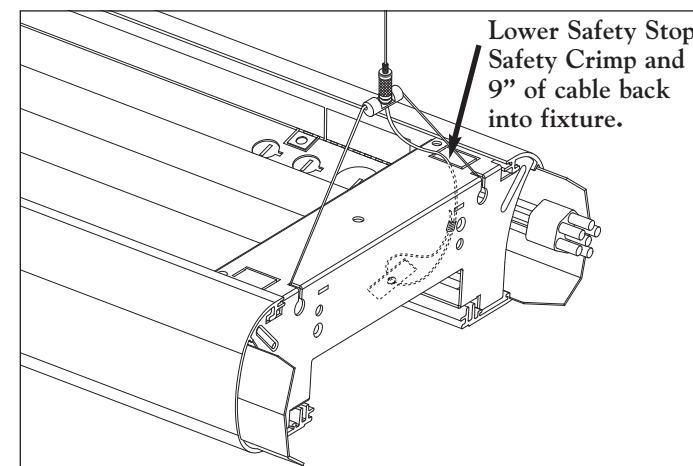
2. Unscrew release lock nut and depress to adjust cable height, turn to lock. Slide Safety Stop and Safety Crimp up to cable to within 9" of cable gripper. Secure Safety Crimp with crimping tool. Trim excess cable. Lower Safety Stop.

INSTALL LAMPS



3. Remove louver from below the fixture by applying even pressure downward on louver. Install lamps and re-install louver. Make sure the louver is flush with bottom of luminaire. Eliminate this step on your next job. Finelite will ship fixtures with lamps pre-installed.

FINAL CHECK



4. - Luminaire is level
 - Safety stop is installed as shown
 - Release lock nut is screwed down
 - Serrated keps nut is tight against slider and crimp is secured

ADJUSTABLE CABLE GRIPPER ASSEMBLY

