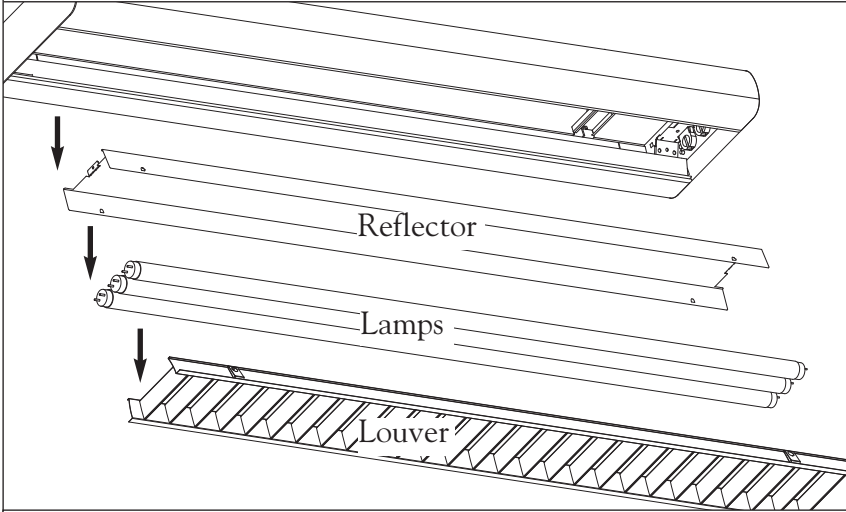


FINELITE

Series X1 Surface Mount Instructions

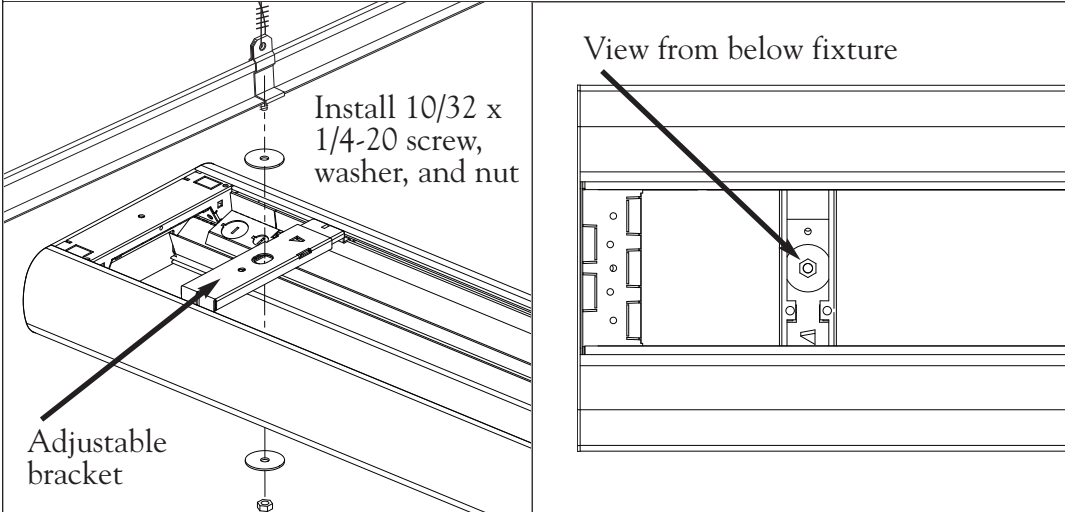
DO NOT attempt to join fixtures together on the floor. Damage may result when lifted. Follow these instructions.

GAIN ACCESS



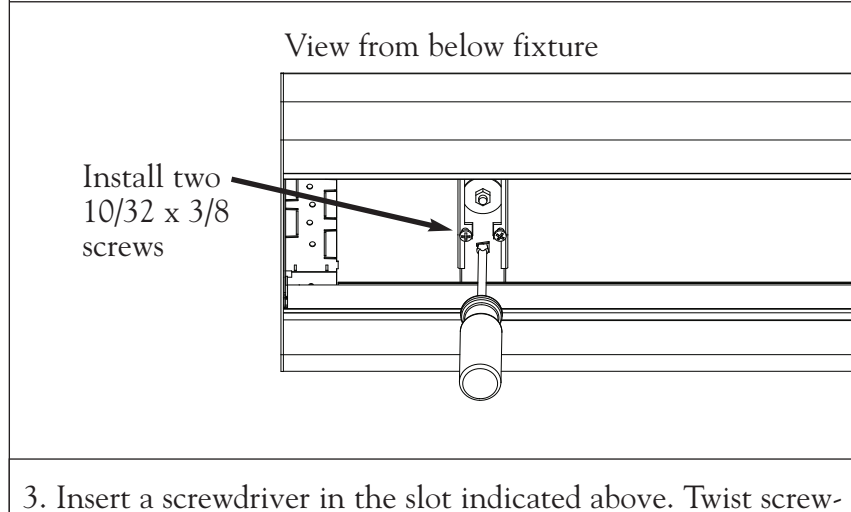
1. Remove louver, lamps, and upper reflector. To remove upper reflector, pinch sides until it fits through opening and pull through.

POSITION ADJUSTABLE BRACKETS ON STARTER



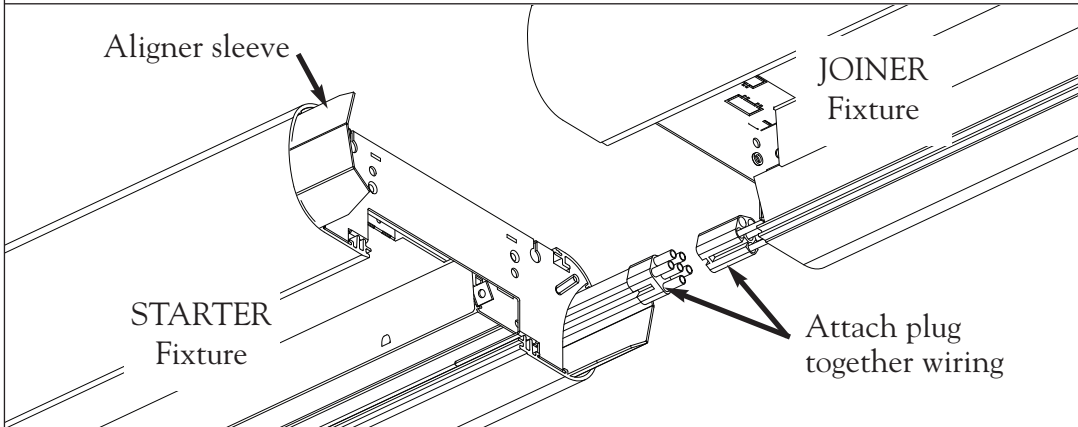
2. Position adjustable brackets over suspension point. Secure with 10/32 x 1/4-20 screw, washers and nut (provided).

LOCK ADJUSTABLE BRACKETS IN PLACE



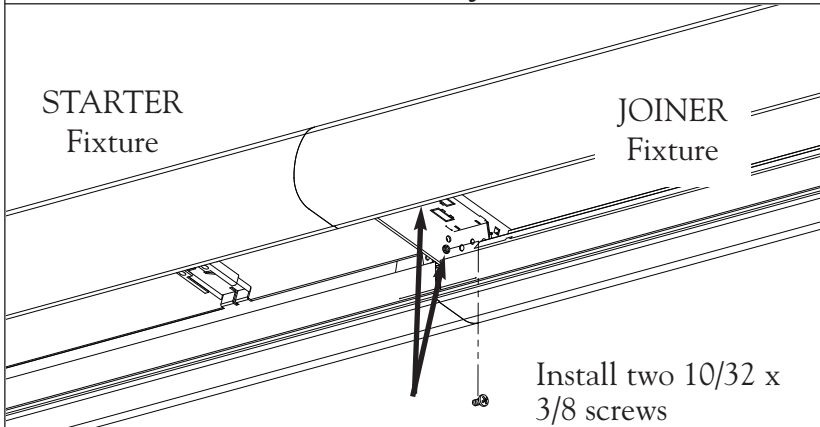
3. Insert a screwdriver in the slot indicated above. Twist screwdriver until screw holes align. Insert and fasten two 10/32 x 3/8 screws, locking brackets in place. **NOTE: This step must be completed to insure a safe installation.**

JOINING FIXTURE



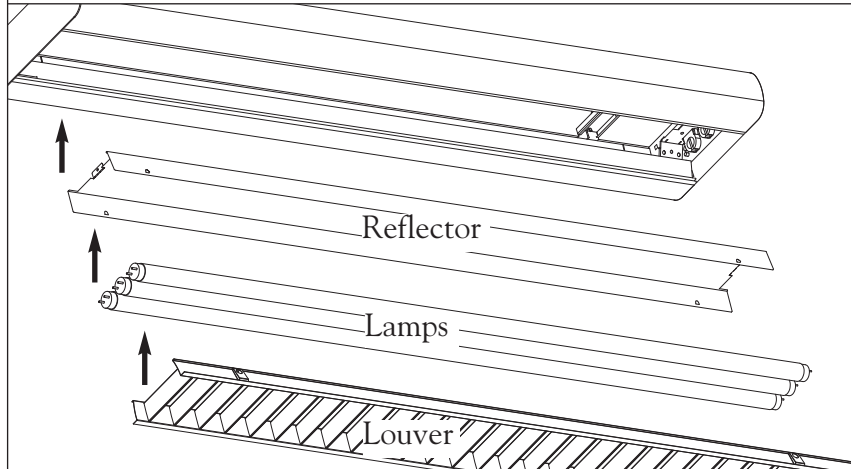
4. Adjustable bracket should be positioned at far end of JOINER. While supporting both ends, secure suspension point, but DO NOT lock adjustable bracket in place until fixtures are joined. Connect plug together wiring between STARTER and JOINER fixtures. Slide JOINER onto aligner sleeves. Tuck wiring into channel being careful not to pinch wires.

SECURING JOINTS



5. Two 10/32 x 3/8 screws are provided to secure luminaires together. Insert screws as shown above and secure with nuts (provided). Lock JOINER adjustable bracket in place as instructed in step 3 above.

REPLACE COMPONENTS



6. Replace upper reflector, lamps, and louver. To install upper reflector pinch sides until it fits through the opening and push through. make sure the lower louver fits tight to the fixture bottom.