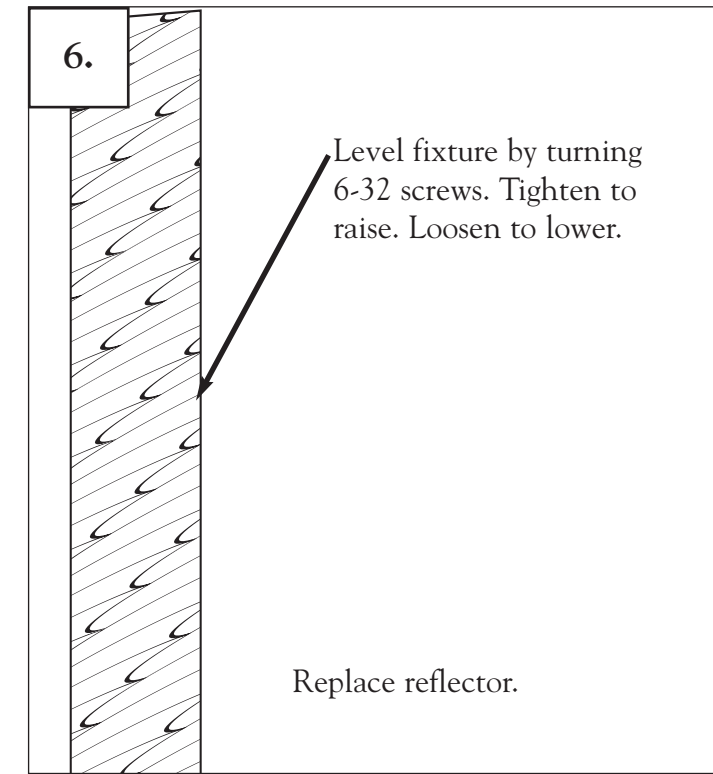
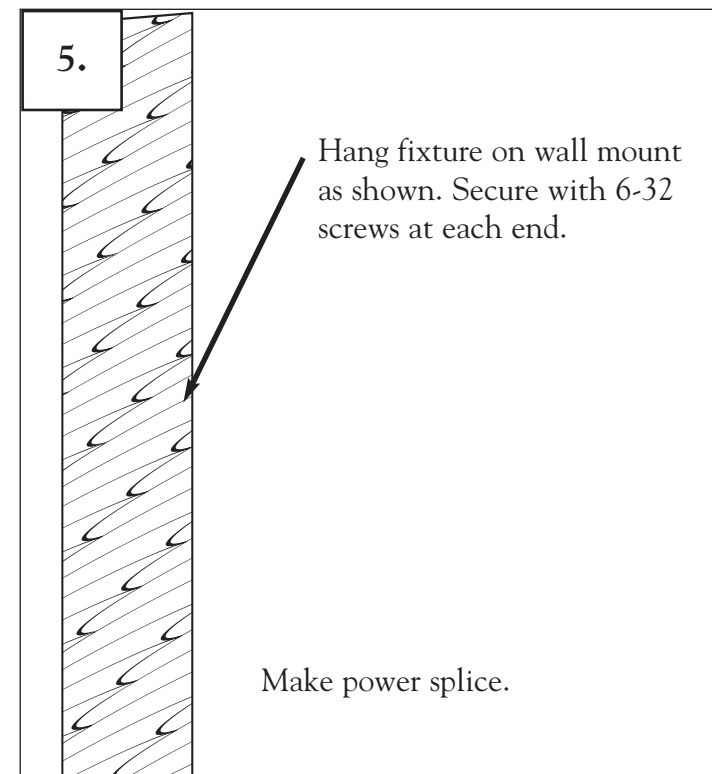
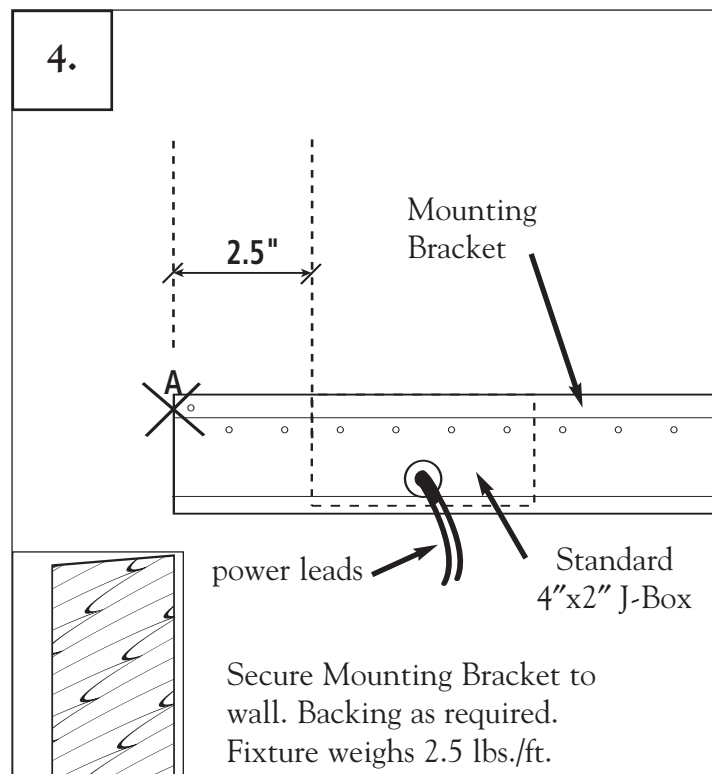
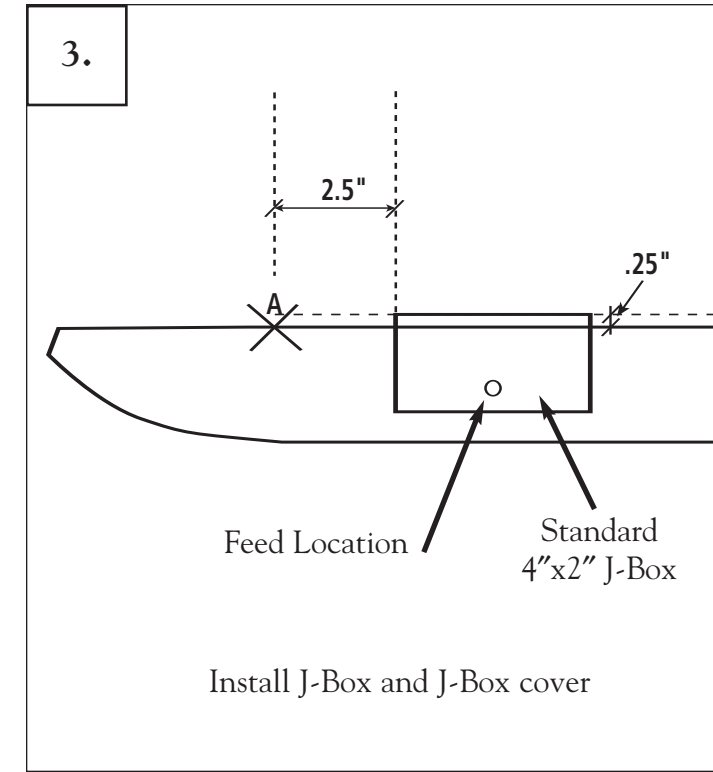
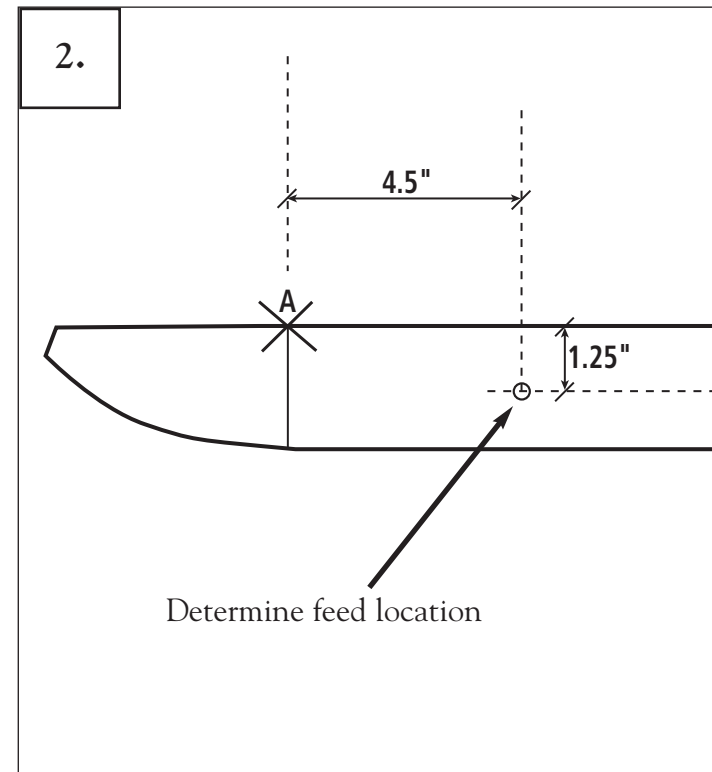
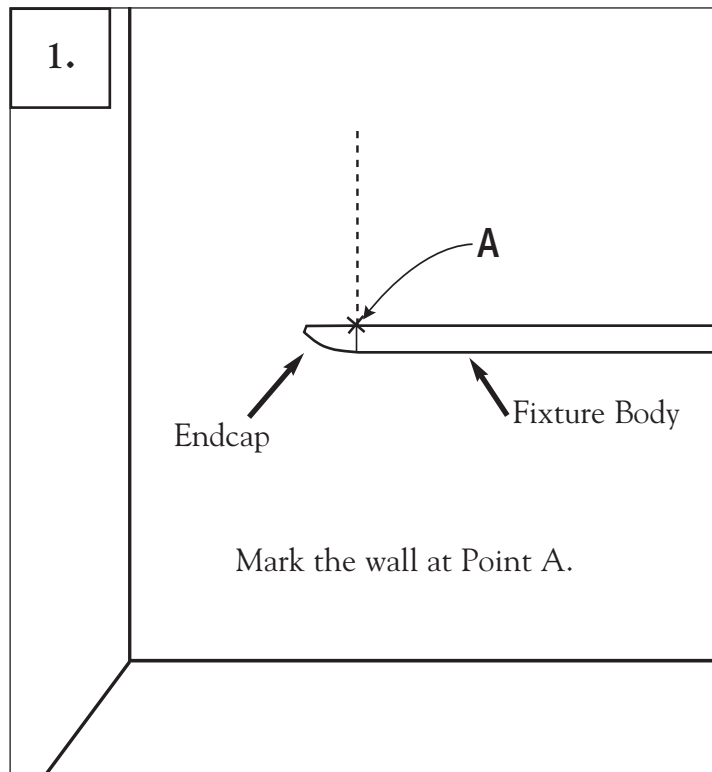


FINELITE

Series 5 Wall Mount Installation Instructions

INSTRUCTIONS



1. Position fixture on wall in desired location. Mark on wall the point where the endcap and the fixture body meet. This is Point A. Remove fixture.
2. Determine feed location by measuring a horizontal line 4.5" from Point A toward center of fixture, then 1.25" downward. Mark this spot for feed.
3. Install 4"x2" J-Box centering box over feed location and aligning top of box .25" above Point A. Install special J-Box cover (provided by Finelite) leaving 8-10" of power wire exposed.
4. Position wall mount bracket so feed hole is aligned with J-Box feed and pull wire leads through. Secure one side of wall mount bracket to the wall. Use a torpedo level and secure opposite side of wall mount bracket to wall.
5. Remove reflector from fixture. Mount fixture on bracket while extending power leads through the hole. Secure fixture to wall bracket by using two 6/32 screws provided by Finelite.
6. Make splice in feed and reinstall reflector. Use 6/32 screws to level fixture at each end. **NOTE:** Tighten adjustment screws to raise fixture. Loosen adjustment screws to lower fixture.

Series 5 Wall Mount Installation Instructions