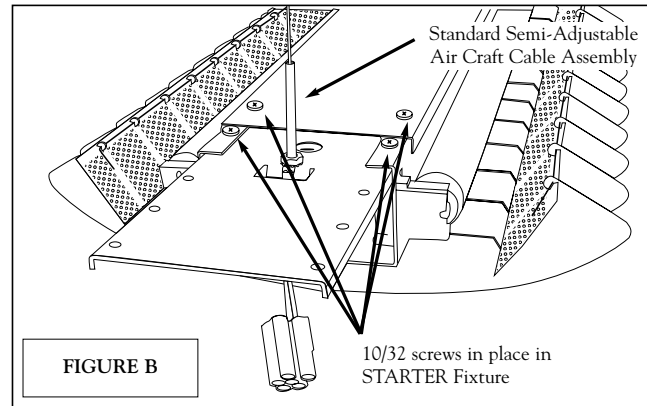
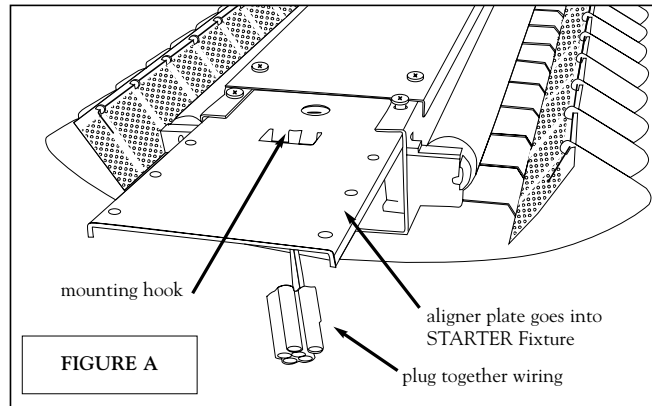


FINELITE

Series 2 Joining Instructions (Semi-Adjustable Cable)*

DO NOT attempt to join fixtures together on the floor. Damage may result when lifted. Follow these instructions.

INSTRUCTIONS



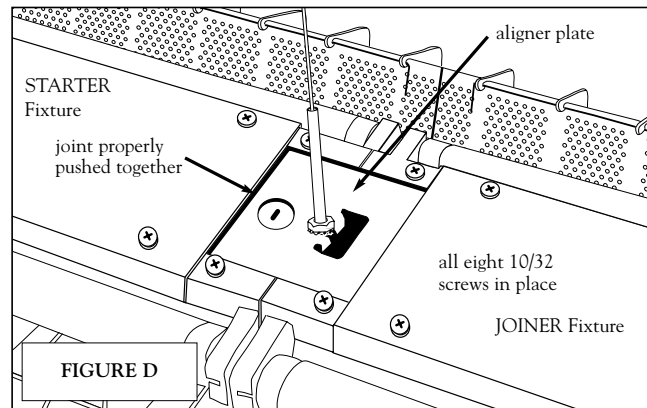
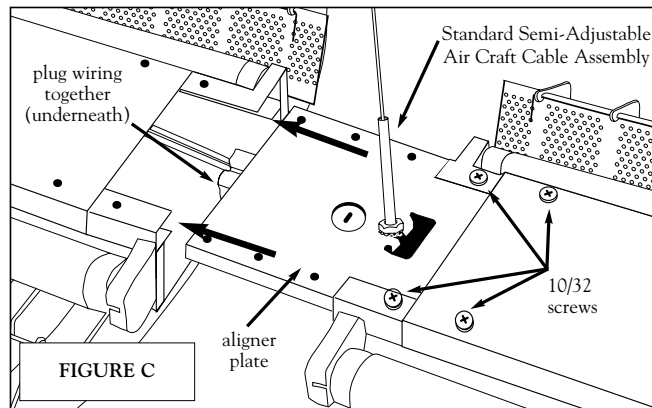
STEP 1. Hang STARTER Fixture: at endcap end of fixture place bottom kep nut of Air Craft Cable assembly under mounting hook, rotate up to sit securely on mounting hook, tighten securely (avoid over-tightening).

STEP 2. While supporting fixture, slide aligner plate into fixture (be sure mounting hook is facing down), and securely fasten with **four** 10/32 screws (provided) **FIGURE A.**

STEP 3. Connect Air Craft Cable assembly, as described in STEP 1, into aligner plate at joint end of STARTER Fixture. **FIGURE B.**

STEP 4. Hang far end of JOINER Fixture while supporting both ends. Connect plug together wiring between STARTER and JOINER Fixtures. Slide JOINER Fixture onto aligner plate. Push fixtures together. **FIGURE C.**

STEP 5. Secure aligner plate with **four** 10/32 screws (provided) to complete connection. **FIGURE D.**



FINAL CHECK—FIGURE D.

- Air Craft Cable assembly sits securely on mounting hook, bottom kep nut is tight.
- Plug together wiring is connected.
- **Eight** 10/32 screws have been installed and are tightly in place in the aligner plate.

Repeat for remaining JOINER and ENDER fixtures to complete row.

* Pictured with Standard Semi-Adjustable Air Craft Cable Assembly. See additional instructions for Fully Adjustable Air Craft Cable hardware.

Finelite, Inc. ◊ 30500 Whipple Road ◊ Union City, CA 94587-1530 ◊ 510 / 441-1100 ◊ FAX: 510 / 441-1510 ◊ www.finelite.com