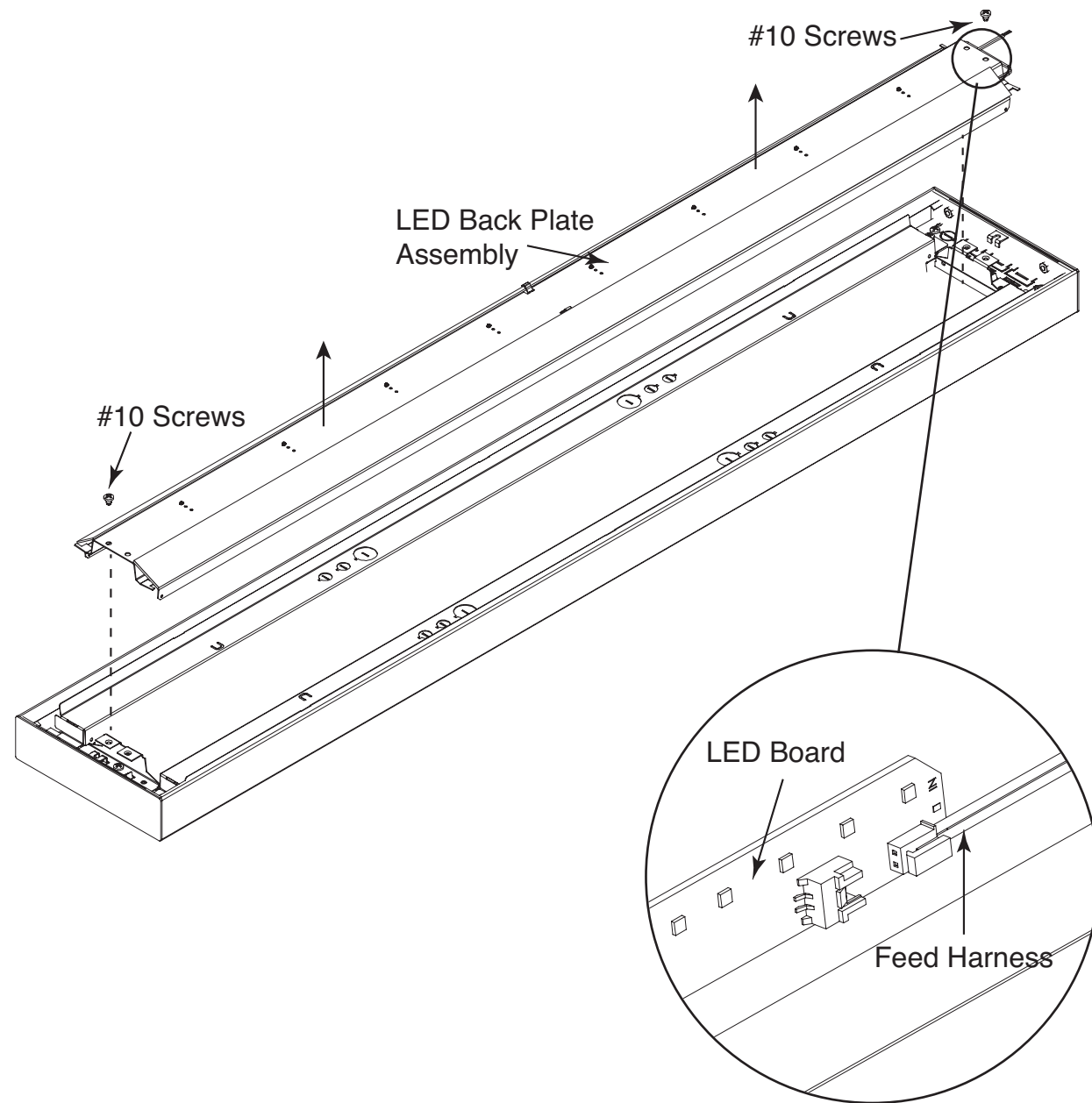


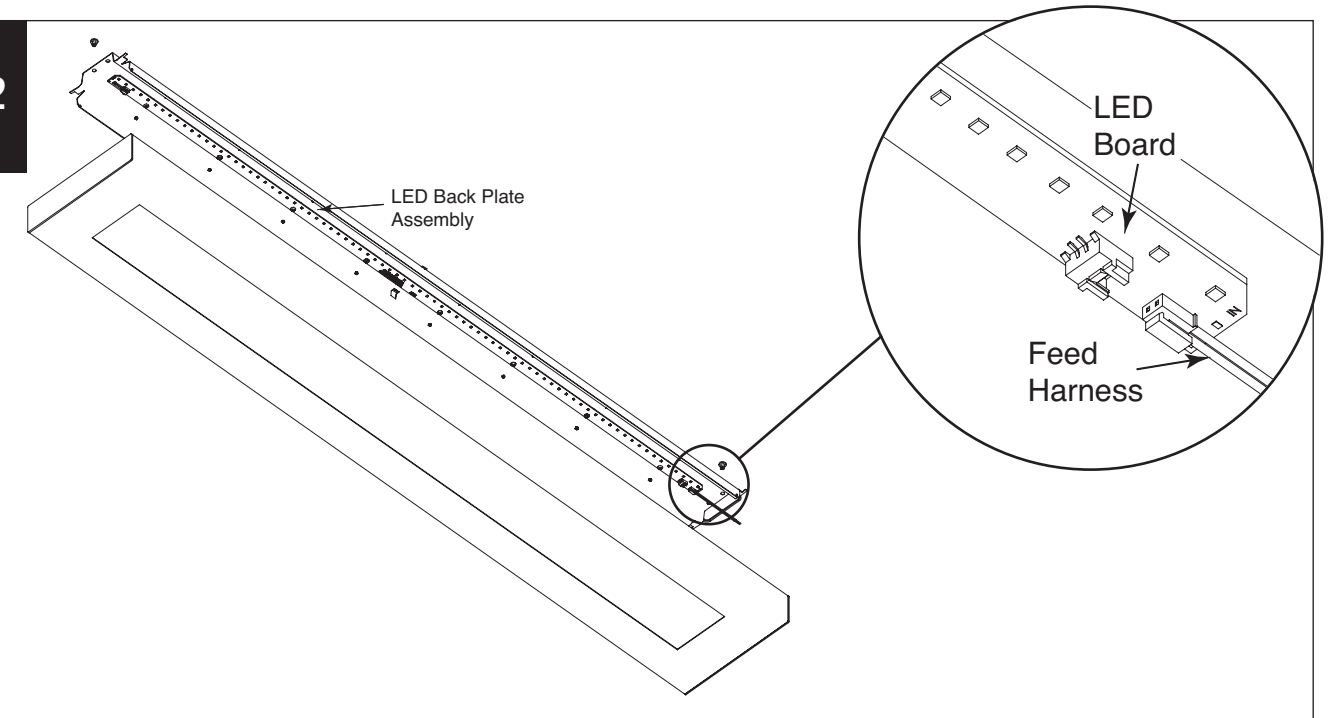
S16 LED 3E Driver Replacement Installation Instructions

Step 1



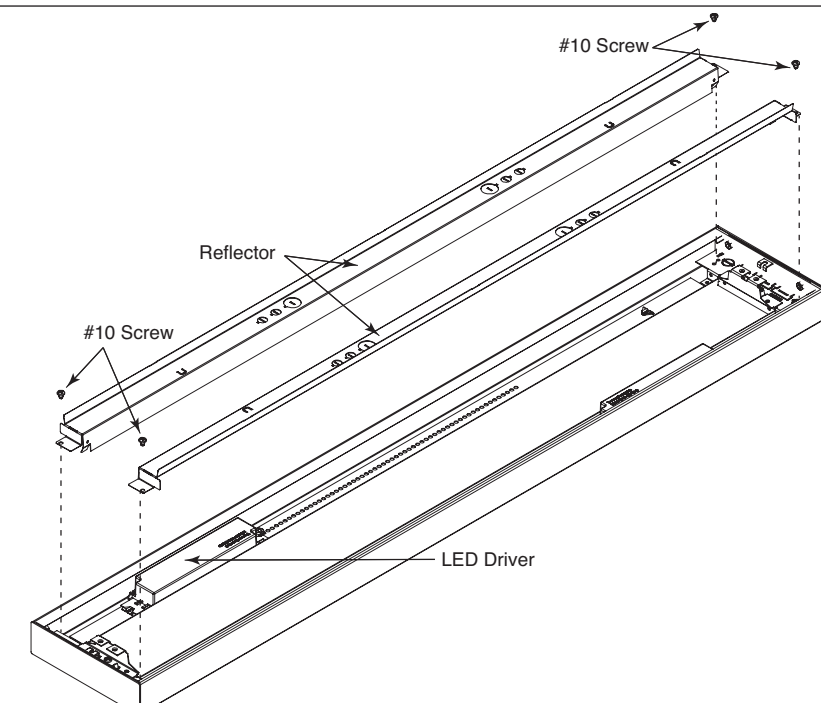
Unplug feed harness from top LED board. Remove #10 screws on both ends of back plate. Gently remove back plate assembly.

Step 2



Disconnect feed harness from bottom LED board, then set back plate assembly aside.

Step 3



Remove #10 screws on both ends of reflectors. Remove reflectors to access LED driver(s). Remove 2 #10 screws that secure the LED driver(s) and replace with new driver(s). Reverse steps to reassemble fixture.